

SPARE PARTS LIST

MODEL NO. VC3210L

ITEM	PART NO.	DESCRIPTION	QTY	NOTE
001	452451-7	BASE HOOK	1	
002	266053-1	SURUB	3	
003	140751-4	COWLING COMPLETE INC. 4-6	1	
004	451340-3	GRIP	1	
005	891977-8	CAUTION LABEL	1	
006	423393-2	TOP DAMPER	1	
007	266060-4	TAPPING SCREW 4X65	3	
008	869061-7	VC3210L NAME PLATE	1	
009	265995-6	SURUB 4X18	2	
010	451343-7	SWITCH HOLDER	1	
011	*****	*****	***	*****
012	*****	*****	***	*****
013	631922-9	SUB CONTROLLER	1	
014	961013-5	INEL BLOCARE E-7	1	
015	961062-2	STOP RING E-12 KP312S	1	
017	*****	*****	***	*****
018	685740-7	RUBBER SHEET	1	
019	140742-5	SWITCH BASE COMPLETE INC. 24	1	
024	891982-5	CAUTION LABEL	1	
025	213054-0	O RING 9 AN901	1	
026	451344-5	SWITCH DIAL	1	
027	213176-6	O RING 14	1	
028	451342-9	SWITCH LEVER	1	
030	266630-9	+COUNTERSUNK TAPPING SCREW4X16	4	
031	620033-5	CONTROLLER	1	
032	695350-2	POWER SUPPLY CORD 1.5-3-5.0	1	
033	682575-7	CORD GUARD 12-90	1	
034	265999-8	SURUB 4X25	2	
035	687149-9	STRAIN RELIEF	1	
036	688131-1	FILTRU INEL MT240/HM1810	2	
037	140254-8	SEPARATOR COMPLETE INC. 38	1	
038	423395-8	BOTTOM DAMPER	1	
039	423279-0	SEAL RING 70	1	
040	451338-0	MOTOR COVER	1	
041	241512-6	FAN 62	1	
042	424228-0	RUBBER RING 120	1	
043	125876-5	MOTOR ASSEMBLY INC. 44-50,52,54,55	1	
044	911283-6	PAN HEAD SCREW M5X60	2	
045	195483-8	CARBON BRUSH CB-173	1	
046	452106-4	ENDBELL	1	
047	643610-6	BRUSH HOLDER 6.5X13.5	2	
048	911118-1	SURUB M4X12	2	
049	687010-0	BAND LF1000,JS3200	1	
050	267715-4	WAVE WASHER 20	1	
051	211092-6	RULMENT 629DDW	1	
052	517849-6	ARMATURE ASS'Y 240V INC. 51,53	1	
053	211087-9	RULMENT 6200DDW	1	
054	526204-1	FIELD ASS'Y 240V	1	
055	*****	*****	***	*****
056	316795-8	FLANGE	1	
057	241910-4	FAN 125	1	
058	325747-8	SPACER	1	
059	346114-4	RETURN VANE	1	
060	241910-4	FAN 125	1	
061	316799-0	FLAT WASHER 10	1	
062	931403-6	PIULITA M8	1	

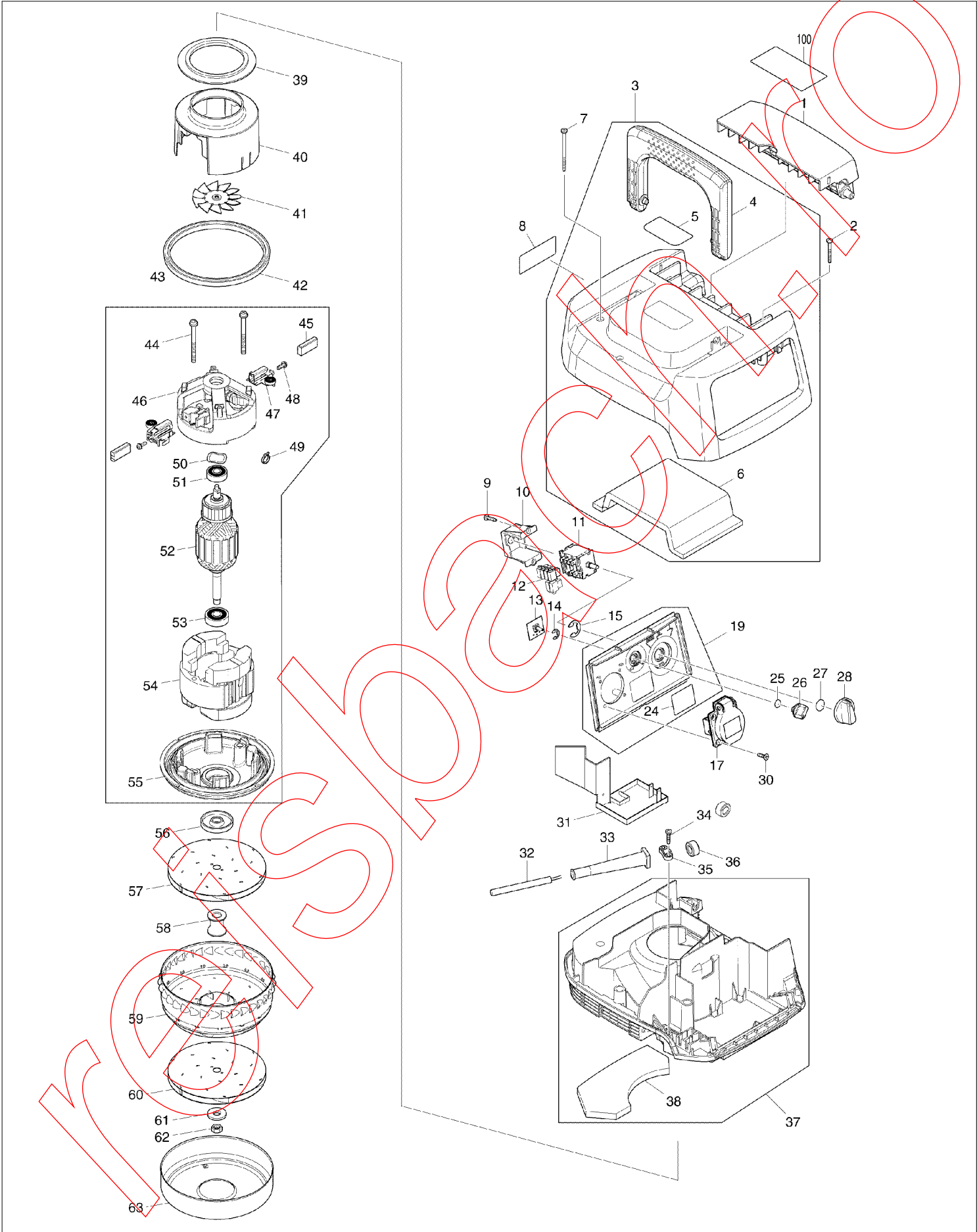
SPARE PARTS LIST

MODEL NO. VC3210L

ITEM	PART NO.	DESCRIPTION	QTY	NOTE
063	346115-2	FAN COVER	1	
064	424229-8	SUPPORT RING	1	
065	423396-6	REAR BLOCK FILTER	1	
066	423399-0	SIDE BLOCK FILTER	1	
067	423397-4	BAND DAMPER	1	
068	451544-7	TANK COVER	1	
071	195441-4	POWDER FILTER SET	1	
072	424377-3	DAMPER	1	
073	*****	*****	***	*****
074	424270-1	BUMPER	1	
075	266257-5	SURUB 4X28	3	
076	417587-9	HOLDER PLATE	1	
077	451455-6	HOLDER	1	
078	266192-7	SURUB AUTOFILETANT 4x14	4	
079	266192-7	SURUB AUTOFILETANT 4x14	4	
080	168537-4	HOOK	2	
081	451545-5	HOOK SUPPORTER	2	
082	188824-5	TANK SET INC. 86,89	1	
083	451546-3	INLET COVER	1	
084	213655-4	O RING 56	1	
085	451454-8	INLET	1	
086	424346-4	RUBBER RING T	1	
087	649150-2	EARTH LINE 120	1	
088	911103-4	SURUB M4X6	1	
089	911118-1	SURUB M4X12	1	
090	451643-5	WHEEL CAP	2	
091	961060-6	SAIBA DE SIGURANTA S-20	2	
092	267299-2	SAIBA PLATA 20	2	
093	451642-7	CASTER 170	2	
094	331888-0	JOINT PIPE 20-350	1	
095	168547-1	CASTER 75	1	
096	141019-1	FLOAT COMPLETE	1	
097	452446-0	FLOAT CAGE	1	
098	265999-8	SURUB 4X25	3	
099	424382-0	RUBBER HOLDER	1	
100	891978-6	CAUTION LABEL	1	
A01	195433-3	HOSE COMPLETE 28-3.5 SET INC. A02,A03	1	
A02	417765-1	FRONT CUFF 22	1	
A03	424379-9	FRONT CUFF 24	1	
A04	417764-3	HOLDER 10-33	4	
A05	195440-6	POLY BAG SET	1	
A06	195439-1	CLEANING SET INC. A07-A10	1	
A07	195434-1	HOSE COMPLETE 38-2.5 SET	1	
A08	192563-1	STRAIGHT PIPE	1	
A09	192562-3	BENDING PIPE	1	
A10	410306-2	CORNER NOZZLE	1	
A11	451350-0	STOPPER	1	
A12	911138-5	SURUB M4X20	1	

SERVICE DRAWING

MODEL NO. VC3210L



SERVICE DRAWING

MODEL NO. VC3210L

