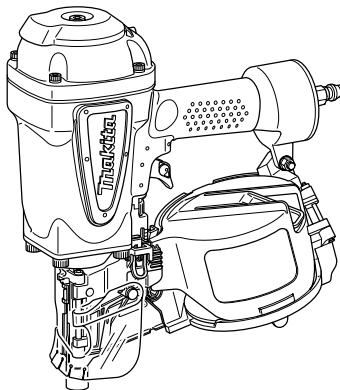
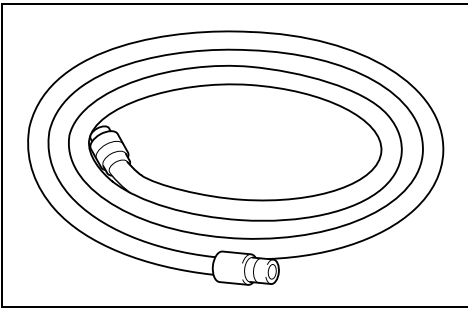




<b>GB</b>	<b>Construction Coil Nailer</b>	<b>Instruction Manual</b>
<b>F</b>	<b>Pistolet Clouer</b>	<b>Manuel d'instructions</b>
<b>D</b>	<b>Coilnagler</b>	<b>Gebrauchsanleitung</b>
<b>I</b>	<b>Chiodatrice a bobina per costruzioni</b>	<b>Manuale di istruzioni</b>
<b>NL</b>	<b>Rolnagelpistool</b>	<b>Gebruiksaanwijzing</b>
<b>E</b>	<b>Clavadora Neumática de Carrete</b>	<b>Manual de instrucciones</b>
<b>P</b>	<b>Pregador Pneumático</b>	<b>Manual de instruções</b>
<b>S</b>	<b>Rundbandad spikpistol</b>	<b>Bruksanvisning</b>
<b>N</b>	<b>Spikerpistol for konstruksjon</b>	<b>Bruksanvisning</b>
<b>FIN</b>	<b>Rakennusrullanaulain</b>	<b>Käyttöohje</b>
<b>LV</b>	<b>Celtniecības spoles naglotājs</b>	<b>Lietošanas rokasgrāmata</b>
<b>LT</b>	<b>Statybinis ritininis vinių kaltuvas</b>	<b>Naudojimo instrukcija</b>
<b>EE</b>	<b>Ehitusnaelapüstol</b>	<b>Kasutusjuhend</b>
<b>RU</b>	<b>Барабанный нейлер</b>	<b>Инструкция по эксплуатации</b>
<b>PL</b>	<b>Gwoździarka pneumatyczna</b>	<b>Instrukcja obsługi</b>
<b>CZ</b>	<b>Hřebíkovačka se zásobníkem</b>	<b>Návod k použití</b>
<b>SK</b>	<b>Stavebná pneumatická klincovačka</b>	<b>Návod na obsluhu</b>
<b>HU</b>	<b>Építőipari szögvelő</b>	<b>Használati útmutató</b>
<b>CS</b>	<b>建筑用卷钉枪</b>	<b>使用说明书</b>
<b>KR</b>	<b>원형 네일러</b>	<b>사용 설명서</b>

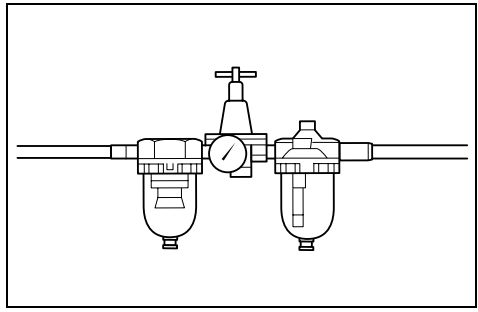
**AN902**





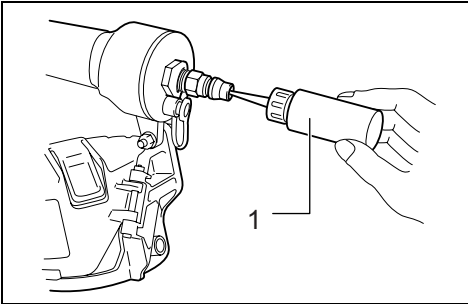
1

004294



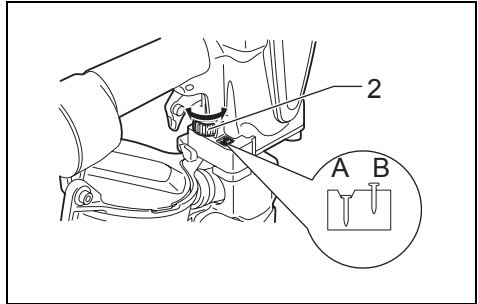
2

004295



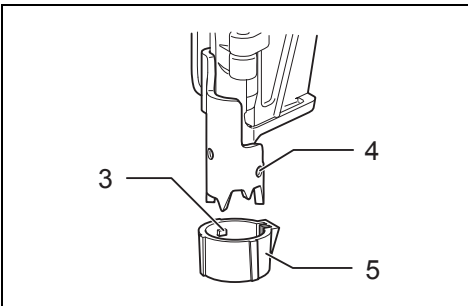
3

010585



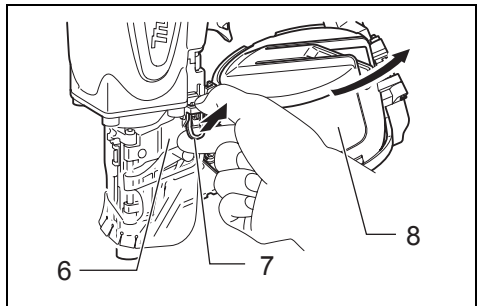
4

012340



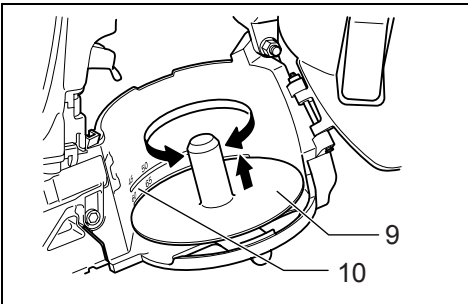
5

009471



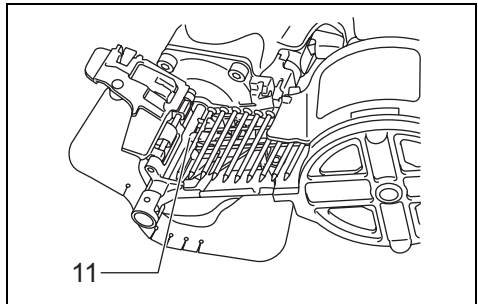
6

012342



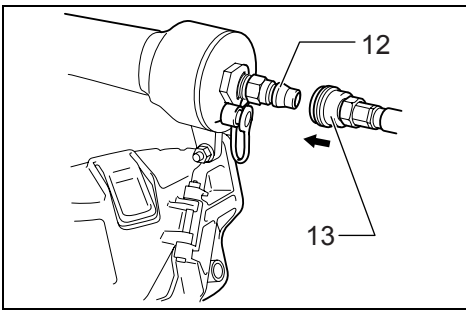
7

010580

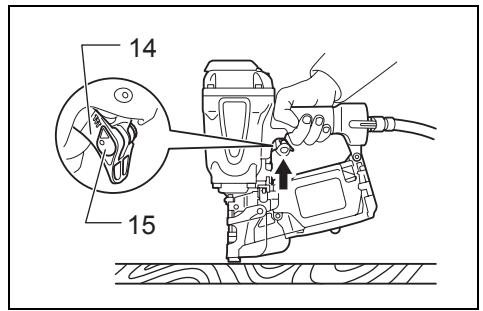


8

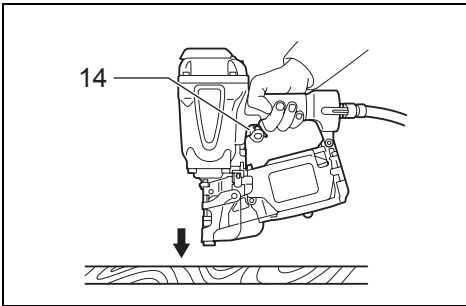
012346



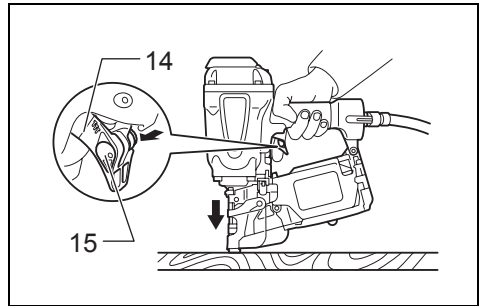
9 010583



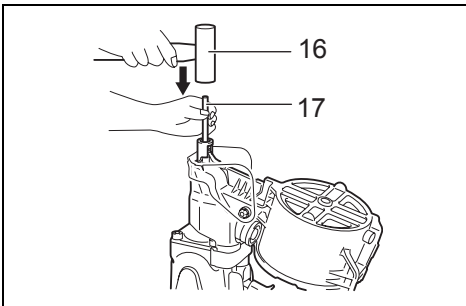
10 012339



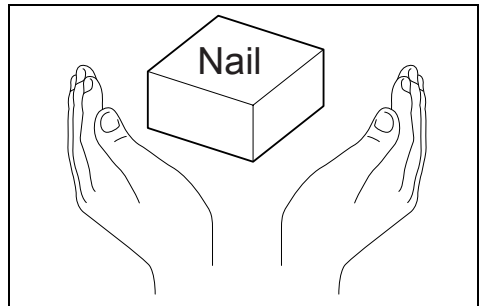
11 012349



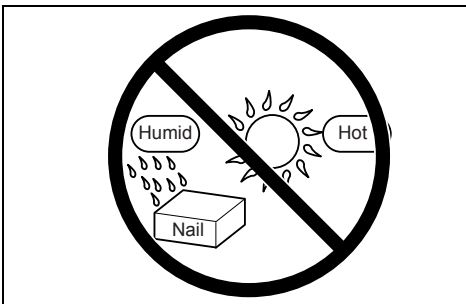
12 012338



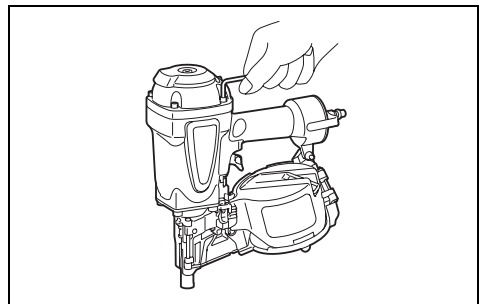
13 012341



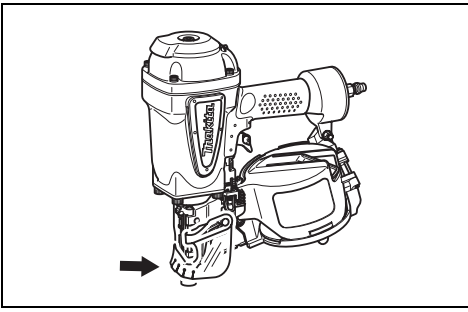
14 004310



15 004311

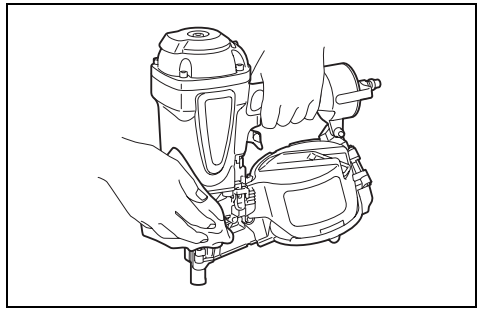


16 012343



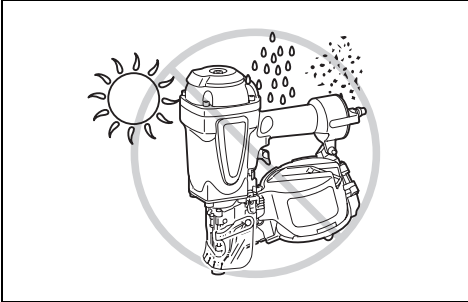
17

012337



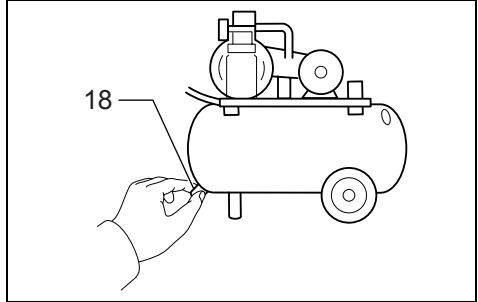
18

012344



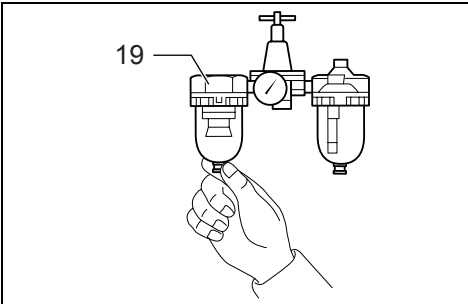
19

012345



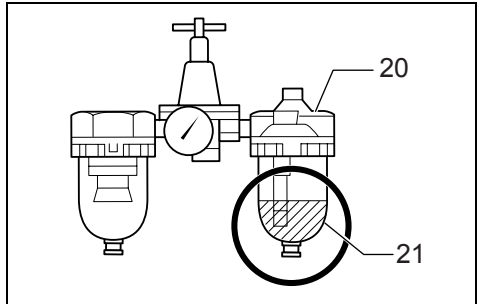
20

004317



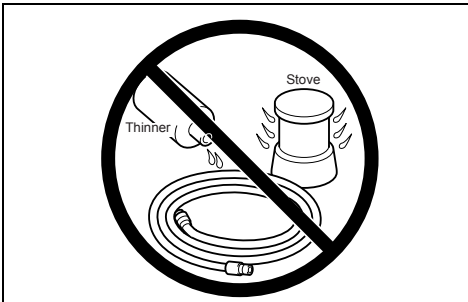
21

004318



22

004319



23

004320

**Symbols**

The following show the symbols used for the equipment. Be sure that you understand their meaning before use.

**Symboles**

Nous donnons ci-dessous les symboles utilisés pour l'outil. Assurez-vous que vous en avez bien compris la signification avant d'utiliser l'outil.

**Symbole**

Die folgenden Symbole werden für die Maschine verwendet. Machen Sie sich vor der Benutzung unbedingt mit ihrer Bedeutung vertraut.

**Simboli**

Per questo utensile vengono usati i simboli seguenti. Bisogna capire il loro significato prima di usare l'utensile.

**Symbolen**

Voor dit gereedschap worden de volgende symbolen gebruikt. Zorg ervoor dat u de betekenis van deze symbolen begrijpt alvorens het gereedschap te gebruiken.

**Simbolos**

A continuación se muestran los símbolos utilizados con esta herramienta. Asegúrese de que entienda su significado antes de usarla.

**Simbolos**

O seguinte mostra os símbolos utilizados para a ferramenta. Certifique-se de que compreende o seu significado antes da utilização.

**Symboler**

Det följande visar de symboler som används för den här maskinen. Se noga till att du förstår deras innebörd innan maskinen används.

**Symbolene**

Følgende viser de symbolene som brukes for maskinen. Det er viktig å forstå betydningen av disse før maskinen tas i bruk.

**Symbolit**

Alla on esitetty koneessa käytetyt symbolit. Opettele näiden merkitykset, ennen kuin käytät konetta.

**Apzīmējumi**

Turpmāk redzamajos attēlos norādīti šim instrumentam lietotie apzīmējumi. Pirms darbarīka ekspluatācijas ir jāizprot to nozīme.

**Simboliai**

Žemiau parodyti įrangai naudojami simboliai. Būtinai juos išsiaiškinkite prieš naudodamiesi.

**Sümbolid**

Seadmel esineb järgmisi sümbolid. Enne kasutamist veenduge kindlasti, et mõistate sümbolite tähendust.

**Символы**

Следующие объяснения показывают символы, используемые для инструмента. Убедитесь перед использованием, что Вы понимаете их значение.

**Symbolle**

Poniżej przedstawiono symbole stosowane w przypadku omawianego narzędzia. Przed rozpoczęciem jego użytkowania należy się upewnić, że są one zrozumiałe.

**Symboly**

Níže jsou uvedeny symboly, které se používají pro toto zařízení. Před použitím se ujistěte, že rozumíte jejich významu.

**Symboly**

V nasledujúcej časti sú uvedené symboly použité pre toto zariadenie. Pred použitím zariadenia sa uistite, že rozumiete ich významu.

**Szimbólumok**

A következőkben a szerszámhoz használt szimbólumokat mutatjuk be. Használat előtt győződjön meg arról, hogy ismeri ezek jelentését.

**标识**

以下为用于本装置的标识。使用之前，请务必理解其含义。

**기호**

장치에는 다음과 같은 기호가 사용되고 있습니다. 반드시 기호의 의미를 이해한 후에 사용하여 주십시오.



- Read instruction manual.
- Lire le manuel d'instructions.
- Bitte Betriebsanleitung lesen.
- Leggete il manuale di istruzioni.
- Lees de gebruiksaanwijzing.
- Lea el manual de instrucciones.
- Leia o manual de instruções.
- Läs bruksanvisningen.
- Les bruksanvisningen.
- Katso käyttöohjeita.



- Wear safety glasses.
- Porter des lunettes de protection.
- Schutzbrille tragen.
- Indossare occhiali di protezione.
- Draag een veiligheidsbril.
- Póngase gafas de seguridad.
- Utilize óculos de segurança.
- Bär skyddsglasögon.
- Bruk vernebriller.
- Käytä suojalaseja.



- Do not use on scaffoldings, ladders.
- Ne pas utiliser dans un échafaudage ou sur une échelle.
- Nicht auf Gerüsten, Leitern verwenden.
- Non usare su impalcature, scale a pioli.
- Niet gebruiken op stellingen, ladders, enz.
- No utilize en andamios, escaleras de mano.
- Não utilize em andaimes ou escada.
- Använd inte på byggnadsställningar eller stegar.
- Må ikke brukes på stillas eller stiger.
- Älä käytä telineillä, tikkailla.

- Izlasiet šo lietošanas rokasgrāmatu.
- Perskaitykite naudotojo instrukciją.
- Lugege kasutusjuhendit.
- Прочитайте инструкцию по эксплуатации.
- Należy przeczytać instrukcję obsługi.
- Přečtěte si návod k obsluze.
- Prečítajte si návod na obsluhu.
- Lásd a használati utasítást.
- 阅读使用说明书。
- 사용 설명서를 읽어 주십시오 .

- Valkājiet aizsargbrilles.
- Nešiokite apsauginius akinius.
- Kasutage kaitseprille.
- Используйте защитные очки.
- Należy nosić okulary ochronne.
- Noste ochranné brýle.
- Používajte ochranné okuliare.
- Viseljen védőszemüveget.
- 戴上安全眼镜。
- 보안경을 착용하여 주십시오 .

- Nelietojiet darbarīku, stāvot uz sastatnēm vai kāpnēm.
- Nenaudokite, kai esate ant pastolių ar kopėčių.
- Ārge kasutage tellingutel või redelil seistes.
- Не работайте на строительных лесах или лестницах.
- Nie stosować na rusztowaniach lub drabinach.
- Nepoužívejte na lešení, žebřících.
- Zariadenie nepoužívajte na lešeniach a rebríkoch.
- Ne használja állványokon és létrákon.
- 请勿站在脚手架、梯子上使用。
- 발판이나 사다리 위에서는 사용하지 마십시오 .

**Explanation of general view**

1 Pneumatic tool oil	8 Magazine cap	15 Change lever
2 Adjuster	9 Coil support plate	16 Hammer
3 Protrusion	10 Graduation	17 Small rod
4 Hole	11 Feed Claw	18 Drain cock
5 Nose adapter	12 Air fitting	19 Air filter
6 Door	13 Air socket	20 Oiler
7 Latch lever	14 Trigger	21 Pneumatic oil

**SPECIFICATIONS**

Model	AN902
Air pressure	0.49 – 0.83 MPa (4.9 – 8.3 bar)
Nail length	Wire-collated coil nail 45 mm – 90 mm
Nail capacity	150 – 300 pcs.
Min. hose diameter	6.5 mm
Pneumatic tool oil	Turbine oil
Dimensions (L x W x H)	318 mm x 128 mm x 378 mm
Net weight	3.5 kg

- Due to our continuing program of research and development, the specifications herein are subject to change without notice.
- Specifications may differ from country to country.
- Weight according to EPTA-Procedure 01/2003

ENE059-1

**Intended use**

The tool is intended for the preliminary interior work such as fixing floor joists or common rafters and framing work in 2" x 4" housing.

ENB090-4

**IMPORTANT SAFETY INSTRUCTIONS**

**WARNING: WHEN USING THIS TOOL, BASIC SAFETY PRECAUTIONS SHOULD ALWAYS BE FOLLOWED TO REDUCE THE RISK OF PERSONAL INJURY, INCLUDING THE FOLLOWING:**

**READ ALL INSTRUCTIONS.**

- For personal safety and proper operation and maintenance of the tool, read this instruction manual before using the tool.
- Always wear safety glasses to protect your eyes from dust or nail injury.  
**WARNING:**  
 It is an employer's responsibility to enforce the use of safety eye protection equipment by the tool operators and by other persons in the immediate working area.
- Wear hearing protection to protect your ears against exhaust noise and head protection. Also wear light but not loose clothing. Sleeves should be buttoned or rolled up. No necktie should be worn.
- Rushing the job or forcing the tool is dangerous. Handle the tool carefully. Do not operate when under the influence of alcohol, drugs or the like.

- General Tool Handling Guidelines:
  1. Always assume that the tool contains fasteners.
  2. Do not point the tool toward yourself or anyone whether it contains fasteners or not.
  3. Do not activate the tool unless the tool is placed firmly against the workpiece.
  4. Respect the tool as a working implement.
  5. No horseplay.
  6. Do not hold or carry the tool with a finger on the trigger.
  7. Do not load the tool with fasteners when any one of the operating controls is activated.
  8. Do not operate the tool with any power source other than that specified in the tool operating/safety instructions.
- An improperly functioning tool must not be used.
- Sparks sometimes fly when the tool is used. Do not use the tool near volatile, flammable materials such as gasoline, thinner, paint, gas, adhesives, etc.; they will ignite and explode, causing serious injury.
- The area should be sufficiently illuminated to assure safe operations. The area should be clear and litter-free. Be especially careful to maintain good footing and balance.
- Only those involved in the work should be in the vicinity. Children especially must be kept away at all times.
- There may be local regulations concerning noise which must be complied with by keeping noise levels within prescribed limits. In certain cases, shutters should be used to contain noise.
- Do not play with the contact element: it prevents accidental discharge, so it must be kept on and not removed. Securing the trigger in the ON position is also very dangerous. Never attempt to fasten the trigger. Do not operate a tool if any portion of the tool operating controls is inoperable, disconnected, altered, or not working properly.

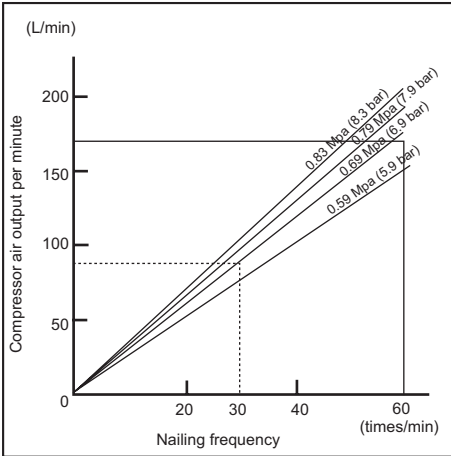
- Operate the tool within the specified air pressure of 0.49 – 0.83 MPa (4.9 – 8.3 bar) for safety and longer tool life. Do not exceed the recommended max. operating pressure of 0.83 MPa (8.3 bar). The tool should not be connected to a source whose pressure potentially exceeds 1.37 MPa (13.7 bar).
- Make sure that the pressure supplied by the compressed air system does not exceed the maximum allowable pressure of the fastener driving tool. Set the air pressure initially to the lower value of the recommended allowable pressure (see SPECIFICATIONS).
- Never use the tool with other than compressed air. If bottled gas (carbon dioxide, oxygen, nitrogen, hydrogen, air, etc.) or combustible gas (hydrogen, propane, acetylene, etc.) is used as a power source for this tool, the tool will explode and cause serious injury.
- Always check the tool for its overall condition and loose screws before operation. Tighten as required.
- Make sure all safety systems are in working order before operation. The tool must not operate if only the trigger is pulled or if only the contact arm is pressed against the wood. It must work only when both actions are performed. Test for possible faulty operation with nails unloaded and the pusher in fully pulled position.
- Check walls, ceilings, floors, roofing and the like carefully to avoid possible electrical shock, gas leakage, explosions, etc. caused by striking live wires, conduits or gas pipes.
- Use only nails specified in this manual. The use of any other nails may cause malfunction of the tool.
- Never use fastener driving tools marked with the symbol “Do not use on scaffoldings, ladders” for specific application for example:
  - when changing one driving location to another involves the use of scaffoldings, stairs, ladders, or ladder alike constructions, e.g. roof laths;
  - closing boxes or crates;
  - fitting transportation safety systems e.g. on vehicles and wagons.
- Do not permit those uninstructed to use the tool.
- Make sure no one is nearby before nailing. Never attempt to nail from both the inside and outside at the same time. Nails may rip through and/or fly off, presenting a grave danger.
- Watch your footing and maintain your balance with the tool. Make sure there is no one below when working in high locations, and secure the air hose to prevent danger if there is sudden jerking or catching.
- On rooftops and other high locations, nail as you move forward. It is easy to lose your footing if you nail while inching backward. When nailing against perpendicular surface, nail from the top to the bottom. You can perform nailing operations with less fatigue by doing so.
- A nail will be bent or the tool can become jammed if you mistakenly nail on top of another nail or strike a knot in the wood. The nail may be thrown and hit someone, or the tool itself can react dangerously. Place the nails with care.
- Do not leave the loaded tool or the air compressor under pressure for a long time out in the sun. Be sure that dust, sand, chips and foreign matter will not enter the tool in the place where you leave it setting.
- Do not point the ejection port at anyone in the vicinity. Keep hands and feet away from the ejection port area.
- When the air hose is connected, do not carry the tool with your finger on the trigger or hand it to someone in this condition. Accidental firing can be extremely dangerous.
- Handle the tool carefully, as there is high pressure inside the tool that can be dangerous if a crack is caused by rough handling (dropping or striking). Do not attempt to carve or engrave on the tool.
- Stop nailing operations immediately if you notice something wrong or out of the ordinary with the tool.
- Always disconnect the air hose and remove all of the nails:
  1. When unattended.
  2. Before performing any maintenance or repair.
  3. Before cleaning a jam.
  4. Before moving the tool to a new location.
- Perform cleaning and maintenance right after finishing the job. Keep the tool in tip-top condition. Lubricate moving parts to prevent rusting and minimize friction-related wear. Wipe off all dust from the parts.
- Do not modify tool without authorization from Makita.
- Ask Makita’s Authorized service centers for periodical inspection of the tool.
- To maintain product SAFETY and RELIABILITY, maintenance and repairs should be performed by Makita Authorized Service Centers, always using Makita replacement parts.
- Use only pneumatic tool oil specified in this manual.
- Never connect the tool to compressed air line where the air pressure can exceed the suitable air pressure range of the tool, specified in the “SPECIFICATIONS” table, by 10%.
- Fastener driving tools operated by compressed air should only be operated at the lowest pressure required for the work process at hand, in order to prevent unnecessarily high noise levels, increased wear and resulting failures.
- Do not attempt to keep the trigger or contact element depressed with tape or wire. Death or serious injury may occur.
- Always check contact element as instructed in this manual. Nails may be driven accidentally if the safety mechanism is not working correctly.

## **SAVE THESE INSTRUCTIONS.**



## INSTALLATION

### Selecting compressor



The air compressor must comply with the requirements of EN60335-2-34.

Select a compressor that has ample pressure and air output to assure cost-efficient operation. The graph shows the relation between nailing frequency, applicable pressure and compressor air output.

Thus, for example, if nailing takes place at a rate of approximately 30 times per minute at a compression of 0.69 MPa (6.9 bar), a compressor with an air output over 80 L/minute is required.

Pressure regulators must be used to limit air pressure to the rated pressure of the tool where air supply pressure exceeds the tool's rated pressure. Failure to do so may result in serious injury to tool operator or persons in the vicinity.

### Selecting air hose (Fig. 1)

Use an air hose as large and as short as possible to assure continuous, efficient nailing operation. With an air pressure of 0.49 MPa (4.9 bar), an air hose with an internal diameter of over 6.5 mm and a length of less than 20 m is recommended when the interval between each nailing is 0.5 seconds. Air supply hoses shall have a minimum working pressure rating of 1.03 MPa (10.3 bar) or 150 percent of the maximum pressure produced in the system whichever is higher.

#### ⚠ CAUTION:

- Low air output of the compressor, or a long or smaller diameter air hose in relation to the nailing frequency may cause a decrease in the driving capability of the tool.

### Lubrication

To insure maximum performance, install an air set (oil, regulator, air filter) as close as possible to the tool. Adjust the oiler so that one drop of oil will be provided for every 30 nails. (Fig. 2)

When an air set is not used, oil the tool with pneumatic tool oil by placing 2 (two) or 3 (three) drops into the air fitting. This should be done before and after use. For proper lubrication, the tool must be fired a couple of times after pneumatic tool oil is introduced. (Fig. 3)

## FUNCTIONAL DESCRIPTION

#### ⚠ CAUTION:

- Always disconnect the air hose before adjusting or checking function on the tool.

### Adjusting depth of nailing (Fig. 4)

To adjust the depth of nailing, turn the adjuster. The depth of nailing is the deepest when the adjuster is turned fully in the A direction shown in the figure. It will become shallower as the adjuster is turned in the B direction. If nails cannot be driven deep enough even when the adjuster is turned fully in the A direction, increase the air pressure. If nails are driven too deep even when the adjuster is turned fully in the B direction, decrease the air pressure. Generally speaking, the tool service life will be longer when the tool is used with lower air pressure and the adjuster set to a lower depth of nail driving.

#### ⚠ CAUTION:

- Always disconnect the hose before adjusting the depth of nailing.

### Use the nose adapter (Fig. 5)

#### ⚠ CAUTION:

- Always disconnect the hose before installing or removing the nose adapter.

If you like to protect the surface of workpiece, attach the nose adapter of contact element.

When nailing workpieces with easily-marred surfaces, use the nose adapter. To attach the nose adapter to the contact element, press it onto the contact element until the protrusion in three places inside the nose adapter fit in three holes in the contact element.

## ASSEMBLY

#### ⚠ CAUTION:

- Always disconnect the air hose before carrying out any work on the tool.

### Loading nailer

Select nails suitable for your work. Depress the latch lever and open the door. And then open the magazine cap. (Fig. 6)

Lift and turn the coil support plate so that the arrow with nail size indicated on the coil support plate will point to the corresponding graduation increment marked on the magazine. If the tool is operated with the coil support plate set to the wrong step, poor nail feed or malfunction of the tool may result. (Fig. 7)

Place the nail coil over the coil support plate. Uncoil enough nails to reach the feed claw. Place the first nail in the driver channel and the second nail in the feed claw. Place other uncoiled nails on feeder body. Close the magazine cap after checking to see that the nail coil is set properly in the magazine. (Fig. 8)

### Connecting air hose (Fig. 9)

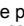
Slip the air socket of the air hose onto the air fitting on the nailer. Be sure that the air socket locks firmly into position when installed onto the air fitting. A hose coupling must be installed on or near the tool in such a way that the pressure reservoir will discharge at the time the air supply coupling is disconnected.

## OPERATION

### CAUTION:

- Make sure all safety systems are in working order before operation.

### For continuous nailing mode

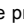
Rotate the lever to the  position while pressing the button on the other side of the lever. (Fig. 10 & 11)

1. To drive a nail, you may place the contact element against the workpiece and pull the trigger.
  2. Pull the trigger first and then place the contact element against the workpiece.
- No. 1 method is for intermittent nailing, when you wish to drive a nail carefully and very accurately. No. 2 method is for continuous nailing.

### CAUTION:

- Operating the tool without nails shortens the life of the tool and should be avoided.

### For sequential mode (intermittent nailing mode) (Fig. 12)

Rotate the lever to the  position while pressing the button on the other side of the lever.

To drive a nail, you may place the contact element against the workpiece and pull the trigger.

### CAUTION:

- WITH THE TRIGGER HELD IN A HALF-PULLED POSITION, an unexpected nailing could occur, if contact element is allowed to re-contact against the workpiece or the other surface under the influence of recoil. In order to avoid this unexpected nailing, perform as follows:
  - A. Do not place the contact element against the workpiece with excessive force.
  - B. Pull the trigger fully and hold it on for 1 – 2 seconds after nailing.
- Operating the tool without nails shortens the life of the tool and should be avoided.

### Jammed nailer (Fig. 13)

#### CAUTION:

- Always disconnect the air hose and remove the nails from the magazine before cleaning a jam.

When the nailer becomes jammed, do as follows:

Open the magazine cap and remove the nail coil. Insert a small rod or the like into the ejection port and tap it with a hammer to drive out the nail jamming from the ejection port. Reset the nail coil and close the magazine cap.

### Nails

Handle nail coils and their box carefully. If the nail coils have been handled roughly, they may be out of shape or their connector breaks, causing poor nail feed. (Fig. 14) Avoid storing nails in a very humid or hot place or place exposed to direct sunlight. (Fig. 15)

## MAINTENANCE

### CAUTION:

- Always disconnect the air hose from the tool before attempting to perform inspection or maintenance.
- Never use gasoline, benzene, thinner, alcohol or the like. Discoloration, deformation or cracks may result.

### Maintenance of nailer

Always check the tool for its overall condition and loose screws before operation. Tighten as required. (Fig. 16)

With tool disconnected, make daily inspection to assure free movement of the contact element and trigger. Do not use tool if the contact element or trigger sticks or binds. (Fig. 17)

When the tool is not to be used for an extended period of time, lubricate the tool using pneumatic tool oil and store the tool in a safe place. Avoid exposure to direct sunlight and/or humid or hot environment. (Fig. 18 & 19)

### Maintenance of compressor, air set and air hose

After operation, always drain the compressor tank and the air filter. If moisture is allowed to enter the tool, it may result in poor performance and possible tool failure. (Fig. 20 & 21)

Check regularly to see if there is sufficient pneumatic oil in the oiler of the air set. Failure to maintain sufficient lubrication will cause O-rings to wear quickly. (Fig. 22)

Keep the air hose away from heat (over 60°C, over 140°F), away from chemicals (thinner, strong acids or alkalis). Also, route the hose away from obstacles which it may become dangerously caught on during operation. Hoses must also be directed away from sharp edges and areas which may lead to damage or abrasion to the hose. (Fig. 23)

To maintain product SAFETY and RELIABILITY, repairs, any other maintenance or adjustment should be performed by Makita Authorized Service Centers, always using Makita replacement parts.

## OPTIONAL ACCESSORIES

### CAUTION:

- These accessories or attachments are recommended for use with your Makita tool specified in this manual. The use of any other accessories or attachments might present a risk of injury to persons. Only use accessory or attachment for its stated purpose.

If you need any assistance for more details regarding these accessories, ask your local Makita Service Center.

- Nails
- Air hoses
- Safety goggles

### NOTE:

- Some items in the list may be included in the tool package as standard accessories. They may differ from country to country.

**Noise**

The typical A-weighted noise level determined according to EN792:

Sound pressure level ( $L_{pA}$ ): 98.3 dB (A)

Sound power level ( $L_{WA}$ ): 98.9 dB (A)

Uncertainty (K): 2.5 dB (A)

**Wear ear protection**

ENG904-2

**Vibration**

The vibration total value determined according to EN792:

Vibration emission ( $a_{hv}$ ): 2.52 m/s<sup>2</sup>

Uncertainty (K): 1.26 m/s<sup>2</sup>

ENG901-1

- The declared vibration emission value has been measured in accordance with the standard test method and may be used for comparing one tool with another.
- The declared vibration emission value may also be used in a preliminary assessment of exposure.

**⚠WARNING:**

- The vibration emission during actual use of the power tool can differ from the declared emission value depending on the ways in which the tool is used.
- Be sure to identify safety measures to protect the operator that are based on an estimation of exposure in the actual conditions of use (taking account of all parts of the operating cycle such as the times when the tool is switched off and when it is running idle in addition to the trigger time).

ENH101-15

**For European countries only****EC Declaration of Conformity**

**We Makita Corporation as the responsible manufacturer declare that the following Makita machine(s):**

Designation of Machine: Construction Coil Nailer

Model No./ Type: AN902

are of series production and

**Conforms to the following European Directives:**

2006/42/EC

And are manufactured in accordance with the following standards or standardised documents:

EN792

The technical documentation is kept by our authorized representative in Europe who is:

Makita International Europe Ltd.

Michigan Drive, Tongwell,

Milton Keynes, Bucks MK15 8JD, England

29.3.2011



Tomoyasu Kato

Director

Makita Corporation

3-11-8, Sumiyoshi-cho,

Anjo, Aichi, 446-8502, JAPAN

**Descriptif**

1 Huile à outil pneumatique	8 Bouchon du magasin	15 Levier de changement de mode
2 Dispositif de réglage	9 Plaque de soutien de la bobine	16 Marteau
3 Partie saillante	10 Graduation	17 Petite tige
4 Orifice	11 Griffe d'alimentation	18 Robinet de vidange
5 Bec adaptateur	12 Raccord à air	19 Filtre à air
6 Porte	13 Douille à air	20 Réservoir d'huile
7 Levier de fermeture	14 Gâchette	21 Huile à outil pneumatique

**SPÉCIFICATIONS**

Modèle	AN902
Pression d'air	0,49 – 0,83 MPa (4,9 – 8,3 bar)
Longueur de clou	Clous en rouleau soudés par fil 45 mm – 90 mm
Capacité en clous	150 – 300 pièces
Diamètre min. du tuyau	6,5 mm
Huile à outil pneumatique	Huile pour turbine
Dimensions (L x P x H)	318 mm x 128 mm x 378 mm
Poids net	3,5 kg

- Étant donné l'évolution constante de notre programme de recherche et de développement, les spécifications contenues dans ce manuel sont sujettes à modification sans préavis.
- Les spécifications peuvent varier suivant les pays.
- Poids selon la procédure EPTA 01/2003

ENE059-1

**Utilisations**

L'outil est conçu pour les travaux d'intérieur préliminaires tels que le clouage de solives de plancher ou de chevrons, ainsi que pour le clouage de planches de 2 po par 4 po.

ENB090-4

**CONSIGNES DE SÉCURITÉ IMPORTANTES**

**AVERTISSEMENT : PAR MESURE DE SÉCURITÉ, DES PRÉCAUTIONS DE BASE DOIVENT ÊTRE PRISES LORS DE L'UTILISATION DE CET OUTIL, AFIN DE RÉDUIRE LES RISQUES DE BLESSURE. CES MESURES COMPRENNENT LES SUIVANTES :**

**LISEZ TOUTES LES INSTRUCTIONS.**

- Par mesure de sécurité personnelle et pour assurer une utilisation et un entretien adéquats, veuillez lire ce manuel d'instructions avant d'utiliser l'outil.
  - Portez toujours des lunettes de protection pour protéger vos yeux contre toute blessure au contact de la poussière ou d'un clou.
- AVERTISSEMENT :**  
L'employeur a la responsabilité d'imposer le port d'un dispositif de protection des yeux aux utilisateurs des outils et à toute personne présente dans l'aire de travail.
  - Portez une protection d'oreilles pour les protéger contre le bruit, et portez un casque de sécurité. Les vêtements portés doivent être légers et ne doivent pas être amples. Veuillez boutonner ou rouler vos manches. Ne portez pas de cravate.

- Il est dangereux de travailler trop vite ou d'appliquer une charge de travail excessive à l'outil. Manipulez l'outil avec soin. N'utilisez pas l'outil si vous avez consommé de l'alcool, des médicaments, etc.
- Conseils généraux pour l'utilisation des outils :
  1. Gardez toujours à l'esprit que l'outil contient des clous.
  2. L'outil ne doit jamais être pointé vers vous-même ou vers une autre personne, qu'il contienne ou non des clous.
  3. Ne mettez pas l'outil en marche avant qu'il ne soit fermement placé sur la pièce à travailler.
  4. Respectez votre outil en tant qu'instrument de travail.
  5. Évitez tout chahut.
  6. L'outil ne doit jamais être saisi ou transporté en posant un doigt sur la gâchette.
  7. Ne mettez jamais de clous dans l'outil alors que l'une de ses commandes est activée.
  8. Ne branchez jamais l'outil sur une source d'alimentation autre que celle spécifiée dans les instructions d'utilisation et consignes de sécurité qui l'accompagnent.
- Aucun outil défectueux ne doit être utilisé.
- Des étincelles s'échappent parfois de l'outil pendant son utilisation. N'utilisez pas l'outil près de substances ou matériaux volatiles ou inflammables tels que l'essence, le diluant, la peinture, le gaz, les adhésifs, etc. Ils risqueraient de prendre feu, d'exploser et de causer une blessure grave.
- L'aire de travail doit être suffisamment éclairée pour assurer la sécurité du travail. L'aire de travail doit être maintenue propre et exempte de déchets. Prenez particulièrement soin d'avoir une bonne assise et une bonne position d'équilibre.
- Seules les personnes qui participent au travail doivent pénétrer dans l'aire de travail. Les enfants, tout particulièrement, doivent être maintenus à l'écart en tout temps.

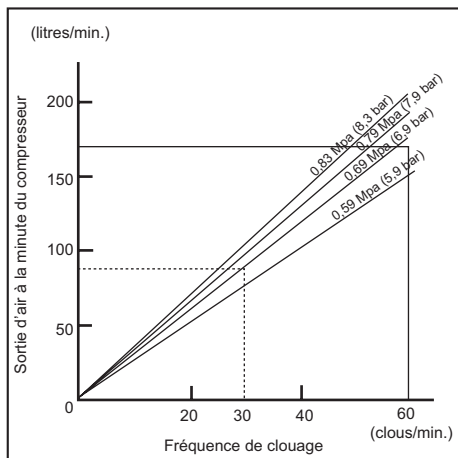
- Il se peut que des réglementations locales s'appliquent concernant les niveaux de bruit permis. Veuillez les respecter. Dans certains cas, des volets doivent être installés pour réduire le bruit.
- Ne modifiez pas l'élément de contact : il permet de prévenir toute décharge accidentelle et doit donc être installé en place. Il est également très dangereux de fixer la gâchette en position de marche. Il ne faut jamais essayer d'immobiliser la gâchette. N'utilisez jamais un outil dont une des commandes est inutilisable, déconnectée, modifiée ou ne fonctionne pas correctement.
- Par mesure de précaution et pour augmenter la durée de vie de l'outil, réglez-le toujours à l'intérieur de la plage de pression d'air spécifiée, soit 0,49 – 0,83 MPa (4,9 – 8,3 bar). Ne dépassez jamais la pression maximale recommandée de 0,83 MPa (8,3 bar). L'outil ne doit pas être raccordé à une source dont la pression peut dépasser 1,37 MPa (13,7 bar).
- Assurez-vous que la pression fournie par le système d'air comprimé ne dépasse pas la pression maximale permise de l'outil. Réglez d'abord la pression d'air sur la plus petite valeur de pression recommandée (voir SPÉCIFICATIONS).
- Cet outil doit être exclusivement utilisé avec de l'air comprimé. L'utilisation d'une bouteille de gaz (dioxyde de carbone, oxygène, nitrogène, hydrogène, air, etc.) ou de gaz combustible (hydrogène, propane, acétylène, etc.) comme source de pression de cet outil entraînera une explosion et risque de causer une blessure grave.
- Avant d'utiliser l'outil, assurez-vous qu'il est en bon état et qu'aucune de ses vis n'est desserrée. Le cas échéant, serrez les vis.
- Assurez-vous que tous les dispositifs de sécurité sont en état de fonctionner avant d'utiliser l'outil. En principe cet outil ne fonctionne pas si vous appuyez seulement sur la gâchette ou si vous appuyez simplement le bras de contact contre le bois. Il ne doit fonctionner que lorsque ces deux actions sont exécutées. Retirez les clous de l'outil et tirez le poussoir à fond pour vérifier l'absence de tout vice de fonctionnement.
- Pour éviter tout risque de choc électrique, de fuite de gaz, d'explosion, etc., provoqué par le contact avec des fils dénudés, des conduites ou des tuyaux de gaz, vérifiez le mur, le plafond, le plancher, le toit ou toute autre pièce où vous clouez.
- Utilisez uniquement les clous spécifiés dans ce manuel. L'outil risque de mal fonctionner si vous utilisez tout autre type de clou.
- Il ne faut jamais utiliser les outils de clouage qui portent l'indication "Ne pas utiliser dans un échafaudage ou sur une échelle" pour des applications particulières, telles que par exemple :
  - lorsque, pour changer d'emplacement de clouage, il faut utiliser un échafaudage, un escalier, une échelle ou une structure similaire, par exemple lorsque vous clouez des lattes de toit ;
  - pour fermer des boîtes ou caisses ;
  - pour installer des dispositifs de sécurité, par exemple, sur un véhicule ou un wagon.
- Seules les personnes ayant pris connaissance du fonctionnement de l'outil doivent être autorisées à l'utiliser.
- Avant de procéder au clouage, assurez-vous que personne ne se trouve près de vous. N'essayez jamais de clouer une pièce en même temps des côtés intérieur et extérieur. Cela est très dangereux, puisque les clous risquent alors de défoncer la pièce ou d'être projetés.
- Regardez où vous posez les pieds et assurez-vous d'un bon équilibre pendant l'utilisation de l'outil. Assurez-vous qu'il n'y a personne sous vous lorsque vous travaillez dans un endroit élevé, et fixez le tuyau d'air de sorte qu'il ne risque pas de se détacher s'il est brusquement secoué ou s'il se coince.
- Sur les toits et autres endroits élevés, clouez en vous déplaçant vers l'avant. Vous risquez de perdre pied si vous clouez en vous déplaçant à reculons. Lorsque vous clouez sur une surface verticale, faites-le du haut vers le bas. De cette façon le travail de clouage sera moins exigeant physiquement.
- Le clou risque de se plier ou l'outil de se bloquer si vous clouez par inadvertance dans un nœud ou sur un autre clou. Le clou risque alors d'être projeté et de frapper quelqu'un, ou bien l'outil lui-même risque de réagir de manière dangereuse. Choisissez l'emplacement des clous avec soin.
- N'abandonnez pas pour une période prolongée un outil chargé ou un compresseur d'air sous pression exposé au soleil à l'extérieur. Assurez-vous de toujours déposer l'outil en un endroit où la poussière, le sable, les copeaux et corps étrangers ne risquent pas d'y pénétrer.
- Ne pointez jamais la sortie d'éjection vers une personne se trouvant à proximité. Gardez les mains et les pieds à l'écart de la zone de la sortie d'éjection.
- Lorsque le tuyau d'air est raccordé, ne transportez pas l'outil avec le doigt sur la gâchette et ne le passez pas à quelqu'un dans cette condition. Le déclenchement accidentel de l'outil peut être extrêmement dangereux.
- Manipulez l'outil prudemment. La pression élevée à l'intérieur de l'outil représente un danger si une fissure est provoquée par une manipulation brusque (en l'échappant ou le heurtant). Ne tentez jamais de tailler ou graver une inscription sur l'outil.
- Cessez immédiatement le clouage si vous notez une anomalie ou un fonctionnement inhabituel de l'outil.
- Déconnectez toujours le tuyau d'air et retirez tous les clous dans les cas suivants :
  1. Lorsque l'outil est laissé sans surveillance.
  2. Avant d'effectuer tout travail d'entretien ou de réparation sur l'outil.
  3. Avant de retirer des clous coincés.
  4. Avant de déplacer l'outil vers un autre lieu.
- Procédez au nettoyage et à l'entretien de l'outil dès votre travail terminé. Maintenez l'outil en excellente condition. Lubrifiez les pièces mobiles pour éviter qu'elles ne rouillent et pour limiter l'usure entraînée par la friction. Retirez toute poussière déposée sur les pièces.
- Ne modifiez pas l'outil sans l'autorisation de Makita.
- Confiez régulièrement l'outil à un centre de service après-vente agréé Makita pour une inspection.
- Pour maintenir la SÉCURITÉ et la FIABILITÉ du produit, son entretien et sa réparation doivent être effectués dans un centre de service après-vente agréé Makita, exclusivement avec des pièces de rechange Makita.
- Utilisez uniquement l'huile à outil pneumatique spécifiée dans ce manuel.
- Ne connectez jamais l'outil à une conduite d'air comprimé dont la pression peut dépasser de 10% la plage de pression d'air adéquate de l'outil, spécifiée dans le tableau "SPÉCIFICATIONS".

- Les outils de clouage fonctionnant à l'air comprimé ne doivent être utilisés qu'à la pression la plus basse requise pour travailler à la main, afin d'éviter les niveaux sonores inutilement élevés, l'usure accrue et les dysfonctionnements inhérents.
- Ne pas essayer de maintenir en position enfoncée la gâchette ou l'élément de contact avec un bout de ruban ou de fil. Il y a risque de décès ou de blessure grave.
- Vérifiez toujours l'élément de contact, tel qu'indiqué dans ce manuel. Des clous risquent d'être projetés par accident si le mécanisme de sécurité ne fonctionne pas correctement.

## CONSERVEZ CES INSTRUCTIONS.

## INSTALLATION

### Sélection du compresseur



Le compresseur d'air doit répondre aux exigences de la norme EN60335-2-34.

Choisissez un compresseur dont la capacité de pressurisation et de sortie d'air assurera un bon rapport qualité/coût. Le graphique indique la relation entre la fréquence de clouage, la pression applicable et la sortie d'air du compresseur.

Ainsi, par exemple, un clouage à raison d'environ 30 clous par minute avec une pression de 0,69 MPa (6,9 bar) nécessite une sortie d'air supérieure à 80 litres/min.

Un régulateur de pression doit être utilisé si la pression d'air fournie dépasse la capacité nominale de l'outil. Autrement, l'utilisateur et les personnes présentes courent un risque de blessure grave.

### Sélection du tuyau d'air (Fig. 1)

Le tuyau d'air utilisé doit être le plus gros et le plus court possible, pour assurer un travail de clouage continu et efficace. Avec une pression d'air de 0,49 MPa (4,9 bar), nous recommandons un tuyau d'air d'un diamètre interne supérieur à 6,5 mm et d'une longueur inférieure à 20 m pour un intervalle de 0,5 seconde entre chaque clou. Les tuyaux d'alimentation en air doivent avoir une capacité nominale de pression de travail minimum de 1,03 MPa (10,3 bar) ou de 150 pour cent par rapport à la pression maximale produite dans le système, la plus élevée de ces valeurs s'appliquant.

### ⚠ ATTENTION :

- La capacité d'entraînement de l'outil risque de diminuer si la sortie d'air du compresseur est faible ou si le tuyau d'air est trop long ou d'un diamètre trop petit pour la fréquence de clouage.

### Lubrification

Pour assurer une performance maximale, installez une chambre à air (qui contient le réservoir d'huile, le régulateur et le filtre à air) le plus près possible de l'outil. Ajustez le réservoir d'huile de sorte qu'une goutte d'huile soit fournie tous les 30 clous. (Fig. 2)

Si vous n'utilisez pas de chambre à air, graissez l'outil en versant deux (2) ou trois (3) gouttes d'huile à l'outil pneumatique dans le raccord à air. Cette opération doit être effectuée avant et après l'utilisation. Pour assurer une lubrification adéquate, il faut faire déclencher l'outil à quelques reprises après l'insertion de l'huile à l'outil pneumatique. (Fig. 3)

## DESCRIPTION DU FONCTIONNEMENT

### ⚠ ATTENTION :

- Toujours déconnectez le tuyau d'air avant de régler l'outil ou de vérifier son fonctionnement.

### Réglage de la profondeur de clouage (Fig. 4)

Pour régler la profondeur de clouage, tournez le dispositif de réglage. La profondeur de clouage est maximale lorsque le dispositif de réglage est tourné complètement dans le sens A illustré sur la figure. Elle diminue à mesure que l'on tourne le dispositif de réglage dans le sens B. Si les clous ne peuvent être plantés assez profondément alors que le dispositif de réglage est complètement tourné dans le sens A, augmentez la pression d'air. Si les clous sont plantés trop profondément alors que le dispositif de réglage est tourné complètement dans le sens B, réduisez la pression d'air. En général, la durée de service de l'outil est plus longue s'il est utilisé à une pression d'air inférieure et avec le dispositif de réglage placé sur une plus faible profondeur de clouage.

### ⚠ ATTENTION :

- Toujours déconnectez le tuyau avant de régler la profondeur de clouage.

### Utiliser le bec adaptateur (Fig. 5)

### ⚠ ATTENTION :

- Déconnectez toujours le tuyau avant de poser ou de retirer le bec adaptateur.

Pour protéger la surface de la pièce à travailler, vous pouvez fixer le bec adaptateur à l'élément de contact.

Utilisez le bec adaptateur lorsque vous clouez sur des pièces dont la surface est délicate. Pour fixer le bec adaptateur à l'élément de contact, appuyez-le contre l'élément de contact jusqu'à ce que les trois parties saillantes, à l'intérieur du bec adaptateur, pénètrent dans les orifices de l'élément de contact.

## ASSEMBLAGE

### ⚠ ATTENTION :

- Toujours déconnectez le tuyau d'air avant d'effectuer tout travail sur l'outil.

### Chargement de la cloueuse

Choisissez des clous bien adaptés au type de travail à effectuer. Enfoncez le levier de fermeture et ouvrez la porte. Ouvrez ensuite le bouchon du magasin. (Fig. 6) Soulevez et tournez la plaque de soutien de la bobine, de sorte que la flèche correspondant à la taille de clou indiquée sur la plaque pointe vers la valeur de graduation correspondante sur le magasin. Si vous utilisez l'outil alors que la plaque de soutien de la bobine de clous n'est pas placée sur la bonne position, l'alimentation en clous risque d'être mauvaise et l'outil risque de mal fonctionner. (Fig. 7)

Placez la bobine de clous sur la plaque de soutien. Débinez suffisamment de clous pour atteindre la griffe d'alimentation. Placez le premier clou dans la gorge de dispositif d'alimentation, et le second dans la griffe d'alimentation. Placez les clous non embobinés sur le dispositif d'alimentation. Fermez le bouchon du magasin après vous être assuré que la bobine de clous est bien installée dans le magasin. (Fig. 8)

### Raccordement du tuyau d'air (Fig. 9)

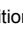
Glissez la douille à air du tuyau d'air dans le raccord à air de la cloueuse. Assurez-vous que la douille à air est verrouillée fermement en position lorsque vous installez le raccord à air. Un raccord à tuyau doit être installé sur ou près de l'outil de sorte que le réservoir de pression se vide au moment de la déconnexion du raccord d'adduction d'air.

## UTILISATION

### ⚠ ATTENTION :

- Assurez-vous que tous les dispositifs de sécurité sont en état de fonctionner avant d'utiliser l'outil.

### Pour le mode de clouage continu


Faites pivoter le levier jusqu'à la position  tout en appuyant sur le bouton de l'autre côté du levier. (Fig. 10 et 11)

1. Pour clouer, vous pouvez placer l'élément de contact contre la pièce et appuyer sur la gâchette.
  2. Appuyer d'abord sur la gâchette puis placer l'élément de contact contre la pièce.
- La méthode 1 convient bien au clouage intermittent, lorsque vous désirez enfoncer les clous soigneusement, avec une grande précision. La méthode 2 convient bien au clouage continu.

### ⚠ ATTENTION :

- L'utilisation de l'outil sans clous réduit sa durée de service et doit donc être évitée.

### Pour le mode consécutif (mode de clouage intermittent) (Fig. 12)

Faites pivoter le levier jusqu'à la position  tout en appuyant sur le bouton de l'autre côté du levier.

Pour clouer, vous pouvez placer l'élément de contact contre la pièce et appuyer sur la gâchette.

### ⚠ ATTENTION :

- SI LA GÂCHETTE EST MAINTENUE ENFONCÉE À MI-COURSE, vous risquez de clouer par inadvertance si l'élément de contact touche à nouveau la pièce ou toute autre surface sous l'effet de recul. Pour éviter ce clouage accidentel, procédez comme suit :
  - A. N'appliquez pas une pression excessive en plaçant l'élément de contact contre la pièce.
  - B. Appuyez à fond sur la gâchette et maintenez-la dans cette position 1 ou 2 secondes après le clouage.
- L'utilisation de l'outil sans clous réduit sa durée de service et doit donc être évitée.

### Cloueuse bloquée (Fig. 13)

### ⚠ ATTENTION :

- Avant de débloquer la cloueuse, vous devez déconnecter le tuyau et retirer les clous du magasin.

Lorsque la cloueuse se bloque, procédez comme suit : Ouvrez le bouchon du magasin et retirez la bobine de clous. Insérez une petite tige ou un objet similaire dans la sortie d'éjection et frappez dessus légèrement avec un marteau pour retirer les clous coincés dans la sortie d'éjection. Remettez en place la bobine de clous et fermez le bouchon du magasin.

### Clous

Manipulez avec soin les bandes de clous et les boîtes de clous. Si une bobine de clous est manipulée de manière brusque, elle risque d'être déformée ou de se détacher, causant une mauvaise alimentation en clous. (Fig. 14) Évitez de ranger les clous dans un endroit très humide ou chaud, ou dans un endroit exposé directement aux rayons du soleil. (Fig. 15)

## ENTRETIEN

### ⚠ ATTENTION :

- Déconnectez toujours le tuyau d'air de l'outil avant d'effectuer tout travail d'inspection ou d'entretien.
- N'utilisez jamais d'essence, benzine, diluant, alcool ou autre produit similaire. Cela risquerait de provoquer la décoloration, la déformation ou la fissuration de l'outil.

### Entretien de la cloueuse

Avant d'utiliser l'outil, assurez-vous qu'il est en bon état et qu'aucune de ses vis n'est desserrée. Le cas échéant, serrez les vis. (Fig. 16)

En débranchant l'outil, inspectez-le quotidiennement pour vous assurer que l'élément de contact et la gâchette se déplacent librement. N'utilisez pas l'outil si l'élément de contact ou la gâchette se bloque ou se coince. (Fig. 17)

Si vous prévoyez laisser l'outil inutilisé pour une période prolongée, graissez-le avec de l'huile à outil pneumatique et rangez-le dans un endroit sûr. Évitez de l'exposer directement aux rayons du soleil ou de le laisser dans un environnement humide ou chaud. (Fig. 18 et 19)

## Entretien du compresseur, de la chambre à air et du tuyau d'air

Après l'utilisation, videz toujours le réservoir du compresseur et le filtre à air. L'outil risque de mal fonctionner ou de tomber en panne si l'humidité y pénètre. (Fig. 20 et 21)

Vérifiez régulièrement la chambre à air pour vous assurer que le réservoir d'huile contient assez d'huile à outil pneumatique. Les joints toriques s'useront rapidement s'ils ne sont pas toujours bien graissés. (Fig. 22)

Gardez le tuyau d'air à l'écart de la chaleur (plus de 60°C) et des produits chimiques (diluants, acides puissants, substances alcalines). Il faut également faire courir le tuyau à l'écart des obstacles où il risquerait de se coincer pendant l'utilisation de l'outil.

Les tuyaux doivent également être placés à l'écart des bords tranchants et de toute surface pouvant entraîner l'endommagement ou l'abrasion du tuyau. (Fig. 23)

Pour assurer la SÉCURITÉ et la FIABILITÉ du produit, toute réparation et tout travail d'entretien ou de réglage doivent être effectués par un Centre de service après-vente agréé Makita, avec des pièces de rechange Makita.

## ACCESSOIRES EN OPTION

### ⚠ ATTENTION :

- Ces accessoires ou pièces complémentaires sont recommandés pour l'utilisation avec l'outil Makita spécifié dans ce mode d'emploi. L'utilisation de tout autre accessoire ou pièce peut comporter un risque de blessure. N'utilisez les accessoires ou pièces qu'aux fins mentionnées dans le présent mode d'emploi.

Si vous désirez obtenir plus de détails concernant ces accessoires, veuillez contacter le centre de service après-vente Makita le plus près.

- Clous
- Tuyaux d'air
- Lunettes de protection

### NOTE :

- Il se peut que certains éléments de la liste soient compris dans l'emballage de l'outil en tant qu'accessoires standard. Ils peuvent varier d'un pays à l'autre.

ENG905-1

## Bruit

Niveau de bruit pondéré A typique, déterminé selon EN792 :

Niveau de pression sonore ( $L_{pA}$ ) : 98,3 dB (A)  
Niveau de puissance sonore ( $L_{WA}$ ) : 98,9 dB (A)  
Incertitude (K) : 2,5 dB (A)

### Porter des protecteurs anti-bruit

ENG904-2

## Vibrations

Valeur totale de vibrations déterminée selon EN792 :

Émission de vibrations ( $a_h$ ) : 2,52 m/s<sup>2</sup>  
Incertitude (K) : 1,26 m/s<sup>2</sup>

ENG901-1

- La valeur d'émission de vibrations déclarée a été mesurée conformément à la méthode de test standard et peut être utilisée pour comparer les outils entre eux.
- La valeur d'émission de vibrations déclarée peut aussi être utilisée pour l'évaluation préliminaire de l'exposition.

### ⚠ AVERTISSEMENT :

- L'émission de vibrations lors de l'usage réel de l'outil électrique peut être différente de la valeur d'émission déclarée, suivant la façon dont l'outil est utilisé.
- Les mesures de sécurité à prendre pour protéger l'utilisateur doivent être basées sur une estimation de l'exposition dans des conditions réelles d'utilisation (en tenant compte de toutes les composantes du cycle d'utilisation, comme par exemple le moment de sa mise hors tension, lorsqu'il tourne à vide et le moment de son déclenchement).

ENH101-15

## Pour les pays d'Europe uniquement

### Déclaration de conformité CE

**Makita Corporation, en tant que fabricant responsable, déclare que la ou les machines suivantes :**

Désignation de la machine :

Pistolet Clouer

N° de modèle / Type : AN902

sont produites en série et

**sont conformes aux Directives européennes suivantes :**  
2006/42/CE

et qu'elles sont fabriquées conformément aux normes ou documents normalisés suivants :

EN792

La documentation technique est conservée par notre représentant agréé en Europe, à savoir :

Makita International Europe Ltd.

Michigan Drive, Tongwell,

Milton Keynes, Bucks MK15 8JD, Angleterre

29.3.2011



Tomoyasu Kato

Directeur

Makita Corporation

3-11-8, Sumiyoshi-cho,  
Anjo, Aichi, 446-8502, JAPAN



**Übersicht**

1 Druckluftwerkzeugöl	8 Magazindeckel	15 Betriebsartenschalter
2 Einsteller	9 Magazinboden	16 Hammer
3 Vorsprung	10 Teilstrich	17 Kleine Stange
4 Loch	11 Vorschubklau	18 Ablasshahn
5 Mundstückadapter	12 Anschlussnippel	19 Luftfilter
6 Tür	13 Anschlussmuffe	20 Öl
7 Rasthebel	14 Auslöser	21 Druckluftöl

**TECHNISCHE DATEN**

Modell	AN902
Luftdruck	0,49 – 0,83 MPa (4,9 – 8,3 bar)
Nagellänge	Drahtverbundener Coil-Nagel 45 mm – 90 mm
Nagelkapazität	150 – 300 Stücke
Min. Schlauchdurchmesser	6,5 mm
Druckluftwerkzeugöl	Turbinenöl
Abmessungen (L x B x H)	318 mm x 128 mm x 378 mm
Nettogewicht	3,5 kg

- Wir behalten uns vor, Änderungen im Zuge der Entwicklung und des technischen Fortschritts ohne vorherige Ankündigung vorzunehmen.
- Die technischen Daten können von Land zu Land abweichen.
- Gewicht nach EPTA-Verfahren 01/2003

ENE059-1

**Vorgesehene Verwendung**

Das Werkzeug ist für vorbereitende Innenarbeiten, wie das Befestigen von Bodenbalken oder allgemeinen Dachsparren und Balkenwerk beim 2" x 4" Hausbau, vorgesehen.

ENB090-4

**WICHTIGE SICHERHEITSANWEISUNGEN**

**WARNUNG: BEI DER BENUTZUNG DIESES WERKZEUGS MÜSSEN ZUR VERRINGERUNG DER VERLETZUNGSGEFAHR STETS DIE GRUNDSÄTZLICHEN SICHERHEITSHINWEISE, EINSCHLIESSLICH DER FOLGENDEN HINWEISE, BEFOLGT WERDEN:**

**ALLE ANWEISUNGEN DURCHLESEN.**

- Um Ihre persönliche Sicherheit und sachgerechten Betrieb und Wartung des Werkzeugs zu gewährleisten, sollten Sie diese Bedienungsanleitung vor der Benutzung des Werkzeugs durchlesen.
- Tragen Sie zum Schutz Ihrer Augen vor Staub oder Nagelverletzungen stets eine Schutzbrille.  
**WARNUNG:**  
 Der Arbeitgeber ist dafür verantwortlich, den Gebrauch von Schutzbrillen für die Werkzeugbenutzer und andere Personen im unmittelbaren Arbeitsbereich durchzusetzen.

- Tragen Sie einen Gehörschutz, um Ihre Ohren vor dem Auspuffgeräusch und Kopfverletzungen zu schützen. Tragen Sie auch leichte, aber keine lose Kleidung. Ärmel müssen zugeknöpft oder hochgerollt werden. Tragen Sie keine Krawatte.
- Elle bei der Arbeit oder gewaltsamer Gebrauch des Werkzeugs ist gefährlich. Behandeln Sie das Werkzeug sorgfältig. Benutzen Sie das Werkzeug nicht unter dem Einfluss von Alkohol, Drogen oder dergleichen.
- Allgemeine Richtlinien zur Handhabung des Werkzeugs:
  1. Gehen Sie stets von der Annahme aus, dass das Werkzeug Nägel enthält.
  2. Richten Sie das Werkzeug niemals auf sich selbst oder andere Personen, ganz gleich, ob es Nägel enthält oder nicht.
  3. Betätigen Sie das Werkzeug nur, wenn es fest auf das Werkstück aufgesetzt ist.
  4. Respektieren Sie das Werkzeug als Arbeitsmittel.
  5. Kein Herumalbern.
  6. Halten oder tragen Sie das Werkzeug nicht mit dem Finger am Auslöser.
  7. Beladen Sie das Werkzeug nicht mit Nägeln, wenn eines der Bedienelemente aktiviert ist.
  8. Betreiben Sie das Werkzeug nur mit der in den Betriebs-/Sicherheitsanweisungen des Werkzeugs angegebenen Energiequelle.
- Benutzen Sie das Werkzeug nicht, wenn es nicht einwandfrei funktioniert.
- Bei der Benutzung des Werkzeugs können manchmal Funken fliegen. Benutzen Sie das Werkzeug nicht in der Nähe leichtflüchtiger, brennbarer Substanzen, wie Benzin, Verdünner, Lack, Gas, Klebstoff usw., weil diese Feuer fangen und explodieren können, was schwere Verletzungen zur Folge haben kann.

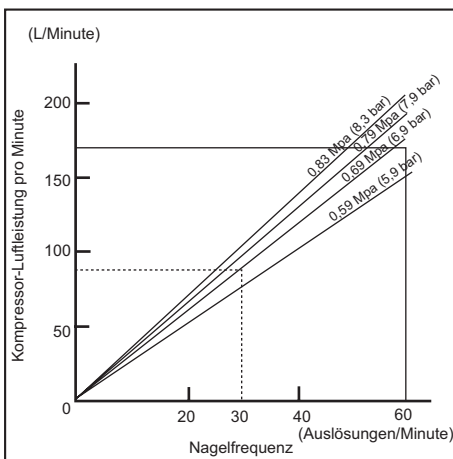
- Der Arbeitsplatz sollte ausreichend beleuchtet sein, um sicheres Arbeiten zu gewährleisten. Der Arbeitsplatz sollte sauber und aufgeräumt sein. Achten Sie besonders auf guten Stand und Gleichgewicht.
- Nur mit der Arbeit beschäftigte Personen sollten sich in der Nähe aufhalten. Besonders Kinder müssen immer ferngehalten werden.
- Befolgen Sie etwaige örtliche Lärmschutzvorschriften, indem Sie die Geräuschpegel innerhalb der vorgeschriebenen Grenzen halten. In bestimmten Fällen sollten Jalousien verwendet werden, um Lärm einzudämmen.
- Spielen Sie nicht mit dem Kontaktfuß herum: Er verübt eine versehentliche Auslösung, weshalb er montiert bleiben muss und nicht entfernt werden darf. Die Arretierung des Auslösers in der Einschaltstellung ist ebenfalls sehr gefährlich. Versuchen Sie niemals, den Auslöser zu arretieren. Benutzen Sie das Werkzeug nicht, falls irgendein Bedienelement des Werkzeugs funktionsunfähig, abgetrennt, abgeändert oder mangelhaft ist.
- Betreiben Sie das Werkzeug innerhalb des vorgeschriebenen Luftdruckbereichs von 0,49 – 0,83 MPa (4,9 – 8,3 bar), um Sicherheit und längere Lebensdauer des Werkzeugs zu gewährleisten. Überschreiten Sie nicht den empfohlenen max. Betriebsdruck von 0,83 MPa (8,3 bar). Das Werkzeug darf nicht an eine Druckluftquelle angeschlossen werden, deren Druck 1,37 MPa (13,7 bar) überschreiten kann.
- Vergewissern Sie sich, dass der vom Druckluftsystem gelieferte Luftdruck nicht den höchstzulässigen Luftdruck des Naglers überschreitet. Stellen Sie den Luftdruck anfänglich auf den niedrigeren Wert des empfohlenen zulässigen Drucks ein (siehe TECHNISCHE DATEN).
- Betreiben Sie das Werkzeug nur mit Druckluft. Falls Flaschengas (Kohlendioxid, Sauerstoff, Stickstoff, Wasserstoff, Pressluft usw.) oder brennbares Gas (Wasserstoff, Propan, Acetylen usw.) als Treibgas für dieses Werkzeug verwendet wird, besteht die Gefahr, dass das Werkzeug explodiert und schwere Verletzungen verursacht.
- Überprüfen Sie das Werkzeug vor der Benutzung stets auf seinen Allgemeinzustand und lockere Schrauben. Erforderlichenfalls anziehen.
- Vergewissern Sie sich vor der Benutzung, dass alle Sicherheitssysteme in gutem Betriebszustand sind. Das Werkzeug darf nicht auslösen, wenn nur der Auslöser gezogen oder nur der Kontaktarm gegen das Holz gedrückt wird. Es darf nur auslösen, wenn beide Aktionen durchgeführt werden. Überprüfen Sie das Werkzeug mit leerem Magazin und voll angezogenem Drücker auf möglichen fehlerhaften Betrieb.
- Überprüfen Sie Wand, Decke, Fußboden, Dach und dergleichen sorgfältig, um durch Kontakt mit stromführenden Kabeln, Isolierrohren oder Gasrohren verursachte mögliche elektrische Schläge, Gaslecks, Explosionen usw. zu vermeiden.
- Verwenden Sie nur die in dieser Anleitung angegebenen Nägel. Die Verwendung anderer Nägel kann eine Funktionsstörung des Werkzeugs verursachen.
- Benutzen Sie niemals mit der Aufschrift „Nicht auf Gerüsten, Leitern verwenden“ versehene Nagler für spezifische Anwendungen, wie z.B.:
  - wenn für einen Arbeitsplatzwechsel Gerüste, Treppen, Leitern oder leiterähnliche Konstruktionen, wie z.B. Dachlatten erforderlich sind;
  - zum Verschließen von Kisten oder Verschlägen;
  - zum Anbringen von Transportsicherheitssystemen z.B. an Fahrzeugen und Wagen.
- Ungeübten Personen ist die Benutzung des Werkzeugs zu untersagen.
- Vergewissern Sie sich, dass keine Personen in der Nähe sind, bevor Sie mit dem Nageln beginnen. Versuchen Sie niemals, gleichzeitig von innen und außen zu nageln. Nägel können durchschlagen und/oder herausfliegen, was eine große Gefahr darstellt.
- Achten Sie beim Arbeiten mit dem Werkzeug auf sicheren Stand und Gleichgewicht. Vergewissern Sie sich, dass sich bei Arbeiten an hochgelegenen Arbeitsplätzen keine Personen unterhalb aufhalten, und sichern Sie den Luftschlauch, um Gefahren zu verhüten, falls er plötzlich ruckt oder hängen bleibt.
- Bewegen Sie sich beim Nageln auf Dächern und anderen hochgelegenen Orten in Vorwärtsrichtung. Wenn Sie sich rückwärts bewegen, können Sie leicht den Stand verlieren. Nageln Sie bei Arbeiten an senkrechten Flächen von oben nach unten. Dadurch ermüden Sie nicht so schnell beim Nageln.
- Ein Nagel kann sich verbiegen oder im Werkzeug verklemmen, wenn Sie versehentlich auf einen anderen Nagel oder einen Knoten im Holz treffen. Der Nagel kann herausgeschleudert werden und jemanden treffen, oder das Werkzeug selbst kann gefährlich reagieren. Setzen Sie die Nägel mit Sorgfalt.
- Lassen Sie das geladene Werkzeug oder den Kompressor nicht längere Zeit unter Druck in der Sonne liegen. Achten Sie darauf, dass am Ablageplatz des Werkzeugs kein Staub, Sand, Späne oder Fremdkörper in das Werkzeug eindringen.
- Richten Sie die Auswurföffnung nicht auf in der Nähe befindliche Personen. Halten Sie Hände und Füße vom Bereich der Auswurföffnung fern.
- Tragen Sie das Werkzeug bei angeschlossenem Luftschlauch nicht mit dem Finger am Auslöser, und übergeben Sie es in diesem Zustand auch nicht anderen Personen. Versehentliche Auslösung kann äußerst gefährlich sein.
- Behandeln Sie das Werkzeug sorgfältig, da es unter hohem Druck steht, der gefährlich sein kann, falls ein Riss durch grobe Behandlung (Fallenlassen oder Anstoßen) verursacht wird. Versuchen Sie nicht, in das Werkzeug einzuritzen oder einzugravieren.
- Brechen Sie den Nagelbetrieb sofort ab, wenn Sie einen Defekt oder etwas Ungewöhnliches am Werkzeug feststellen.
- Trennen Sie stets den Luftschlauch ab und entfernen Sie alle Nägel:
  1. Wenn das Werkzeug unbeaufsichtigt ist.
  2. Bevor Sie Wartungs- oder Reparaturarbeiten durchführen.
  3. Bevor Sie einen Nagelstau beseitigen.
  4. Bevor Sie das Werkzeug zu einem anderen Ort transportieren.

- Führen Sie eine Reinigung und Wartung unmittelbar nach Abschluss der Arbeit durch. Halten Sie das Werkzeug stets in einwandfreiem Zustand. Schmieren Sie bewegliche Teile, um Rostbildung zu verhüten und Reibungsverschleiß zu minimieren. Säubern Sie alle Teile von Staub.
- Nehmen Sie keine Änderungen am Werkzeug vor, die nicht von Makita genehmigt wurden.
- Lassen Sie das Werkzeug regelmäßig von autorisierten Makita-Kundendienststellen überprüfen.
- Um die SICHERHEIT und ZUVERLÄSSIGKEIT dieses Produkts zu gewährleisten, sollten Reparatur- und Wartungsarbeiten nur von autorisierten Makita-Kundendienstzentren unter ausschließlicher Verwendung von Makita-Originalersatzteilen ausgeführt werden.
- Verwenden Sie nur das in dieser Anleitung angegebene Druckluftwerkzeugöl.
- Schließen Sie das Werkzeug niemals an eine Druckluftleitung an, deren Luftdruck den in der Tabelle „TECHNISCHE DATEN“ angegebenen empfohlenen Luftdruckbereich des Werkzeugs um 10 % überschreitet.
- Druckluftnagler sollten nur mit dem für die anstehende Arbeit erforderlichen Minimaldruck betrieben werden, um unnötig hohe Geräuschpegel, erhöhten Verschleiß und daraus resultierende Ausfälle zu verhüten.
- Versuchen Sie nicht, den Auslöser oder den Kontaktfuß mit Klebeband oder Draht gedrückt zu halten. Es kann sonst zu tödlichen oder schweren Verletzungen kommen.
- Überprüfen Sie den Kontaktfuß gemäß der Anweisung in dieser Anleitung. Falls der Sicherheitsmechanismus nicht korrekt funktioniert, können Nägel versehentlich abgeschossen werden.

## DIESE ANWEISUNGEN AUFBEWAHREN.

## INSTALLATION

### Wahl des Kompressors



Der Luftkompressor muss den Anforderungen von EN60335-2-34 entsprechen.

Wählen Sie einen Kompressor mit reichlicher Luftdruck- und Luftmengenleistung, um kosteneffizienten Betrieb zu gewährleisten. Das Diagramm zeigt die Beziehung zwischen Nagelfrequenz, anwendbarem Druck und Kompressor-Luftleistung.

Wenn der Nagelbetrieb beispielsweise mit einer Rate von ca. 30 Auslösungen pro Minute bei einem Druck von 0,69 MPa (6,9 bar) erfolgt, ist ein Kompressor mit einer Luftmengenleistung von über 80 L/Minute erforderlich.

Druckregler müssen verwendet werden, um den Luftdruck auf den Nenndruck des Werkzeugs zu begrenzen, wenn der Luftquellendruck den Nenndruck des Werkzeugs überschreitet. Eine Missachtung dieses Punkts kann zu schweren Verletzungen des Werkzeugbenutzers oder in der Nähe befindlicher Personen führen.

### Wahl des Luftschlauchs (Abb. 1)

Verwenden Sie einen möglichst dicken und kurzen Luftschlauch, um kontinuierlichen, effizienten Nagelbetrieb zu gewährleisten. Bei einem Luftdruck von 0,49 MPa (4,9 bar) wird ein Luftschlauch mit einem Innendurchmesser von über 6,5 mm und einer Länge von unter 20 m empfohlen, wenn das Nagelintervall 0,5 Sekunden beträgt. Der Luftschlauch muss eine minimale Arbeitsdruckleistung von 1,03 MPa (10,3 bar) oder 150 Prozent des im System erzeugten Maximaldrucks haben, je nachdem, welcher Wert höher ist.

### ⚠ VORSICHT:

- Eine zu geringe Luftleistung des Kompressors oder ein Luftschlauch mit einer zu großen Länge oder einem zu kleinen Durchmesser in Bezug auf die Nagelfrequenz kann eine Abnahme der Eintreibleistung des Werkzeugs verursachen.

### Schmierung

Um maximale Leistung zu gewährleisten, sollte der Luftsatz (Öler, Regler, Luftfilter) möglichst nahe am Werkzeug installiert werden. Stellen Sie den Öler so ein, dass er einen Tropfen Öl für jeweils 30 Nägel liefert. (Abb. 2) Wenn kein Luftsatz verwendet wird, ölen Sie das Werkzeug mit Druckluftwerkzeugöl, indem Sie 2 (zwei) bis 3 (drei) Tropfen in den Anschlussnippel geben. Dies sollte vor und nach dem Gebrauch erfolgen. Für eine einwandfreie Schmierung muss das Werkzeug ein paar Mal ausgelöst werden, nachdem das Druckluftwerkzeugöl eingegeben worden ist. (Abb. 3)

## FUNKTIONSBESCHREIBUNG

### ⚠ VORSICHT:

- Trennen Sie stets den Schlauch ab, bevor Sie die Funktion des Werkzeugs einstellen oder überprüfen.

## Einstellen der Nageltiefe (Abb. 4)

Zum Einstellen der Nageltiefe den Einsteller drehen. Die Nageltiefe ist am größten, wenn der Einsteller vollständig in Richtung A gedreht wird, wie in der Abbildung gezeigt. Die Nageltiefe wird geringer, je weiter der Einsteller in Richtung B gedreht wird. Falls die Eintreibtiefe der Nägel nicht groß genug ist, selbst wenn der Einsteller vollständig in Richtung A gedreht wird, erhöhen Sie den Luftdruck. Falls die Eintreibtiefe der Nägel zu groß ist, selbst wenn der Einsteller vollständig in Richtung B gedreht wird, verringern Sie den Luftdruck. Im Allgemeinen verlängert sich die Lebensdauer des Werkzeugs, wenn es bei niedrigerem Luftdruck verwendet und der Einsteller auf eine geringere Nageleintreibtiefe eingestellt wird.

### ⚠ VORSICHT:

- Trennen Sie stets den Schlauch ab, bevor Sie die Nageltiefe einstellen.

## Benutzung des Mundstückadapters (Abb. 5)

### ⚠ VORSICHT:

- Trennen Sie stets den Schlauch ab, bevor Sie den Mundstückadapter anbringen oder abnehmen.

Wenn Sie die Oberfläche des Werkstücks schützen möchten, bringen Sie den Mundstückadapter des Kontaktelements an.

Wenn Sie Werkstücke mit empfindlicher Oberfläche nageln, verwenden Sie den Mundstückadapter. Um den Mundstückadapter am Kontaktelement anzubringen, drücken Sie ihn auf das Kontaktelement, bis die Vorsprünge an drei Stellen im Inneren des Mundstückadapters in den drei Löchern des Kontaktelements sitzen.

## MONTAGE

### ⚠ VORSICHT:

- Trennen Sie stets den Luftschlauch ab, bevor Sie irgendwelche Arbeiten am Werkzeug ausführen.

## Beladen des Naglers

Wählen Sie die für Ihre Arbeit geeigneten Nägel aus. Drücken Sie den Rasthebel nieder, um die Tür zu öffnen. Öffnen Sie dann den Magazindeckel. (Abb. 6)

Heben Sie den Magazinboden an, und drehen Sie ihn so, dass der Pfeil mit der Nagelgrößenanzeige auf dem Magazinboden auf den entsprechenden Teilstrich am Magazin zeigt. Falls das Werkzeug mit falsch eingestelltem Magazinboden betrieben wird, kann es zu schlechtem Nageltransport oder einer Funktionsstörung des Werkzeugs kommen. (Abb. 7)

Legen Sie den Nagelgurt auf den Magazinboden. Wickeln Sie den Gurt so weit ab, dass die Nägel die Vorschubklaue erreichen. Platzieren Sie den ersten Nagel in den Treiberkanal und den zweiten Nagel in die Vorschubklaue. Platzieren Sie weitere abgewinkelte Nägel auf den Zuführer. Schließen Sie den Magazindeckel, nachdem Sie sich vergewissert haben, dass der Nagelgurt korrekt in das Magazin eingelegt ist. (Abb. 8)

## Anschließen des Luftschlauchs (Abb. 9)

Schieben Sie die Anschlussmuffe des Luftschlauchs auf den Anschlussnippel des Naglers. Vergewissern Sie sich, dass die Anschlussmuffe fest einrastet, wenn sie auf den Anschlussnippel geschoben wird. Eine Schlauchkupplung muss so am Werkzeug oder in dessen Nähe installiert werden, dass der Druckvorrat abgelassen wird, wenn die Luftquellenkupplung abgetrennt wird.

## BETRIEB

### ⚠ VORSICHT:

- Vergewissern Sie sich vor der Benutzung, dass alle Sicherheitssysteme in gutem Betriebszustand sind.

### Für Dauernagelmodus

Drehen Sie den Hebel auf die Position III, während Sie den Knopf auf der anderen Seite des Hebels drücken. (Abb. 10 und 11)

1. Um einen Nagel einzutreiben, setzen Sie den Kontaktfuß auf das Werkstück und ziehen den Auslöser.
  2. Ziehen Sie zuerst den Auslöser, und setzen Sie dann den Kontaktfuß auf das Werkstück.
- Die Methode Nr. 1 eignet sich für absatzweises Nageln, wenn Sie einen Nagel sorgfältig und sehr genau eintreiben wollen. Die Methode Nr. 2 eignet sich für kontinuierliches Nageln.

### ⚠ VORSICHT:

- Der Betrieb des Werkzeugs ohne Nägel führt zu einer Verkürzung seiner Lebensdauer und sollte vermieden werden.

### Für sequentiellen Modus (absatzweises Nageln) (Abb. 12)

Drehen Sie den Hebel auf die Position I, während Sie den Knopf auf der anderen Seite des Hebels drücken.

Um einen Nagel einzutreiben, setzen Sie den Kontaktfuß auf das Werkstück und ziehen den Auslöser.

### ⚠ VORSICHT:

- BEI HALB GEDRÜCKTEM AUSLÖSER kann eine plötzliche Auslösung erfolgen, falls der Kontaktfuß unter dem Einfluss des Rückpralls erneut mit dem Werkstück oder einer anderen Oberfläche in Berührung kommt. Um eine solche plötzliche Auslösung zu vermeiden, beachten Sie Folgendes:

- A. Drücken sie den Kontaktfuß nicht mit übermäßiger Kraft gegen das Werkstück.
- B. Drücken Sie den Auslöser ganz durch, und halten Sie ihn nach dem Nageln noch 1 bis 2 Sekunden lang gedrückt.

- Der Betrieb des Werkzeugs ohne Nägel führt zu einer Verkürzung seiner Lebensdauer und sollte vermieden werden.

### Blockierter Nagler (Abb. 13)

### ⚠ VORSICHT:

- Trennen Sie stets den Luftschlauch ab, und nehmen Sie die Nägel aus dem Magazin heraus, bevor Sie eine Blockierung beseitigen.

Gehen Sie bei einer Blockierung des Naglers folgendermaßen vor:

Öffnen Sie den Magazindeckel, und entnehmen Sie die Nagelcoil. Führen Sie eine kleine Stange oder dergleichen in die Auswurföffnung ein, und klopfen Sie mit einem Hammer darauf, um den klemmenden Nagel aus der Auswurföffnung auszutreiben. Legen Sie die Nagelcoil wieder ein, und schließen Sie den Magazindeckel.

## Nägel

Behandeln Sie Nagelgurte und ihre Schachteln sorgfältig. Bei grober Behandlung der Nagelcoils können sie sich verformen, oder ihre Verbinder können brechen, was schlechten Nageltransport verursacht. **(Abb. 14)** Vermeiden Sie die Lagerung von Nägeln an sehr feuchten oder heißen Orten oder an Orten, die direktem Sonnenlicht ausgesetzt sind. **(Abb. 15)**

## WARTUNG

### ⚠ VORSICHT:

- Trennen Sie stets den Luftschlauch vom Werkzeug ab, bevor Sie Inspektions- oder Wartungsarbeiten ausführen.
- Verwenden Sie auf keinen Fall Benzin, Benzol, Verdünnern, Alkohol oder dergleichen. Solche Mittel können Verfärbung, Verformung oder Rissbildung verursachen.

### Wartung des Naglers

Überprüfen Sie das Werkzeug vor der Benutzung stets auf seinen Allgemeinzustand und lockere Schrauben. Erforderlichenfalls anziehen. **(Abb. 16)**

Führen Sie die tägliche Inspektion bei abgetrennter Werkzeug durch, um sicherzustellen, dass sich Kontaktfuß und Auslöser ungehindert bewegen. Benutzen Sie das Werkzeug nicht, falls der Kontaktfuß oder der Auslöser klemmt oder blockiert. **(Abb. 17)**

Wenn das Werkzeug längere Zeit nicht benutzt werden soll, schmieren Sie sie mit Druckluftwerkzeugöl, und lagern Sie sie an einem sicheren Ort. Vermeiden Sie Orte, die direktem Sonnenlicht ausgesetzt sind und/oder feuchte oder heiße Umgebungen. **(Abb. 18 u. 19)**

### Wartung von Kompressor, Luftsatz und Luftschlauch

Nach jedem Betrieb sollten Kompressor Tank und Luftfilter entleert werden. In das Werkzeug eingedrungene Feuchtigkeit kann eine Verschlechterung der Leistung und ein mögliches Versagen des Werkzeugs verursachen. **(Abb. 20 u. 21)**

Prüfen Sie regelmäßig nach, ob genügend Druckluftöl im Öl des Luftsatzes vorhanden ist. Eine Vernachlässigung der Schmierung führt zu schnellem Verschleiß der O-Ringe. **(Abb. 22)**

Halten Sie den Luftschlauch von Wärmequellen (über 60°C) und Chemikalien (Verdünnern, starken Säuren oder Laugen) fern. Achten Sie auch darauf, dass sich der Schlauch nicht an Hindernissen verfängt, was während des Betriebs gefährlich sein kann.

Der Schlauch darf auch nicht mit scharfen Kanten oder Gegenständen in Berührung kommen, die eine Beschädigung oder Abrieb des Schlauchs verursachen können. **(Abb. 23)**

Um die SICHERHEIT und ZUVERLÄSSIGKEIT dieses Produkts zu gewährleisten, sollten Reparaturen und andere Wartungs- oder Einstellarbeiten nur von autorisierten Makita-Kundendienstzentren unter ausschließlicher Verwendung von Makita-Originalersatzteilen ausgeführt werden.

## SONDERZUBEHÖR

### ⚠ VORSICHT:

- Die folgenden Zubehörteile oder Vorrichtungen werden für den Einsatz mit der in dieser Anleitung beschriebenen Makita-Maschine empfohlen. Die Verwendung anderer Zubehörteile oder Vorrichtungen kann eine Verletzungsgefahr darstellen. Verwenden Sie Zubehörteile oder Vorrichtungen nur für ihren vorgesehenen Zweck.

Wenn Sie weitere Einzelheiten bezüglich dieser Zubehörteile benötigen, wenden Sie sich bitte an Ihre Makita-Kundendienststelle.

- Nägel
- Luftschläuche
- Schutzbrille

### HINWEIS:

- Manche Teile in der Liste können als Standardzubehör im Werkzeugsatz enthalten sein. Sie können von Land zu Land unterschiedlich sein.

ENG905-1

### Geräusch

Typischer A-bewerteter Geräuschpegel ermittelt gemäß EN792:

Schalldruckpegel ( $L_{pA}$ ): 98,3 dB (A)  
Schalleistungspegel ( $L_{WA}$ ): 98,9 dB (A)  
Ungewissheit (K): 2,5 dB (A)

### Gehörschutz tragen

ENG904-2

### Vibration

Vibrationsgesamt看wert ermittelt gemäß EN792:

Vibrationsemission ( $a_{hV}$ ): 2,52  $m/s^2$   
Ungewissheit (K): 1,26  $m/s^2$

ENG901-1

- Der angegebene Vibrationsemissionswert wurde im Einklang mit der Standardprüfmethode gemessen und kann für den Vergleich zwischen Maschinen herangezogen werden.
- Der angegebene Vibrationsemissionswert kann auch für eine Vorbewertung des Gefährdungsgrads verwendet werden.

### ⚠ WARNUNG:

- Die Vibrationsemission während der tatsächlichen Benutzung des Elektrowerkzeugs kann je nach der Benutzungsweise der Maschine vom angegebenen Emissionswert abweichen.
- Identifizieren Sie Sicherheitsmaßnahmen zum Schutz des Benutzers anhand einer Schätzung des Gefährdungsgrads unter den tatsächlichen Benutzungsbedingungen (unter Berücksichtigung aller Phasen des Arbeitszyklus, wie z. B. Ausschalt- und Leerlaufzeiten der Maschine zusätzlich zur Betriebszeit).

**Nur für europäische Länder**

**EG-Übereinstimmungserklärung**

**Wir, die Firma Makita als verantwortlicher Hersteller, erklären, dass die folgende(n) Makita-Maschine(n):**

Bezeichnung der Maschine: Coilnagler

Modell-Nr./ Typ: AN902

der Serienproduktion entstammen und

**den folgenden europäischen Richtlinien entsprechen:**

2006/42/EG

und gemäß den folgenden Standards oder standardisier-  
ten Dokumenten hergestellt werden:

EN792

Die technische Dokumentation befindet sich im Bestand  
unserer autorisierten Vertretung in Europa, nämlich:

Makita International Europe Ltd.

Michigan Drive, Tongwell,

Milton Keynes, Bucks MK15 8JD, England

29.3.2011



Tomoyasu Kato

Direktor

Makita Corporation

3-11-8, Sumiyoshi-cho,

Anjo, Aichi, 446-8502, JAPAN

**Visione generale**

1	Olio pneumatico	8	Tappo della cartuccia	15	Leva di cambio
2	Regolatore	9	Piastra di supporto bobina	16	Martello
3	Sporgenze	10	Graduazione	17	Piccola asta
4	Foro	11	Dente di alimentazione	18	Rubinetto di scarico
5	Adattatore punta	12	Elemento aria	19	Filtro aria
6	Sportello	13	Presa aria	20	Oliatore
7	Leva di chiusura	14	Grilletto	21	Olio pneumatico

**DATI TECNICI**

Modello	AN902
Pressione aria	0,49 – 0,83 MPa (4,9 – 8,3 bar)
Lunghezza chiodi	Chiodi bobina trattenuti da cavo 45 mm – 90 mm
Capacità chiodi	150 – 300 pezzi
Diametro minimo tubo	6,5 mm
Olio pneumatico	Olio turbina
Dimensioni (L x P x A)	318 mm x 128 mm x 378 mm
Peso netto	3,5 kg

- Per il nostro programma di ricerca e sviluppo continui, i dati tecnici sono soggetti a modifiche senza preavviso.
- I dati tecnici potrebbero differire a seconda del paese di destinazione del modello.
- Peso in base alla procedura EPTA 01/2003

ENE059-1

**Scopo prefissato**

Questo utensile è progettato per il lavoro preliminare in interni, come fissare i travicelli per pavimento, travetti comuni o lavoro di incorniciatura negli alloggiamenti 2" x 4".

ENB090-4

**ISTRUZIONI IMPORTANTI PER LA SICUREZZA**

**AVVERTIMENTO: PER RIDURRE IL RISCHIO DI LESIONI PERSONALI, USANDO QUESTO UTENSILE BISOGNA SEMPRE OSSERVARE LE PRECAUZIONI DI BASE PER LA SICUREZZA COMPRESSE QUELLE SEGUENTI:**

**LEGGERE TUTTE LE ISTRUZIONI.**

- Per la propria sicurezza personale e per il funzionamento e la manutenzione corretti dell'utensile, leggere questo manuale di istruzioni prima di usarlo.
  - Portare sempre gli occhiali di protezione per proteggere gli occhi dalla polvere o dai chiodi.
- AVVERTIMENTO:**  
È responsabilità del datore di lavoro di obbligare gli operatori dell'utensile e le persone nelle immediate vicinanze a portare occhiali di protezione.
- Indossare paraorecchi per proteggere le orecchie dal rumore di scarico. Indossare anche un casco. Indossare sempre abiti leggeri e aderenti. Le maniche devono essere abbottonate o rimboccate. Non si deve portare la cravatta.

- La fretta nel lavoro o lo sforzare l'utensile sono pericolosi. Maneggiare l'utensile con attenzione. Non usarlo sotto l'influenza di alcol, droghe e sostanze simili.
- Principi generali per il maneggiamento dell'utensile:
  1. Presupporre sempre che l'utensile contenga i chiodi.
  2. Non puntare l'utensile su di sé o sugli altri, che contenga o meno i chiodi.
  3. Non attivare l'utensile se non è appoggiato saldamente al pezzo.
  4. Rispettare l'utensile come uno strumento di lavoro.
  5. Non giocare con esso.
  6. Non tenere o trasportare l'utensile con un dito sul grilletto.
  7. Non caricare i chiodi nell'utensile quando uno qualsiasi dei controlli di funzionamento è attivato.
  8. Non far funzionare l'utensile con una fonte di alimentazione diversa da quella specificata nelle istruzioni per l'uso/sicurezza.
- Non si deve usare l'utensile se non funziona correttamente.
- A volte quando si usa l'utensile potrebbero volare delle scintille. Non usare l'utensile vicino a sostanze volatili e infiammabili, come benzina, solventi, vernici, gas, adesivi, ecc., perché possono accendersi ed esplodere causando lesioni serie.
- L'area di lavoro deve essere sufficientemente illuminata per garantire operazioni sicure. L'area di lavoro deve essere pulita e senza rifiuti. Fare particolarmente attenzione a mantenere un buon equilibrio e i piedi bene appoggiati.
- Nelle vicinanze ci deve essere soltanto chi lavora. I bambini devono sempre essere tenuti lontano.
- Ci potrebbero essere delle norme locali sui rumori, che vanno rispettate mantenendo il livello del rumore entro i limiti prescritti. In certi casi, usare dei ripari per limitare il rumore.

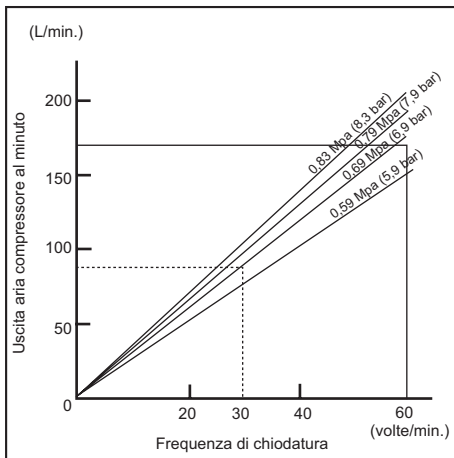
- Non giocare con l'elemento di contatto: Esso impedisce la scarica accidentale, per cui va mantenuto in posizione e non deve essere rimosso. Anche fissare il grilletto in posizione ON è molto pericoloso. Non si deve mai fissare il grilletto. Non usare l'utensile se una parte qualsiasi dei suoi controlli non può essere usata, è staccata, modificata o non funziona correttamente.
- Per la sicurezza e la lunga vita dell'utensile, farlo funzionare con la pressione d'aria specificata di 0,49 – 0,83 MPa (4,9 – 8,3 bar). Non superare la pressione massima raccomandata di 0,83 MPa (8,3 bar). L'utensile non deve essere collegato a una fonte la cui pressione superi potenzialmente 1,37 MPa (13,7 bar).
- Accertarsi che la pressione alimentata al sistema d'aria compressa non superi la pressione massima permessibile dell'utensile di chiodatura. Regolare inizialmente la pressione dell'aria al valore più basso della pressione permessibile raccomandata (vedere i DATI TECNICI).
- L'utensile deve essere usato esclusivamente con aria compressa. Se come fonte di alimentazione dell'utensile si usa una bomboletta del gas (biossido di carbonio, ossigeno, azoto, idrogeno, aria, ecc.) o un gas combustibile (idrogeno, propano, acetilene, ecc.), esso esplose causando lesioni serie.
- Prima dell'uso, controllare sempre le condizioni generali dell'utensile e che non ci siano viti allentate. Stringerle come necessario.
- Accertarsi che tutti i sistemi di sicurezza funzionino correttamente prima dell'uso. L'utensile non deve funzionare se si schiaccia soltanto il grilletto o si preme soltanto il braccio di contatto contro il legno. Esso deve funzionare soltanto quando si eseguono entrambe queste operazioni. Fare una prova senza i chiodi e con l'elemento di spinta completamente tirato.
- Controllare con cura le pareti, i soffitti, i pavimenti e i tetti per evitare potenziali scosse elettriche, perdite di gas, esplosioni, ecc., causate dall'aver colpito fili elettrici sotto tensione, tubazioni o tubi del gas.
- Usare soltanto i chiodi specificati in questo manuale. L'utilizzo di qualsiasi altro tipo di chiodi potrebbe causare il malfunzionamento dell'utensile.
- Non si devono mai usare chiodatrici marcate con il simbolo "Non usare su impalcature, scale a pioli" per applicazioni specifiche, per esempio:
  - se il cambiamento del posto di chiodatura richiede l'utilizzo di impalcature, scale a pioli, montacarichi od altri materiali di costruzione, per esempio travi di legno.
  - per chiudere scatole o casse di legno.
  - sistemi di sicurezza per il trasporto, per es., sui veicoli o vagoni.
- Non far usare l'utensile da chi non lo sa usare.
- Prima della chiodatura, accertarsi che non ci sia nessuno vicino. Non cercare di inchiodare allo stesso tempo da entrambi l'interno e l'esterno. I chiodi potrebbero trapassare e/o volare via, con grave pericolo.
- Usando l'utensile, guardare dove si mettono i piedi e mantenersi in equilibrio. Accertarsi che sotto non ci sia nessuno quando si lavora in luoghi alti, e fissare il tubo dell'aria per evitare pericoli se c'è un movimento improvviso o se rimane impigliato.
- Sui tetti ed altri luoghi alti, inchiodare spostandosi in avanti. È facile perdere l'appoggio dei piedi se si inchioda andando indietro. Per inchiodare una superficie perpendicolare, procedere dall'alto al basso. In questo modo le operazioni di chiodatura sono meno faticose.
- Un chiodo potrebbe diventare storto o l'utensile incepparsi se si inchioda per sbaglio su un altro chiodo o su un nodo del legno. Il chiodo potrebbe venire scagliato e colpire qualcuno, o l'utensile stesso potrebbe reagire pericolosamente. Piazzare i chiodi con cura.
- Non lasciare l'utensile carico o il compressore d'aria sotto pressione per un lungo periodo di tempo al sole. Fare attenzione che polvere, sabbia, trucioli od altre sostanze estranee non entrino nell'utensile nel posto dove viene lasciato.
- Non puntare il foro di espulsione su qualcuno vicino. Tenere le mani e i piedi lontani dall'area del foro di espulsione.
- Quando si è collegato il tubo dell'aria, non trasportare l'utensile con il dito sul grilletto o passarlo a qualcuno in questa condizione. L'espulsione accidentale dei chiodi può essere estremamente pericolosa.
- Maneggiare l'utensile con attenzione, perché all'interno c'è un'alta pressione che può essere pericolosa se si causa una crepa maneggiandolo in modo sbagliato (facendolo cadere o se subisce un colpo). Fare attenzione a non intagliare o incidere l'utensile.
- Smettere immediatamente la chiodatura se si nota qualcosa di sbagliato o fuori del comune nell'utensile.
- Staccare sempre il tubo dell'aria e rimuovere tutti i chiodi:
  1. Lasciando incustodito l'utensile.
  2. Prima di eseguire un qualsiasi intervento di manutenzione o di riparazione.
  3. Prima di correggere un inceppamento.
  4. Prima di portare l'utensile in un altro luogo.
- Eseguire la pulizia e la manutenzione subito dopo la fine del lavoro. Mantenere l'utensile in ottime condizioni. Lubrificare le parti mobili per evitare che si arrugginiscono e minimizzare l'usura causata dagli attriti. Togliere tutta la polvere dalle parti.
- Non modificare l'utensile senza l'autorizzazione di Makita.
- Richiedere l'ispezione periodica dell'utensile da un centro di assistenza Makita autorizzato.
- Per mantenere la SICUREZZA e l'AFFIDABILITÀ del prodotto, la manutenzione e le riparazioni devono essere fatte da un centro di assistenza Makita autorizzato usando sempre ricambi Makita.
- Usare soltanto l'olio pneumatico specificato in questo manuale.
- L'utensile non deve mai essere collegato a una fonte di aria compressa dove l'aria compressa può superare del 10% la gamma di pressione d'aria appropriata dell'utensile indicata nella tabella "DATI TECNICI".
- Gli utensili di chiodatura azionati da aria compressa devono essere fatti funzionare soltanto alla più bassa pressione richiesta dal lavoro del momento, in modo da evitare livelli di rumore inutilmente alti, l'aumento dell'usura e i conseguenti guasti.
- Non cercare di mantenere il grilletto o l'elemento di contatto schiacciato con nastro adesivo o spago. C'è pericolo di morte o di lesioni gravi.
- Controllare sempre l'elemento di contatto secondo le istruzioni di questo manuale. I chiodi potrebbero venire espulsi accidentalmente se il meccanismo di sicurezza non funziona correttamente.

## CONSERVARE QUESTE ISTRUZIONI.



## INSTALLAZIONE

### Selezione del compressore



Il compressore d'aria deve essere conforme ai requisiti EN60335-2-34.

Per un funzionamento efficiente, selezionare un compressore con una pressione e un'uscita dell'aria ampie. Il grafico mostra il rapporto tra la frequenza di chiodatura, la pressione applicabile e l'uscita d'aria del compressore. Perciò, se per esempio la chiodatura avviene a una velocità di circa 30 volte al minuto a una compressione di 0,69 MPa (6,9 bar), è necessario un compressore con una uscita dell'aria di oltre 80 L/minuto.

Per limitare la pressione dell'aria alla pressione nominale dell'utensile se la pressione di alimentazione dell'aria supera la pressione nominale, bisogna usare regolatori di pressione. In caso contrario, c'è pericolo di lesioni serie per l'operatore e per chi è vicino.

### Selezione del tubo dell'aria (Fig. 1)

Per assicurare un'operazione di chiodatura efficiente e continua, usare un tubo dell'aria quanto più grande e corto possibile. Con una pressione d'aria di 0,49 MPa (4,9 bar) e un intervallo tra una chiodatura e l'altra di 0,5 secondi, si consiglia un tubo con un diametro interno di oltre 6,5 mm e una lunghezza di meno di 20 m. I tubi dell'alimentazione dell'aria devono avere una taratura di pressione lavorativa minima di 1,03 MPa (10,3 bar) o del 150 per cento della pressione massima prodotta nel sistema, quale delle due sia la maggiore.

#### ⚠ATTENZIONE:

- Una bassa uscita dell'aria del compressore, o un tubo dell'aria lungo o con un diametro interno più piccolo in rapporto alla frequenza di chiodatura, potrebbero causare una diminuzione delle capacità dell'utensile.

### Lubrificazione

Per garantire le massime prestazioni, installare un gruppo aria (oliatore, regolatore, filtro aria) quanto più vicino possibile all'utensile. Regolare l'oliatore in modo che venga fornita una goccia d'olio ogni 30 chiodi. (Fig. 2)

Se non si usa un gruppo aria, oliare l'utensile con l'olio pneumatico mettendo 2 o 3 gocce nell'elemento dell'aria. Ciò va fatto prima e dopo l'uso. Per la lubrificazione corretta, l'utensile deve essere usato un paio di volte dopo l'introduzione dell'olio pneumatico. (Fig. 3)

## DESCRIZIONE DEL FUNZIONAMENTO

#### ⚠ATTENZIONE:

- Staccare sempre il tubo dell'aria prima di regolare o di controllare il funzionamento dell'utensile.

### Regolazione della profondità di chiodatura (Fig. 4)

Per regolare la profondità di chiodatura, girare il regolatore. La profondità di chiodatura è massima quando si gira completamente il regolatore nella direzione A mostrata nella illustrazione. Essa si riduce girando il regolatore nella direzione B. Se i chiodi non penetrano sufficientemente anche se il regolatore è girato completamente nella direzione A, aumentare la pressione dell'aria. Se i chiodi penetrano eccessivamente anche se il regolatore è girato completamente nella direzione B, ridurre la pressione dell'aria. In genere, la vita di servizio dell'utensile è maggiore quando viene usato con una pressione dell'aria più bassa e con il regolatore posizionato per una profondità di chiodatura inferiore.

#### ⚠ATTENZIONE:

- Staccare sempre il tubo dell'aria prima di regolare la profondità di chiodatura.

### Usare l'adattatore punta (Fig. 5)

#### ⚠ATTENZIONE:

- Staccare sempre il tubo prima di installare o di rimuovere l'adattatore punta.

Se si desidera proteggere la superficie del pezzo, attaccare l'adattatore punta dell'elemento di contatto.

Quando si chiodano pezzi con superfici che si rovinano facilmente, usare l'adattatore punta. Per attaccare l'adattatore punta all'elemento di contatto, premerlo sull'elemento di contatto finché le sporgenze nei tre punti dentro l'adattatore punta entrano nei tre fori dell'elemento di contatto.

## MONTAGGIO

#### ⚠ATTENZIONE:

- Staccare sempre il tubo dell'aria prima di qualsiasi intervento sull'utensile.

### Caricamento della chiodatrice

Selezionare i chiodi adatti al lavoro. Schiacciare la leva di chiusura e aprire lo sportello. Aprire poi il tappo della cartuccia. (Fig. 6)

Sollevarlo e girare la piastrina di supporto della bobina, in modo che la freccia con le dimensioni dei chiodi indicate sulla piastrina di supporto della bobina sia puntata sull'incremento di graduazione segnato sulla cartuccia. Se si fa funzionare l'utensile con la piastrina di supporto bobina posizionata sul passo sbagliato, i chiodi vengono alimentati malamente o si potrebbe verificare un malfunzionamento dell'utensile. (Fig. 7)

Mettere la bobina dei chiodi sulla piastrina di supporto della bobina. Sbobinare chiodi sufficienti in modo da raggiungere il dente di alimentazione. Mettere il primo chiodo nel canale avviatore e il secondo chiodo nel dente di alimentazione. Mettere altri chiodi sbobinati sul corpo dell'alimentatore. Chiudere il tappo della cartuccia dopo aver verificato che la bobina dei chiodi sia sistemata correttamente nella cartuccia. (Fig. 8)

### Collegamento del tubo dell'aria (Fig. 9)


Inserire la presa d'aria del tubo dell'aria sull'elemento dell'aria della chiodatrice. Accertarsi che la presa d'aria sia fissata saldamente in posizione quando è installata sull'elemento dell'aria. Bisogna installare un accoppiatore del tubo su o vicino all'utensile in modo che il serbatoio della pressione si scarichi quando l'accoppiatore di alimentazione dell'aria viene staccato.

## FUNZIONAMENTO

### ⚠ ATTENZIONE:

- Accertarsi che tutti i sistemi di sicurezza funzionino correttamente prima dell'uso.

#### Per la modalità di chiodatura continua


Ruotare la leva sulla posizione  premendo allo stesso tempo il bottone sul lato opposto della leva. (Fig. 10 e 11)

1. Per conficcare un chiodo, mettere l'elemento di contatto contro il pezzo e schiacciare il grilletto.
  2. Schiacciare prima il grilletto e mettere poi l'elemento di contatto contro il pezzo.
- Quando metodo No. 1 è per la chiodatura intermittente, quando si desidera conficcare un chiodo con molta cura e precisione. Il metodo No. 2 è per la chiodatura continua.

### ⚠ ATTENZIONE:

- Se si fa funzionare l'utensile senza i chiodi se ne riduce la vita di servizio, per cui ciò va evitato.

#### Per la modalità sequenziale (modalità di chiodatura intermittente) (Fig. 12)

Ruotare la leva sulla posizione  premendo allo stesso tempo il bottone sul lato opposto della leva.

Per piantare un chiodo, si può appoggiare l'elemento di contatto sul pezzo e schiacciare il grilletto.

### ⚠ ATTENZIONE:

- CON IL GRILLETTO MANTENUTO SCHIACCIATO A METÀ, si potrebbe verificare una chiodatura accidentale se si fa ricontattare l'elemento di contatto con il pezzo o altra superficie a causa di un contraccolpo. Per evitare questa chiodatura involontaria, procedere come segue:
  - A. Non appoggiare l'elemento di contatto sul pezzo con forza eccessiva.
  - B. Schiacciare completamente il grilletto mantenendolo schiacciato per 1 o 2 secondi dopo la chiodatura.
- Se si fa funzionare l'utensile senza i chiodi se ne riduce la vita di servizio, per cui ciò va evitato.

#### Chiodatrice inceppata (Fig. 13)

### ⚠ ATTENZIONE:

- Staccare sempre il tubo d'aria e rimuovere i chiodi dalla cartuccia prima di correggere un inceppamento.

Se la chiodatrice si inceppa, procedere come segue:  
Aprire il tappo della cartuccia e rimuovere la bobina dei chiodi. Inserire una piccola asta o altro oggetto simile nel foro di espulsione e dare dei colpi con un martello per far uscire il chiodo inceppato dal foro di espulsione. Rimettere a posto la bobina dei chiodi e chiudere il tappo della cartuccia.

### Chiodi

Maneggiare con cura le fasce di chiodi e la loro scatola. Se i chiodi sono stati maneggiati male, potrebbero essere deformati o staccati, causando l'alimentazione scarsa dei chiodi. (Fig. 14)

Evitare di conservare i chiodi in un luogo molto umido o caldo, o esposto alla luce diretta del sole. (Fig. 15)

## MANUTENZIONE

### ⚠ ATTENZIONE:

- Staccare sempre il tubo dell'aria dall'utensile prima di eseguire l'ispezione o la manutenzione.
- Mai usare benzina, benzene, solventi, alcol e altre sostanze simili. Potrebbero causare scolorimenti, deformazioni o crepe.

#### Manutenzione della chiodatrice

Prima dell'uso, controllare sempre le condizioni generali dell'utensile e che non ci siano viti allentate. Stringerle come necessario. (Fig. 16)

Con l'utensile staccato dalla presa di corrente, eseguire l'ispezione giornaliera per assicurare il movimento libero dell'elemento di contatto e del grilletto. Non usare l'utensile se l'elemento di contatto o il grilletto rimane inceppato o incollato. (Fig. 17)

Se non si intende usare l'utensile per un lungo periodo di tempo, lubrificarlo usando olio pneumatico e conservare l'utensile in un luogo sicuro. Evitare l'esposizione alla luce diretta del sole e/o all'umidità, o agli ambienti molto caldi. (Fig. 18 e 19)

#### Manutenzione del compressore, gruppo e tubo aria

Dopo il lavoro, scaricare sempre il serbatoio del compressore e il filtro dell'aria. Se nell'utensile entra dell'umidità, si potrebbe verificare uno scadimento delle prestazioni ed anche un guasto dell'utensile. (Fig. 20 e 21)

Controllare regolarmente che ci sia olio pneumatico sufficiente nell'oliatore del gruppo aria. La lubrificazione insufficiente causa la rapida usura degli anelli di tenuta. (Fig. 22)

Tenere il tubo dell'aria lontano dal calore (oltre 60°C) e dalle sostanze chimiche (solventi, acidi o alcali forti). Disporre il tubo dove non ci sono ostacoli sui quali potrebbe pericolosamente impigliarsi durante il lavoro.

I tubi devono anche essere tenuti lontano dai bordi taglienti e dai posti che potrebbero danneggiarli o causarne l'abrasione. (Fig. 23)

Per mantenere la SICUREZZA e l'AFFIDABILITÀ del prodotto, qualsiasi altra manutenzione o regolazione deve essere fatta da un centro di assistenza Makita autorizzato usando sempre ricambi Makita.

## ACCESSORI OPZIONALI

### ATTENZIONE:

- Questi accessori o attrezzi sono consigliati per l'uso con l'utensile Makita specificato in questo manuale. L'impiego di altri accessori o attrezzi può costituire un rischio di lesioni alle persone. Usare gli accessori soltanto per il loro scopo prefissato.

Per maggiori dettagli e l'assistenza, rivolgersi al Centro Assistenza Makita locale.

- Chiodi
- Tubi aria
- Occhiali di protezione

### NOTA:

- Alcuni articoli nella lista potrebbero essere inclusi nell'imballo dell'utensile come accessori standard. Essi potrebbero differire da Paese a Paese.

ENG905-1

### Rumore

Il tipico livello di rumore pesato A determinato secondo EN792:

Livello pressione sonora ( $L_{pA}$ ): 98,3 dB (A)

Livello potenza sonora ( $L_{WA}$ ): 98,9 dB (A)

Incertezza (K): 2,5 dB (A)

#### Indossare i paraorecchi

ENG904-2

### Vibrazione

Il valore totale di vibrazione determinato secondo EN792:

Emissione di vibrazione ( $a_h$ ): 2,52  $m/s^2$

Incertezza (K): 1,26  $m/s^2$

ENG901-1

- Il valore di emissione delle vibrazioni dichiarato è stato misurato conformemente al metodo di test standard, e può essere usato per paragonare un utensile con un altro.
- Il valore di emissione delle vibrazioni dichiarato può anche essere usato per una valutazione preliminare dell'esposizione.

### AVVERTIMENTO:

- L'emissione delle vibrazioni durante l'uso reale dell'utensile elettrico può differire dal valore di emissione dichiarato a seconda dei modi in cui viene usato l'utensile.
- Identificare le misure di sicurezza per la protezione dell'operatore basate sulla stima dell'esposizione nelle condizioni reali d'utilizzo (tenendo presente tutte le parti del ciclo operativo, come le volte in cui l'utensile viene spento e quando gira a vuoto, oltre al tempo di funzionamento).

## Modello per l'Europa soltanto

### Dichiarazione CE di conformità

**Noi della Makita Corporation, come produttori responsabili, dichiariamo che le macchine Makita seguenti:**

Designazione della macchina:

Chiodatrice a bobina per costruzioni

Modello No./Tipo: AN902

sono una produzione di serie e

**conformi alle direttive europee seguenti:**

2006/42/CE

E sono fabbricate conformemente ai seguenti standard o documenti standardizzati:

EN792

La documentazione tecnica è tenuta dal nostro rappresentante autorizzato in Europa, che è:

Makita International Europe Ltd.

Michigan Drive, Tongwell,

Milton Keynes, Bucks MK15 8JD, England

29.3.2011



Tomoyasu Kato

Amministratore

Makita Corporation

3-11-8, Sumiyoshi-cho,

Anjo, Aichi, 446-8502, JAPAN

**Verklaring van algemene gegevens**

1	Olie voor pneumatisch gereedschap	8	Magazijnkap	16	HamerWisselhendel
2	Stelling	9	Rolsteunplaat	17	Dunne staaf
3	Uitsteeksel	10	Schaalverdeling	18	Aftapkraan
4	Opening	11	Toevoerklaauw	19	Luchtfilter
5	Neusbeschermpak	12	Luchtinlaat	20	Oliespuit
6	Deur	13	Mof van luchtslang	21	Pneumatische olie
7	Vergrendelingshendel	14	Trekker		
		15	Wisselhendel		

**TECHNISCHE GEGEVENS**

Model	AN902
Luchtdruk	0,49 – 0,83 MPa (4,9 – 8,3 bar)
Nagellengte	Draadgesorteerde rolnagel 45 mm – 90 mm
Capaciteit nagelmagazijn	150 – 300 st.
Min. diameter slang	6,5 mm
Olie voor pneumatisch gereedschap	Turbine-olie
Afmetingen (L x B x H)	318 mm x 128 mm x 378 mm
Netto gewicht	3,5 kg

- In verband met ononderbroken research en ontwikkeling behouden wij ons het recht voor bovenstaande technische gegevens te wijzigen zonder voorafgaande kennisgeving.
- De technische gegevens kunnen van land tot land verschillen.
- Gewicht volgens de EPTA-procedure 01/2003

ENE059-1

**Doeleinden van gebruik**

Dit gereedschap is bestemd voor voorbereidend interieurwerk zoals het vastzetten van vloerbinten, daksparran en andere balkverbindingen in woningbouw met een frame van 2" x 4" hout.

ENB090-4

**BELANGRIJKE VEILIGHEIDSVORSCHRIFTEN**

**WAARSCHUWING: BIJ HET GEBRUIK VAN DIT GEREEDSCHAP DIENEN DE BASISVEILIGHEIDSMATREGELEN, INCLUSIEF DE ONDERSTAANDE MATREGELEN, ALTIJD TE WORDEN OPGEVOLGD OM HET GEVAAR VOOR VERWONDINGEN TE BEPERKEN:**

**LEES ALLE VOORSCHRIFTEN.**

- Om uw persoonlijke veiligheid en een correcte bediening en onderhoud van het gereedschap te verzekeren, dient u deze gebruiksaanwijzing te lezen voordat u het gereedschap in gebruik neemt.
- Draag altijd een veiligheidsbril om uw ogen te beschermen tegen stof en mogelijke verwonding door nagels.  
**WAARSCHUWING:**  
Het is de verantwoordelijkheid van de werkgever erop toe te zien dat de gebruikers van het gereedschap en andere personen die zich dicht bij de werkplek bevinden altijd oogbescherming dragen.

- Draag hoofdbescherming en ook oorbescherming om uw gehoor tegen het uitlaatgeluid te beschermen. Draag lichte, nauwsluitende kleding. Mouwen dienen dichtgeknoopt of opgerold te worden. De gebruiker van het gereedschap mag geen das dragen.
- Overhaast te werk gaan of het gereedschap forceren is gevaarlijk. Hanteer het gereedschap voorzichtig. Gebruik het gereedschap niet onder invloed van alcohol, drugs en dergelijke.
- Algemene richtlijnen voor het hanteren van het gereedschap:
  1. Neem altijd aan dat er nagels in het gereedschap zijn geladen.
  2. Richt het gereedschap nooit op uzelf of op anderen, ongeacht of er nagels in het gereedschap zijn geladen of niet.
  3. Activeer het gereedschap niet tenzij het stevig tegen het werkstuk is geplaatst.
  4. Hanteer het gereedschap altijd als een werktuig.
  5. Ravot niet met het gereedschap.
  6. Houd of draag het gereedschap nooit met uw vinger op de trekker.
  7. Laad nooit nagels in het gereedschap terwijl een van de bedieningsschakelaars geactiveerd is.
  8. Gebruik het gereedschap niet op een andere krachtbron behalve de krachtbron die in de gebruiksvaarschriften is opgegeven.
- Een slecht werkend gereedschap mag niet worden gebruikt.
- Tijdens het gebruik van het gereedschap worden er soms vonken voortgebracht. Gebruik het gereedschap daarom niet in de nabijheid van vluchtige, ontvlambare materialen zoals benzine, verdunner, verf, gas, lijm, enz. Deze materialen zouden kunnen ontbranden of ontploffen en zware verwondingen veroorzaken.

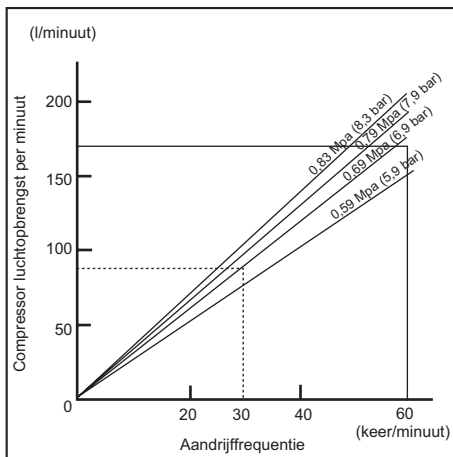
- Werk altijd in een goed verlichte ruimte om een veilig gebruik te verzekeren. Houd de werkomgeving schoon en vrij van rommel. Let vooral goed op dat u stevige steun voor de voeten hebt en uw evenwicht behoudt.
- Alleen personen die direct bij het werk betrokken zijn mogen in de werkomgeving komen. Vooral kinderen dienen altijd uit de buurt te worden gehouden.
- Alle plaatselijke wetten betreffende de geluidshinder dienen te worden nageleefd door het geluidsniveau van het gereedschap binnen de voorgeschreven limieten te houden. In bepaalde gevallen dienen luiken te worden gebruikt om de geluidshinder te beperken.
- Knoei niet met het contactelement. Dit element voorkomt het toevallig afladen van het gereedschap en dient daarom steeds op zijn plaats te zijn aangebracht. De trekker vastzetten in de AAN positie is ook zeer gevaarlijk. Probeer nooit om de trekker vast te zetten. Gebruik het gereedschap niet indien een van de bedieningsschakelaars niet werkt, niet goed is aangesloten, gewijzigd werd, of niet goed functioneert.
- Gebruik het gereedschap binnen de voorgeschreven luchtdruk van 0,49 – 0,83 MPa (4,9 – 8,3 bar) om een veilige werking en een langere levensduur te verzekeren. Overschrijd de aanbevolen maximale druk van 0,83 MPa (8,3 bar) niet. Het gereedschap mag niet worden aangesloten op een bron die een druk voortbrengt van mogelijk meer dan 1,37 MPa (13,7 bar).
- Zorg dat de druk die door het luchtdruksysteem wordt voortgebracht niet hoger is dan de maximaal toelaatbare druk van de nagelaandrijver. Stel de luchtdruk aanvaardbaar in op de minimumwaarde van de aanbevolen toelaatbare druk (zie TECHNISCHE GEGEVENS).
- Gebruik uitsluitend perslucht als de krachtbron voor het gereedschap. Indien gas in flessen (kooldioxide, zuurstof, stikstof, waterstof, lucht, e.d.) of brandbaar gas (waterstof, propaan, acetyleen, e.d.) als de krachtbron voor dit gereedschap wordt gebruikt, zal het gereedschap ontploffen en ernstige verwonding veroorzaken.
- Controleer vóór het gebruik altijd of het gereedschap in goede staat is en alle schroeven stevig zijn aangedraaid. Trek de schroeven zonnodig aan.
- Controleer vóór het gebruik of alle veiligheidsinrichtingen normaal functioneren. Het gereedschap mag niet werken indien enkel de trekker wordt ingedrukt of enkel de contactarm tegen het hout wordt gedrukt. Het gereedschap mag alleen werken wanneer beide handelingen achtereenvolgend worden uitgevoerd. Controleer op mogelijk foutieve werking zonder dat er nagels zijn geladen en met de stoter in de volledig ingetrokken positie.
- Controleer muren, plafonds, vloeren, dakbalken e.d. zorgvuldig op eventueel aanwezige elektrische bedrading, leidingbuizen of gasleidingen, om het gevaar voor elektrische schok, gaslekage, explosies e.d. te voorkomen.
- Gebruik uitsluitend de nagels die in deze gebruiksaanwijzing zijn gespecificeerd. Het gebruik van andere soorten nagels kan defect van het gereedschap veroorzaken.
- Nagelaandrijvers die voorzien zijn van de waarschuwing “Niet gebruiken op stellingen, ladders, enz.” mogen nooit worden gebruikt voor specifieke werkzaamheden zoals de volgende:
  - gebruikmaken van stellingen, een trap, ladders, of een structuur zoals daklatten, om nagels op verschillende plaatsen in te drijven;
  - houten kisten of kratten dichtnagelen;
  - transportveiligheidssystemen e.d. vastzetten op een voertuig of vrachtwagen.
- Sta niet toe dat onbevoegden het gereedschap gebruiken.
- Controleer of er zich niemand in de buurt bevindt alvorens te nagelen. Probeer nooit om nagels vanaf zowel de binnenzijde als de buitenzijde in te drijven. De nagels kunnen het werkstuk openrijten en/of eruit schieten, hetgeen bijzonder gevaarlijk is.
- Let op uw stappen en behoud uw evenwicht wanneer u het gereedschap gebruikt. Controleer of er zich niemand beneden u bevindt wanneer u op hoge plaatsen gaat werken, en klem de luchtslang stevig vast om gevaarlijke situaties, veroorzaakt door een plotselinge ruk aan de slang of het blijven haken ervan, te voorkomen.
- Wanneer u op daken of andere hoge plaatsen werkt, dient u te nagelen terwijl u voorwaarts beweegt. Als u nagelt terwijl u achterwaarts beweegt, kunt u gemakkelijk uw evenwicht verliezen. Wanneer u nagelt in een loodrecht oppervlak, dient u te nagelen vanaf de bovenkant naar de onderkant. Het werk is dan minder vermoeiend.
- Als u per ongeluk een nagel vlak op een andere nagel aandrijft of met het gereedschap op een knoest in het hout stoot, zal de nagel krommen of kan het gereedschap vastlopen. De nagel kan ook weggeslingerd worden en iemand raken, of het gereedschap kan gevaarlijk terugslaan. Wees daarom voorzichtig bij het kiezen van de plaatsen waar u nagelt.
- Laat het geladen gereedschap of de op druk gezette luchtcompressor niet voor lange tijd in de zon liggen. Laat het gereedschap niet achter op een plaats waar stof, zand, spanen en verontreinigingen erin kunnen terechtkomen.
- Richt de uitwerpopening van het gereedschap niet op personen in de nabijheid. Houd uw handen en voeten uit de buurt van de uitwerpopening.
- Wanneer de luchtslang is aangesloten, mag u het gereedschap niet met uw vinger op de trekker dragen of het in deze staat aan iemand anders overhandigen. Toevallige ontlading van het gereedschap kan uiterst gevaarlijk zijn.
- Behandel het gereedschap voorzichtig. De hoge druk in het gereedschap kan gevaar opleveren indien er scheuren in het gereedschap komen ten gevolge van ruwe behandeling (het gereedschap laten vallen of het tegen iets stoten). Kerf of graveer niets op het gereedschap.
- Stop onmiddellijk met nagelen wanneer u vaststelt dat het gereedschap niet goed of abnormaal werkt.

- Maak altijd de luchtslang los en haal alle nagels uit het gereedschap:
  1. Voordat u het gereedschap alleen achterlaat.
  2. Alvorens te beginnen met onderhoud of reparatie.
  3. Alvorens een vastgelopen gereedschap vrij te maken.
  4. Alvorens het gereedschap naar een andere plaats te brengen.
- Telkens nadat het werk is voltooid, dient u het gereedschap schoon te maken en te onderhouden. Houd het gereedschap in tiptop-conditie. Smeer de bewegende onderdelen om roesten te voorkomen en slijtage door wrijving tot een minimum te beperken. Veeg alle stof op de onderdelen van het gereedschap eraf.
- Wijzig het gereedschap niet zonder de toestemming van Makita.
- Laat de periodieke inspectie van het gereedschap uitvoeren door een erkend Makita servicecentrum.
- Om de VEILIGHEID en BETROUWBAARHEID van het gereedschap te handhaven, dienen alle onderhoud en reparaties te worden uitgevoerd door een erkend Makita servicecentrum, en altijd met gebruikmaking van Makita vervangingsonderdelen.
- Gebruik uitsluitend de olie voor pneumatisch gereedschap die in deze gebruiksaanwijzing is gespecificeerd.
- Sluit het gereedschap nooit aan op een persluchtleiding waarvan de luchtdruk de toegestane luchtdruk voor het gereedschap, zoals gespecificeerd in de tabel onder "TECHNISCHE GEGEVENS" met 10% of meer kan overschrijden.
- Gereedschappen zoals een nageldrijver die werkt met perslucht mogen uitsluitend worden gebruikt met de laagste druk die volstaat voor het werk in kwestie, ter voorkoming van onnodig lawaai, overmatige slijtage en daaruit resulterende storingen.
- Probeer nooit om de trekker of het contactelement door middel van plakband of een draad in de ingedrukte stand vast te zetten. Dit is levensgevaarlijk en kan zware verwondingen veroorzaken.
- Controleer altijd het contactelement zoals in deze gebruiksaanwijzing is voorgeschreven. Nagels kunnen per ongeluk worden aangedreven indien het veiligheidsmechanisme niet juist functioneert.

## BEWAAR DEZE VOORSCHRIFTEN.

## INSTALLEREN

### Kiezen van de compressor



De luchtcompressor moet voldoen aan de vereisten van EN60335-2-34.

Gebruik een compressor die ruimschoots voldoende druk en luchtoutput levert om een rendabele werking te verzekeren. De grafiek toont de verhouding tussen de aandrijffrequentie, de toepasselijke druk en de luchtoutput van de compressor.

Bij voorbeeld, wanneer u nagelt met een frequentie van ongeveer 30 keer per minuut bij een druk van 0,69 MPa (6,9 bar), is een compressor met een luchtoutput van meer dan 80 liter/minuut vereist.

Wanneer de aangevoerde luchtdruk de nominale druk van het gereedschap overschrijdt, dienen drukregelaars te worden gebruikt om de luchtdruk te verlagen tot de nominale druk. Als u dit niet doet, bestaat er gevaar voor ernstige verwonding van de gebruiker van het gereedschap of andere personen in de nabijheid.

### Kiezen van de luchtslang (Fig. 1)

Gebruik een zo breed mogelijke en zo kort mogelijke luchtslang om een continue en effectieve aandrijving te verzekeren. Bij een luchtdruk van 0,49 MPa (4,9 bar) is het aan te bevelen een luchtslang te gebruiken met een binnendiameter van meer dan 6,5 mm en een lengte van minder dan 20 m wanneer het interval tussen de aandrijfbeurten 0,5 seconde bedraagt. Persluchtslangen moeten een nominale minimumwerkdruk hebben van 1,03 MPa (10,3 bar) of 150 procent van de maximumdruk die door het systeem wordt geleverd, al naar gelang welke hoger is.

### ⚠ LET OP:

- Een lage luchtoutput van de compressor, een te lange luchtslang of een luchtslang met een kleinere diameter in verhouding tot de aandrijffrequentie, kunnen leiden tot een verminderd aandrijfvermogen van het gereedschap.

## Smering

Om optimale prestaties te krijgen dient een luchtset (oliespuit, reguleator, luchtfilter) zo dicht mogelijk bij het gereedschap te worden geïnstalleerd. Stel de oliespuit zodanig af dat één druppel olie voor iedere 30 nagels zal worden ingespoten. (Fig. 2)

Wanneer u geen luchtset gebruikt, dient u het gereedschap te smeren met olie voor pneumatisch gereedschap door 2 (twee) of 3 (drie) druppels olie in de luchtinlaat aan te brengen. Doe dit zowel vóór als na het gebruik. Om een goede smering te verzekeren dient u het gereedschap na het aanbrengen van de olie een paar keer af te laden. (Fig. 3)

## BESCHRIJVING VAN DE FUNCTIES

### ⚠ LET OP:

- Koppel altijd de perslucht slang los alvorens functies op het gereedschap af te stellen of te controleren.

### Nageldiepte instellen (Fig. 4)

Draai de stelring om de nageldiepte in te stellen. De nageldiepte is het grootst wanneer de stelring zo ver mogelijk in richting A, aangegeven in de afbeelding, is gedraaid. De diepte wordt geringer naarmate de stelring in richting B wordt gedraaid. Als de nagels niet diep genoeg worden geschoten, zelfs niet terwijl de stelring zo ver mogelijk in richting A is gedraaid, verhoogt u de luchtdruk. Als de nagels te diep worden geschoten, zelfs niet terwijl de stelring zo ver mogelijk in richting B is gedraaid, verlaagt u de luchtdruk. Algemeen gesproken, gaat het gereedschap langer mee als het wordt gebruikt met een lagere luchtdruk en de stelring is ingesteld op een geringere nageldiepte.

### ⚠ LET OP:

- Koppel altijd de perslucht slang los voordat u de nageldiepte instelt.

### Gebruik van de neusbeschermkap (Fig. 5)

#### ⚠ LET OP:

- Maak altijd eerst de perslucht slang los, voordat u de neusbeschermkap aanbrengt of verwijdert.

Als u het oppervlak van het werkstuk wilt beschermen, brengt u de neusbeschermkap voor het contactelement aan.

Voor het nagelen van werkstukken met een kwetsbaar oppervlak gebruikt u de neusbeschermkap. Om de neusbeschermkap op het contactelement aan te brengen, drukt u de kap er zodanig op dat de drie uitsteeksels binnenin de neusneusbeschermkap precies in de drie openingen in het contactelement passen.

## INEENZETTEN

### ⚠ LET OP:

- Koppel altijd de perslucht slang los voordat u enige werkzaamheden aan het gereedschap verricht.

## De nagelrol in het gereedschap laden

Kies nagels die geschikt zijn voor uw werk. Duw de vergrendelingshendel omlaag en open de deur. Open daarna de magazijnkap. (Fig. 6)

Til de rolsteunplaat op en draai deze zodat de pijl van de nagelgrootte aangegeven op de rolsteunplaat in de richting wijst van de overeenkomstige maat van de schaalverdeling op het magazijn. Als het gereedschap wordt bediend terwijl de rolsteunplaat in de verkeerde stand staat, kan dit leiden tot een slechte nageltoevoer of een storing van het gereedschap. (Fig. 7)

Plaats de nagelrol op de rolsteunplaat. Wikkel de nagelrol voldoende af om de toevoerklauw te bereiken. Plaats de eerste nagel in het stootkanaal en de tweede nagel in de toevoerklauw. Plaats andere afgewikkelde nagels op het toevoerhuis. Sluit de magazijnkap nadat u hebt gecontroleerd dat de nagelrol goed in het magazijn is geplaatst. (Fig. 8)

### Aansluiten van de perslucht slang (Fig. 9)

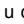
Monteer de mof van de perslucht slang op de luchtinlaat van het gereedschap. Controleer of de mof stevig vastzit op de luchtinlaat van het gereedschap. Een slangkoppeling dient op of dicht bij het gereedschap te worden geïnstalleerd zodat de druktank zal ontlast worden wanneer de luchttoevoerkoppeling wordt losgemaakt.

## BEDIENING

### ⚠ LET OP:

- Controleer vóór het gebruik of alle veiligheidsinrichtingen normaal functioneren.

### Voor continu nagelen


Draai de hendel naar de stand  terwijl u de knop aan de andere kant van de hendel ingedrukt houdt. (Fig. 10 en 11)

1. Om een nagel aan te drijven, plaats het contactelement tegen het werkstuk en druk de trekker in.
  2. Druk eerst de trekker in en plaats daarna het contactelement tegen het werkstuk.
- De 1ste methode is voor intermitterend nagelen wanneer u de nagels voorzichtig en zeer nauwkeurig wilt aandrijven. De 2de methode is voor continu nagelen.

### ⚠ LET OP:

- Voorkom dat het gereedschap wordt bediend zonder dat er nagels in zitten omdat hierdoor de levensduur van het gereedschap wordt verkort.

### Voor onderbroken nagelen (intermitterend nagelen): (Fig. 12)

Draai de hendel naar de stand  terwijl u de knop aan de andere kant van de hendel ingedrukt houdt.

Om te nagelen drukt u eerst het contactelement tegen het werkstuk en knijpt u daarna de trekker in.

### LET OP:

- MET DE TREKKER IN DE HALF-INGEKNEPEN STAND kan het nagelpistool onverwachts een nagel schieten als het contactelement door de terugslag nogmaals in aanraking komt met het werkstuk of een ander oppervlak. Om dergelijk per ongeluk nagelen te voorkomen, gaat u als volgt te werk:
  - A. Duw het contactelement niet met grote kracht tegen het werkstuk.
  - B. Knijp de trekker volledig in en houd deze na het nagelen gedurende één tot twee seconden ingeknepen.
- Bediening van het gereedschap zonder nagels er in kan de levensduur van het apparaat verminderen en moet vermeden worden.

### Vastgelopen nagelpistool (Fig. 13)

#### LET OP:

- Alvorens een vastgelopen nagel te verwijderen, kopelt u altijd eerst de perslucht slang los en haalt u de nagelrol uit het magazijn.

Wanneer het nagelpistool vastloopt, gaat u als volgt te werk:

Open de magazijnkap en verwijder de nagelrol. Steek een dunne stang of iets dergelijks in de uitwerpopening en tik er met een hamer op om de vastgelopen nagel via de uitwerpopening te verwijderen. Plaats de nagelrol terug en sluit de magazijnkap.

### Nagels

Behandel nagelstrips en hun doos voorzichtig. Door ruwe behandeling kunnen de nagelrollen vervormd raken of kunnen hun verbindingen breken zodat de nagels niet goed zullen worden aangevoerd. (Fig. 14)

Bewaard de nagels niet op zeer vochtige of warme plaatsen en ook niet in direct zonlicht. (Fig. 15)

## ONDERHOUD

### LET OP:

- Koppel altijd de perslucht slang los van het gereedschap alvorens te beginnen met inspectie of onderhoud.
- Gebruik nooit benzine, wasbenzine, thinner, alcohol en dergelijke. Hierdoor het verkleuring, vervormingen en barsten worden veroorzaakt.

### Onderhoud van het gereedschap

Controleer vóór het gebruik altijd of het gereedschap in goede staat is en alle schroeven stevig zijn aangedraaid.

Trek de schroeven zonodig aan. (Fig. 16)

Inspecteer het gereedschap dagelijks met losgekoppelde perslucht slang op vrije beweging van het contactelement en trekker. Gebruik het gereedschap niet als het contactelement of trekker vastlopen of klemmen. (Fig. 17)

Wanneer het gereedschap gedurende een lange tijd niet gebruikt gaat worden, smeert u het gereedschap met olie voor pneumatisch gereedschap en bewaart u het gereedschap op een veilige plaats. Voorkom blootstelling aan direct zonlicht en/of een vochtige of warme omgeving. (Fig. 18 en 19)

### Onderhoud van de compressor, luchtset en luchtslang

Tap na het gebruik altijd de compressortank en het luchtfilter af. Als er vocht in het gereedschap terecht komt, kunnen de prestaties verslechteren en kan het gereedschap defect raken. (Fig. 20 en 21)

Controleer regelmatig of er voldoende pneumatische olie in de oliespuit van de luchtset zit. Als het gereedschap niet goed gesmeerd blijft, zullen de O-ringen snel verslijten. (Fig. 22)

Houd de luchtslang uit de buurt van hitte (meer dan 60°C) en chemicaliën (verdunner, sterke zuren of alkalisch). Houd de slang ook uit de buurt van obstakels waaraan deze tijdens het gebruik zou kunnen blijven haken. Plaats de slangen ook niet dicht bij scherpe randen of andere plaatsen waar de slang beschadigd of afgeschuurd zou kunnen worden. (Fig. 23)

Om de VEILIGHEID en BETROUWBAARHEID van het product te handhaven, dienen alle reparaties en andere onderhoudswerkzaamheden of afstellingen te worden uitgevoerd door een erkend Makita servicecentrum, en dat uitsluitend met gebruik van Makita vervangingsonderdelen.

## OPTIONELE ACCESSOIRES

### LET OP:

- Deze accessoires of hulpstukken worden aanbevolen voor gebruik met het Makita gereedschap dat in deze gebruiksaanwijzing wordt beschreven. Het gebruik van andere accessoires of hulpstukken kan gevaar voor persoonlijke verwonding opleveren. Gebruik de accessoires of hulpstukken uitsluitend voor het gespecificeerde doel.

Wenst u meer informatie over deze accessoires, neem dan contact op met het dichtstbijzijnde Makita servicecentrum.

- Nagels
- Lucht slangen
- Veiligheidsbril

### OPMERKING:

- Sommige van de onderdelen in deze lijst kunnen bijgeleverd zijn als standaard-accessoires. Deze accessoires kunnen per land verschillend zijn.

ENG905-1

### Geluidsniveau

De typisch, A-gewogen geluidsniveau vastgesteld volgens EN792:

Geluidsdrumniveau ( $L_{pA}$ ): 98,3 dB (A)

Geluidsenergie-niveau ( $L_{WA}$ ): 98,9 dB (A)

Onnauwkeurigheids (K): 2,5 dB (A)

### Draag oorbeschermers

ENG904-2

### Trilling

De totaalwaarde van de trillingen vastgesteld volgens EN792:

Trillingsemmissie ( $a_h$ ): 2,52 m/s<sup>2</sup>

Onnauwkeurigheids (K): 1,26 m/s<sup>2</sup>



- De opgegeven trillingsemissiewaarde is gemeten volgens de standaardtestmethode en kan worden gebruikt om dit gereedschap te vergelijken met andere gereedschappen.
- De opgegeven trillingsemissiewaarde kan ook worden gebruikt voor een beoordeling vooraf van de blootstelling.

#### **⚠ WAARSCHUWING:**

- De trillingsemissie tijdens het gebruik van het elektrisch gereedschap in de praktijk kan verschillen van de opgegeven trillingsemissiewaarde afhankelijk van de manier waarop het gereedschap wordt gebruikt.
- Zorg ervoor dat veiligheidsmaatregelen worden getroffen ter bescherming van de gebruiker die zijn gebaseerd op een schatting van de blootstelling onder praktijkomstandigheden (rekening houdend met alle fasen van de bedrijfscyclus, zoals de tijdsduur gedurende welke het gereedschap is uitgeschakeld en stationair draait, naast de ingeschakelde tijdsduur).

ENH101-15

### **Alleen voor Europese landen**

#### **EU-Verklaring van Conformiteit**

**Wij, Makita Corporation, als de verantwoordelijke fabrikant, verklaren dat de volgende Makita-machine(s):**

Aanduiding van de machine: Rolnagelpistool

Modelnr./Type: AN902

in serie zijn geproduceerd en

**Voldoen aan de volgende Europese richtlijnen:**

2006/42/EC

En zijn gefabriceerd in overeenstemming met de volgende normen of genormaliseerde documenten:

EN792

De technische documentatie wordt bewaard door onze erkende vertegenwoordiger in Europa, te weten:

Makita International Europe Ltd.

Michigan Drive, Tongwell,

Milton Keynes, Bucks MK15 8JD, Engeland

29.3.2011



Tomoyasu Kato

Directeur

Makita Corporation

3-11-8, Sumiyoshi-cho,

Anjo, Aichi, 446-8502, JAPAN

**Explicación de los dibujos**

1 Aceite para herramientas neumáticas	8 Tapa del cargador	16 Martillo
2 Regulador	9 Placa de apoyo de la bobina	17 Varilla pequeña
3 Protuberancia	10 Graduación	18 Grifo de drenaje
4 Agujero	11 Pinza de alimentación	19 Filtro de aire
5 Adaptador de cabezal	12 Conector de aire	20 Aceitero
6 Puerta	13 Acoplador de aire	21 Aceite neumático
7 Palanca de enganche	14 Gatillo	
	15 Palanca de cambio	

**ESPECIFICACIONES**

Modelo	AN902
Presión de aire	0,49 – 0,83 MPa (4,9 – 8,3 bar)
Longitud del clavo	Clavos en bobina intercalados en alambre 45 mm – 90 mm
Número de clavos	150 – 300 unidades
Diámetro mínimo de la manguera	6,5 mm
Aceite para herramientas neumáticas	Aceite de turbinas
Dimensiones (La x An x Al)	318 mm x 128 mm x 378 mm
Peso neto	3,5 kg

- Debido a un programa continuo de investigación y desarrollo, las especificaciones aquí dadas están sujetas a cambios sin previo aviso.
- Las especificaciones pueden ser diferentes de país a país.
- Peso de acuerdo con el procedimiento EPTA 01/2003

ENE059-1

**Uso previsto**

La herramienta ha sido prevista para trabajo interior preliminar tal como la fijación de viguetas de suelo o vigas de techo comunes y trabajos de armaduras de encofrado en encajonados de 2" x 4".

ENB090-4

**INSTRUCCIONES DE SEGURIDAD IMPORTANTES**

**ADVERTENCIA: CUANDO UTILICE ESTA HERRAMIENTA, DEBERÁ OBSERVAR SIEMPRE LAS PRECAUCIONES DE SEGURIDAD BÁSICAS PARA REDUCIR EL RIESGO DE SUFRIR HERIDAS PERSONALES, INCLUYENDO LO SIGUIENTE:**

**LEA TODAS LAS INSTRUCCIONES.**

- Por su propia seguridad y la utilización y el mantenimiento apropiados de la herramienta, lea este manual de instrucciones antes de utilizar la herramienta.
  - Póngase siempre gafas de seguridad para proteger sus ojos del polvo o heridas producidas por los clavos.
- ADVERTENCIA:**  
Es responsabilidad del patrón hacer cumplir al operario y a otras personas cerca del área de trabajo el uso del equipo de seguridad para la protección de los ojos.

- Utilice protección auditiva para proteger sus oídos contra el ruido y protéjase también la cabeza. Póngase también ropa ligera pero no holgada. Las mangas deberán estar abotonadas o remangadas. No se deberá utilizar corbata.
- El hacer el trabajo deprisa o forzar la herramienta es peligroso. Maneje la herramienta con cuidado. No utilice la herramienta bajo la influencia de alcohol, drogas o sustancias parecidas.
- Directrices generales para el manejo de la herramienta:
  1. Asuma siempre que la herramienta contiene clavos.
  2. No se apunte asimismo ni a nadie con la herramienta tanto si contiene clavos como si no.
  3. No active la herramienta a menos que la tenga puesta firmemente contra la pieza de trabajo.
  4. Respete la herramienta como implemento de trabajo.
  5. No haga payasadas con la herramienta.
  6. No coja ni transporte la herramienta con el dedo en el gatillo.
  7. No cargue clavos en la herramienta estando cualquiera de los controles de operación activado.
  8. No utilice la herramienta con ninguna otra fuente de alimentación distinta a la especificada en las instrucciones de funcionamiento/seguridad de la herramienta.
- Una herramienta que no funcione debidamente no se deberá utilizar.
- Cuando se utiliza la herramienta algunas veces salan chispas. No utilice la herramienta cerca de materiales volátiles o inflamables tales como gasolina, disolvente, pintura, gas, adhesivos, etc.; estas sustancias se encenderán y explotarán, ocasionando graves heridas.

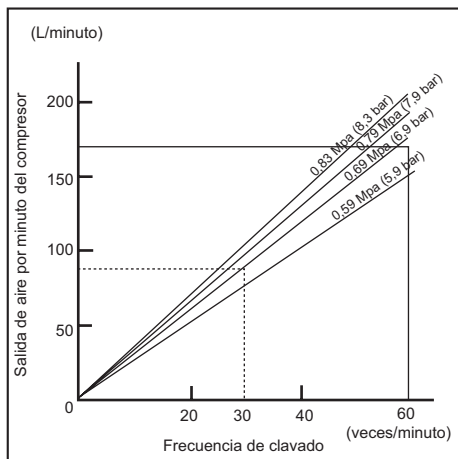
- El área deberá estar suficientemente iluminada para asegurar una operación segura. El área deberá estar despejada y libre de basura. Tenga especial cuidado de mantener los pies sobre suelo firme y el equilibrio.
- En la proximidad solamente deberán estar aquellos implicados en el trabajo. Especialmente los niños deberán mantenerse alejados en todo momento.
- Podrá haber reglamentos locales concernientes al ruido que habrá que cumplir manteniendo los niveles de ruido dentro de los límites establecidos. En ciertos casos, se deberán utilizar celosías, etc., para contener el ruido.
- No juegue con el elemento de contacto: éste previene la descarga accidental, por lo que se deberá mantener activado y puesto en su sitio. También es muy peligroso el mantener el gatillo en la posición ON (activado). No intente nunca atar el gatillo. No utilice la herramienta si cualquier porción de los controles de operación de la herramienta está inoperable, desconectada, alterada, o no funciona correctamente.
- Utilice la herramienta dentro de la presión de aire especificada de 0,49 – 0,83 MPa (4,9 – 8,3 bar) por seguridad y para alargar la vida de la herramienta. No exceda la presión de funcionamiento máxima recomendada de 0,83 MPa (8,3 bar). La herramienta no deberá ser conectada a una fuente cuya presión pueda potencialmente exceder 1,37 MPa (13,7 bar).
- Asegúrese de que la presión suministrada por el sistema de aire comprimido no exceda la presión máxima permitida de la clavadora de clavos. Ajuste la presión de aire inicialmente a un valor inferior a la presión permitida recomendada (consulte las ESPECIFICACIONES).
- No utilice nunca la herramienta con nada que no sea aire comprimido. Si se utiliza gas (dióxido de carbono, oxígeno, nitrógeno, hidrógeno, aire, etc.) o gas combustible (hidrógeno, propano, acetileno, etc.) embotellado como fuente de accionamiento para esta herramienta, la herramienta explotará y ocasionará graves heridas.
- Compruebe siempre la herramienta antes de la operación para ver su condición general y si hay tornillos sueltos. Apriete según se requiera.
- Antes de la operación asegúrese de que todos los sistemas de seguridad estén en condiciones de funcionamiento. La herramienta no deberá funcionar si solamente se aprieta el gatillo o si solamente se presiona el brazo de contacto contra la madera. Solamente deberá funcionar cuando se realicen ambas acciones. Haga una prueba sin clavos cargados y el empujador en la posición totalmente presionada para ver si hay algún posible fallo de funcionamiento.
- Compruebe las paredes, techos, suelos, techumbres y por el estilo con cuidado para evitar descargas eléctricas, fugas de gas, explosiones, etc., ocasionadas por el contacto con cables con tensión, conductos o tuberías de gas.
- Utilice solamente los clavos especificados en este manual. La utilización de otros clavos podrá ocasionar un mal funcionamiento de la herramienta.
- No utilice nunca clavadoras de clavos marcadas con el símbolo de “No utilizar en andamios, escalera de mano” para aplicaciones específicas, por ejemplo:
  - cuando cambiar de un lugar de clavado a otro implique la utilización de andamios, escaleras, escaleras de mano, o construcciones en forma de escalera, por ejemplo, listones de techumbres;
  - cajas de cierre o cajones;
  - colocación de sistemas de seguridad de transportes, por ejemplo, en vehículos y vagones.
- No permita utilizar la herramienta a personas no instruidas.
- Asegúrese de que no haya nadie cerca antes de ponerse a clavar. No intente clavar nunca desde el interior y exterior al mismo tiempo. Los clavos podrían atravesar y/o salir disparados, presentando un grave peligro.
- Observe el suelo donde pisa y mantenga su equilibrio con la herramienta. Asegúrese de que no haya nadie debajo cuando trabaje en lugares elevados, y sujete la manguera de aire para evitar peligros si se produjera un tirón o enganche repentino.
- En tejados y otros lugares elevados, clave avanzando. Si clava moviéndose poco a poco hacia atrás será fácil que pierda el equilibrio. Cuando clave contra superficies perpendiculares, clave de arriba hacia abajo. Haciéndolo de esta forma podrá realizar la operación de clavado fatigándose menos.
- Si clava equivocadamente encima de otro clavo o golpea un nudo en la madera, el clavo se torcerá o se atascará la herramienta. El clavo podrá salir lanzado y golpear a alguien, o la propia herramienta podrá reaccionar peligrosamente. Ponga los clavos con cuidado.
- No deje la herramienta cargada ni el compresor de aire bajo presión durante largo tiempo al sol. Asegúrese de que no entre polvo, arena, virutas ni materias extrañas en la herramienta en el lugar donde la deje.
- No apunte con el puerto de expulsión a nadie de alrededor. Mantenga las manos y pies alejados del área del puerto de expulsión.
- Cuando esté conectada la manguera de aire, no transporte la herramienta con el dedo en el gatillo ni se la pase a otra persona en esta condición. Un disparo accidental puede resultar muy peligroso.
- Maneje la herramienta con cuidado, ya que dentro de la herramienta hay una presión muy alta que puede ser peligrosa si se produce una grieta debido a un manejo brusco (dejando caer o golpeando la herramienta). No intente grabar ni esculpir en la herramienta.
- Pare inmediatamente la operación de clavado si nota algo incorrecto o fuera de lo normal en la herramienta.
- Desconecte siempre la manguera de aire y extraiga todos los clavos:
  1. Cuando deje la herramienta sin atender.
  2. Antes de realizar cualquier mantenimiento o reparación.
  3. Antes de despejar un atasco.
  4. Antes de mover la herramienta a un nuevo lugar.
- Realice la limpieza y el mantenimiento inmediatamente después de terminar el trabajo. Mantenga la herramienta en perfectas condiciones. Lubrique las partes móviles para evitar la oxidación y minimizar el desgaste relacionado con la fricción. Quite todo el polvo de dichas partes.

- No modifique la herramienta sin la autorización de Makita.
- Pregunte en centros de servicio autorizados por Makita sobre la inspección periódica de la herramienta.
- Para mantener la **SEGURIDAD** y **FIABILIDAD** del producto, el mantenimiento y las reparaciones deberán ser realizados en un Centro de servicio autorizado por Makita, empleando siempre repuestos Makita.
- Utilice solamente el aceite de herramientas neumáticas especificado en este manual.
- Nunca conecte la herramienta a una manguera de aire comprimido cuya presión de aire pueda exceder en un 10% el intervalo de presión de aire apropiado para la herramienta, tal y como éste aparece indicado en la tabla "ESPECIFICACIONES".
- Las herramientas para clavar que funcionan con aire comprimido deberán ser utilizadas solamente a la presión más baja requerida para el trabajo que se va a realizar, con objeto de evitar niveles de ruido innecesariamente altos, aumentar el desgaste de la herramienta y los fallos consiguientes.
- No intente mantener el gatillo o el elemento de contacto presionado con cinta o alambre. Podrá ocasionarle la muerte o heridas graves.
- Compruebe siempre el elemento de contacto como se indica en este manual. Los clavos podrán dispararse accidentalmente si el mecanismo de seguridad no funciona correctamente.

## GUARDE ESTAS INSTRUCCIONES.

## INSTALACIÓN

### Selección del compresor



El compresor de aire deberá cumplir con los requisitos de EN60335-2-34.

Seleccione un compresor que tenga una presión y salida de aire amplias para asegurar una operación eficiente en base a costos. El gráfico muestra la relación entre la frecuencia de clavado, la presión aplicable y la salida de aire del compresor.

Así, por ejemplo, si el clavado se realiza a una frecuencia de aproximadamente 30 veces por minuto a una compresión de 0,69 MPa (6,9 bar), se requerirá un compresor con una salida de aire superior a 80 L/minuto.

Cuando la presión del suministro de aire exceda la presión nominal de la herramienta se deberán utilizar reguladores de presión para limitar la presión de aire a la presión nominal de la herramienta. De no hacerlo, podrá resultar en heridas graves al operario de la herramienta o a personas cercanas.

### Selección de la manguera de aire (Fig. 1)

Utilice una manguera de aire tan grande y corta como sea posible para asegurar una operación de clavado continua y eficiente. Con una presión de aire de 0,49 MPa (4,9 bar), se recomienda una manguera de aire con un diámetro interior superior a 6,5 mm y una longitud inferior a 20 m cuando el intervalo entre cada clavado sea de 0,5 segundos. Las mangueras de suministro de aire deberán tener una especificación de presión de funcionamiento mínima de 1,03 MPa (10,3 bar) o un 150 por ciento de la presión máxima producida en el sistema, lo que sea más alto.

### ⚠ PRECAUCIÓN:

- Una salida de aire baja del compresor, o una manguera de aire larga o de diámetro más pequeño en relación con la frecuencia de clavado podrá ocasionar una disminución de la capacidad de clavado de la herramienta.

### Lubricación

Para asegurar el máximo rendimiento, instale un conjunto de aire (aceitero, regulador, filtro de aire) lo más cerca posible de la herramienta. Ajuste el aceitero de forma que provea una gota de aceite cada 30 clavos. (Fig. 2)

Cuando no se utilice un conjunto de aire, engrase la herramienta con aceite de herramientas neumáticas poniendo 2 (dos) o 3 (tres) gotas en el conector de aire. Esto deberá hacerse antes y después del uso. Para una lubricación apropiada, la herramienta deberá ser disparada unas cuantas veces después de haber introducido el aceite para herramientas neumáticas. (Fig. 3)

## DESCRIPCIÓN DEL FUNCIONAMIENTO

### ⚠ PRECAUCIÓN:

- Desconecte siempre la manguera antes de ajustar o comprobar una función de la herramienta.

### Ajuste de la profundidad de clavado (Fig. 4)

Para ajustar la profundidad de clavado, gire el regulador. La profundidad de clavado más profunda se obtiene cuando el regulador está girado a tope en la dirección A mostrada en la figura. Se obtendrá menos profundidad a medida que el regulador sea girado en la dirección B. Si los clavos no se pueden clavar suficientemente incluso cuando el regulador esté girado a tope en la dirección A, aumente la presión de aire. Si los clavos se clavan demasiado profundos incluso cuando el regulador está girado a tope en la dirección B, reduzca la presión de aire. En términos generales, la vida de servicio de la herramienta será más larga cuando la herramienta sea utilizada con menor presión de aire y el regulador ajustado a menor profundidad de clavado.

### ⚠ PRECAUCIÓN:

- Desconecte siempre la manguera antes de ajustar la profundidad de clavado.

## Utilización del adaptador de cabezal (Fig. 5)

### ⚠️ PRECAUCIÓN:

- Desconecte siempre la manguera antes de instalar o quitar el adaptador de cabezal.

Si quiere proteger la superficie de la pieza de trabajo, coloque el adaptador de cabezal del elemento de contacto.

Cuando clave piezas de trabajo de superficies fácilmente deteriorables, utilice el adaptador de cabezal. Para colocar el adaptador de cabezal en el elemento de contacto, presiónelo contra el elemento de contacto hasta que las protuberancias en tres lugares dentro del adaptador de cabezal encajen en los tres agujeros del elemento de contacto.

## MONTAJE

### ⚠️ PRECAUCIÓN:

- Desconecte siempre la manguera de aire antes de realizar cualquier trabajo en la herramienta.

### Carga de la clavadora de clavos

Seleccione los clavos apropiados para su trabajo. Presione la palanca de enganche y abra la puerta. Y abra la tapa del cargador. (Fig. 6)

Levante y gire la placa de apoyo de la bobina de forma que la flecha con el tamaño de clavo indicado en la placa de apoyo de la bobina apunte al incremento de graduación correspondiente marcado en el cargador. Si utiliza la herramienta con la placa de apoyo de la bobina ajustada en una posición incorrecta, se producirá una mala alimentación de clavos o un mal funcionamiento de la herramienta. (Fig. 7)

Ponga la bobina de clavos encima de la placa de apoyo de la bobina. Desenrolle suficientes clavos para llegar a la pinza de alimentación. Ponga el primer clavo en el canal de arrastre y el segundo en la pinza de alimentación. Ponga otros clavos desenrollados en el cuerpo del alimentador. Cierre la tapa del cargador después de mirar y comprobar que la bobina de clavos está correctamente colocada en el cargador. (Fig. 8)

### Conexión de la manguera de aire (Fig. 9)

Encaje el acoplador de aire de la manguera de aire en el conector de aire de la clavadora de clavos. Asegúrese de que el acoplador de aire quede bloqueado firmemente en posición cuando lo instale en el conector de aire. Se deberá instalar un acoplamiento de manguera en o cerca de la herramienta de tal forma que el depósito de presión se descargue al desconectar el acoplamiento de suministro de aire.

## OPERACIÓN

### ⚠️ PRECAUCIÓN:

- Antes de la operación asegúrese de que todos los sistemas de seguridad estén en condiciones de funcionamiento.

### Para el modo de clavado continuo

Gire la palanca hasta la posición **III** mientras presiona el botón en el otro lado de la palanca. (Fig. 10 y 11)

1. Para clavar un clavo, puede poner el elemento de contacto contra la pieza de trabajo y apretar el gatillo.
2. Apretar el gatillo primero y después poner el elemento de contacto contra la pieza de trabajo.

- El método número 1 es para clavado intermitente, cuando desee clavar un clavo con cuidado y exactamente. El método número 2 es para clavado continuo.

### ⚠️ PRECAUCIÓN:

- La utilización de la herramienta sin clavos acortará su vida de servicio y debe evitarse.

### Para el modo secuencial (modo de clavado intermitente) (Fig. 12)

Gire la palanca hasta la posición **I** mientras presiona el botón en el otro lado de la palanca.

Para clavar un clavo, puede poner el elemento de contacto contra la pieza de trabajo y apretar el gatillo.

### ⚠️ PRECAUCIÓN:

- CON EL GATILLO APRETADO HASTA LA MITAD, puede producirse un clavado inesperado, si deja que el elemento de contacto vuelva a tocar la pieza de trabajo u otra superficie bajo la influencia del retroimpacto. Para evitar este clavado inesperado, haga lo siguiente:
  - A. No ponga el elemento de contacto contra la pieza de trabajo con excesiva fuerza.
  - B. Apriete el gatillo completamente y manténgalo apretado durante 1 – 2 segundos después de clavar.
- La utilización de la herramienta sin clavos acortará su vida de servicio y deberá evitarse.

### Clavadora de clavos atascada (Fig. 13)

### ⚠️ PRECAUCIÓN:

- Desconecte siempre la manguera de aire y extraiga los clavos del cargador antes de despejar un atasco.

Cuando la clavadora de clavos se atasque, haga lo siguiente:

Abra la tapa del cargador y extraiga la bobina de clavos. Inserte una varilla pequeña o similar en el puerto de expulsión y golpéela ligeramente con un martillo para sacar del puerto de expulsión el clavo atascado. Vuelva a poner la bobina de clavos y cierre la tapa del cargador.

### Clavos

Maneje las tiras de clavos y sus cajas con cuidado. Si la bobina de clavos ha sido manejada bruscamente, los clavos podrán estar deformados o sus conectores rotos y ocasionar una deficiente alimentación de clavos. (Fig. 14)

Evite almacenar clavos en un lugar muy húmedo o caluroso o lugar expuesto a la luz solar directa. (Fig. 15)

## MANTENIMIENTO

### ⚠️ PRECAUCIÓN:

- Desconecte siempre la manguera de aire de la herramienta antes de intentar realizar una inspección o mantenimiento.
- No utilice nunca gasolina, bencina, disolvente, alcohol o similares. Podría producir descoloración, deformación o grietas.

## Mantenimiento del clavadora de clavos

Compruebe siempre la herramienta antes de la operación para ver su condición general y si hay tornillos sueltos. Apriete según se requiera. (Fig. 16)

Con la herramienta desconectada, haga una inspección diaria para asegurarse del libre movimiento del elemento de contacto y el gatillo. No utilice la herramienta si el elemento de contacto o el gatillo se traba o agarrota. (Fig. 17) Cuando no vaya a utilizar la herramienta durante un periodo de tiempo prolongado, lubrique la herramienta utilizando aceite de herramientas neumáticas y almacénela en un lugar seguro. Evite la exposición a la luz solar directa y/o los ambientes húmedos o calurosos. (Fig. 18 y 19)

## Mantenimiento del compresor, conjunto de aire y manguera de aire

Después de una operación, drene siempre el tanque compresor y el filtro de aire. Si permite que entre humedad en la herramienta, podrá resultar en un rendimiento deficiente y posible fallo de la herramienta. (Fig. 20 y 21) Compruebe regularmente para ver si hay suficiente aceite neumático en el aceitero del conjunto de aire. Si no se mantiene una suficiente lubricación las juntas tóricas se desgastarán rápidamente. (Fig. 22)

Mantenga la manguera de aire alejada del calor (más de 60°C), alejada de sustancias químicas (disolvente, ácidos fuertes o alcalinos). Además, tienda la manguera alejada de obstáculos en los que pueda engancharse peligrosamente durante la operación.

Las mangueras también deberán tenderse alejadas de cantos cortantes y áreas que puedan ocasionar daños o abrasión a la manguera. (Fig. 23)

Para mantener la SEGURIDAD y FIABILIDAD del producto, las reparaciones, cualquier otro mantenimiento o ajuste deberán ser realizados en Centros de servicio autorizados por Makita, empleando siempre repuestos Makita.

## ACCESORIOS OPCIONALES

### ⚠ PRECAUCIÓN:

• Estos accesorios o acoplamientos están recomendados para utilizar con la herramienta Makita especificada en este manual. El empleo de otros accesorios o acoplamientos conllevará un riesgo de sufrir heridas personales. Utilice los accesorios o acoplamientos solamente para su fin establecido.

Si necesita cualquier ayuda para más detalles en relación con estos accesorios, pregunte al centro de servicio Makita local.

- Clavos
- Mangueras de aire
- Gafas de seguridad

### NOTA:

• Algunos elementos de la lista podrán estar incluidos en el paquete de la herramienta como accesorios estándar. Pueden variar de un país a otro.

ENG905-1

## Ruido

El nivel de ruido A-ponderado típico determinado de acuerdo con la norma EN792:

Nivel de presión sonora ( $L_{pA}$ ): 98,3 dB (A)

Nivel de potencia sonora ( $L_{WA}$ ): 98,9 dB (A)

Error (K): 2,5 dB (A)

**Póngase protectores en los oídos**

## Vibración

El valor total de la vibración determinado de acuerdo con la norma EN792:

Emisión de vibración ( $a_{h1}$ ): 2,52 m/s<sup>2</sup>

Error (K): 1,26 m/s<sup>2</sup>

ENG901-1

- El valor de emisión de vibración declarado ha sido medido de acuerdo con el método de prueba estándar y se puede utilizar para comparar una herramienta con otra.
- El valor de emisión de vibración declarado también se puede utilizar en una valoración preliminar de exposición.

### ⚠ ADVERTENCIA:

- La emisión de vibración durante la utilización real de la herramienta eléctrica puede variar del valor de emisión declarado dependiendo de las formas en las que la herramienta sea utilizada.
- Asegúrese de identificar medidas de seguridad para proteger al operario que estén basadas en una estimación de la exposición en las condiciones reales de utilización (teniendo en cuenta todas las partes del ciclo operativo tal como las veces cuando la herramienta está apagada y cuando está funcionando en vacío además del tiempo de gatillo).

ENH101-15

## Para países europeos solamente

### Declaración de conformidad CE

**Makita Corporation como fabricante responsable declara que la(s) siguiente(s) máquina(s) de Makita:**

Designación de máquina:

Clavadora Neumática de Carrete

Modelo N°/Tipo: AN902

son producidas en serie y

**Cumplen con las directivas europeas siguientes:**

2006/42/EC

Y que están fabricadas de acuerdo con las normas o documentos normalizados siguientes:

EN792

Los documentos técnicos los guarda nuestro representante autorizado en Europa cuya persona es:

Makita International Europe Ltd.

Michigan Drive, Tongwell,

Milton Keynes, Bucks MK15 8JD, Inglaterra

29.3.2011



Tomoyasu Kato  
Director

Makita Corporation  
3-11-8, Sumiyoshi-cho,  
Anjo, Aichi, 446-8502, JAPAN

**Explicação geral**

1 Óleo pneumático para ferramentas	8 Tampa do carregador	16 Martelo
2 Ajustador	9 Placa de suporte do rolo	17 Vareta pequena
3 Saliência	10 Graduação	18 Torneira do dreno
4 Furo	11 Garra de avengeo	19 Filtro de ar
5 Bico adaptador	12 Conector de ar	20 Recipiente de óleo
6 Porta	13 Soquete de ar	21 Óleo pneumático
7 Alavanca do trinco	14 Gatilho	
	15 Alavanca de alteração	

**ESPECIFICAÇÕES**

Modelo	AN902
Pressão do ar	0,49 – 0,83 MPa (4,9 – 8,3 bar)
Comprimento do prego	Pregos electrosoldados em arame 45 mm – 90 mm
Capacidade do prego	150 – 300 pregos
Diâmetro mín. da mangueira	6,5 mm
Óleo pneumático para ferramentas	Óleo de turbina
Dimensões (C x P x A)	318 mm x 128 mm x 378 mm
Peso líquido	3,5 kg

- Devido ao nosso programa contínuo de pesquisa e desenvolvimento, as características indicadas neste documento estão sujeitas a alterações sem aviso prévio.
- As especificações podem diferir de país para país.
- Peso de acordo com o Procedimento 01/2003 da EPTA (European Power Tool Association)

ENE059-1

**Indicação de uso**

Esta ferramenta é indicada para trabalhos interiores preliminares tais como a fixação de vigas ou caibros comuns e trabalhos de moldura em caixas de 2" x 4".

ENB090-4

**INSTRUÇÕES IMPORTANTES DE SEGURANÇA**

**AVISO: AO UTILIZAR ESTA FERRAMENTA, OBSERVE SEMPRE AS PRECAUÇÕES BÁSICAS DE SEGURANÇA PARA REDUZIR O RISCO DE ACIDENTES PESSOAIS, INCLUSIVE O SEGUINTE:**

**LEIA TODAS AS INSTRUÇÕES.**

- Para sua própria segurança pessoal e funcionamento adequado da ferramenta, leia estas instruções antes de utilizar a ferramenta.

- Use sempre óculos de segurança para proteger seus olhos contra poeira ou ferimentos com pregos.

**AVISO:**

- É de responsabilidade do empregador fazer com que os operadores da ferramenta bem como outras pessoas na área de trabalho utilizem óculos de segurança.
- Use capacetes e protectores de ouvido para proteger contra o ruído do escape. Use roupas leves, mas não largas. As mangas do vestuário devem estar abotoadas ou arregaçadas. Não usar gravata.
- É perigoso forçar a ferramenta ou tentar apressar o trabalho. Manuseie a ferramenta com muito cuidado. Não utilizar a ferramenta se você estiver sob a influência de álcool ou drogas.

- Normas gerais para o manuseio da ferramenta:
  1. Assuma sempre que a ferramenta está carregada com pregos.
  2. Não aponte a ferramenta para si mesmo nem para outras pessoas, quer esteja carregada de pregos ou não.
  3. Não accione a ferramenta a menos que a mesma esteja firmemente colocada contra a peça de trabalho.
  4. Respeite a ferramenta como um implemento de trabalho.
  5. Não brinque com a ferramenta.
  6. Não segure nem carregue a ferramenta com o dedo no gatilho.
  7. Não carregue os pregos na ferramenta se qualquer um dos controlos de funcionamento estiver activado.
  8. Não funcione a ferramenta com fonte de alimentação diferente daquela especificada nas instruções de segurança/operação.
- Nunca utilize uma ferramenta que não esteja a funcionar devidamente.
- Ao utilizar a ferramenta às vezes saem faíscas. Não utilize a ferramenta perto de materiais voláteis ou inflamáveis, tais como gasolina, diluente, tinta, gás, adesivos, etc, pois esses podem incendiar e explodir, causando ferimentos graves.
- A área de trabalho deve ser bem iluminada para garantir uma operação com segurança. A área de trabalho deve ser limpa e livre de entulhos. Tenha cuidado e mantenha uma posição segura e equilibrada.
- Apenas as pessoas envolvidas no trabalho devem estar nas proximidades. As crianças em especial devem ficar sempre afastadas da área.
- Pode haver regulamentos locais com respeito ao ruído, os quais devem ser cumpridos mantendo-se o nível de ruído dentro dos limites indicados. Em alguns casos, deve-se usar um silenciador.

- Não brinque com o elemento de contacto: este previne o accionamento accidental e, portanto, não deve ser removido. Também é muito perigoso deixar o gatilho na posição de ligado (ON). Nunca tente prender o gatilho. Não funcione com a ferramenta se qualquer um dos controlos estiver inoperante, desactivado, alterado ou não funcionar devidamente.
- Funcione com a ferramenta dentro da pressão de ar especificada de 0,49 – 0,83 MPa (4,9 – 8,3 bar) para segurança e para prolongar a vida útil da ferramenta. Não exceda a pressão de operação máxima recomendada de 0,83 MPa (8,3 bar). Não ligue a ferramenta a uma fonte cuja pressão potencialmente exceda 1,37 MPa (13,7 bar).
- Assegure-se de que a pressão fornecida pelo sistema de ar comprimido não exceda a pressão máxima permitida para a ferramenta de pregar. Inicialmente ajuste a pressão do ar no valor mínimo recomendado para a pressão permitida (consulte as ESPECIFICAÇÕES).
- Nunca use a ferramenta a não ser com ar comprimido. Se utilizar gás engarrafado (dióxido de carbono, oxigénio, nitrogénio, hidrogénio, ar, etc.) ou gás combustível (hidrogénio, propano, acetileno, etc.) como fonte de alimentação, a ferramenta explodirá causando ferimentos graves.
- Antes de funcionar, verifique sempre a condição geral da ferramenta e inspecione para ver se há parafusos soltos. Aperte-os como necessário.
- Certifique-se de que todos os sistemas de segurança estão a funcionar adequadamente antes da operação. A ferramenta não deve funcionar simplesmente ao apertar o gatilho ou ao pressionar o elemento de contacto contra a madeira. Ela deve funcionar apenas ao executar ambas as acções. Faça um teste sem pregos e com o puxador na posição de apertado para verificar se há problemas na operação.
- Inspeccione cuidadosamente as paredes, tecto, pisos e telhados para evitar o risco de choque eléctrico, fuga de gás, explosões, etc. que podem ser causados se encontrar fios ligados, condutos ou canos de gás.
- Utilize apenas pregos especificados neste manual. A utilização de pregos diferentes pode causar o mau funcionamento da ferramenta.
- Nunca utilize pregadores marcados com a inscrição "Não utilizar em andaimes ou escadas" para aplicações específicas, por exemplo:
  - quando ao mudar de uma posição de trabalho para outra for preciso utilizar andaimes, degraus, escadas usadas em construção, como ripa de telhado;
  - ao fechar caixas ou engradados;
  - ao fixar sistemas de segurança de transporte, como em veículos ou vagões.
- Não permita que pessoas não familiarizadas utilizem a ferramenta.
- Assegure-se de que não há ninguém nas proximidades antes de pregar. Nunca tente pregar do lado de dentro e do lado de fora ao mesmo tempo. Pregos podem escapar e/ou pular, apresentando um perigo muito grave.
- Tenha cuidado e mantenha-se numa posição firme e equilibrada ao utilizar a ferramenta. Certifique-se de que ninguém está por baixo quando trabalhando em locais altos e fixe a mangueira de ar para prevenir acidentes caso a mesma se enrosque em algo ou haja um movimento brusco e súbito.
- Ao trabalhar em telhados ou outros locais altos, pregue movendo-se para a frente. É fácil perder o equilíbrio se pregar movendo-se para trás. Quando está a pregar contra superfícies perpendiculares, pregue de cima para baixo. Assim, poderá executar a operação de pregar com menos cansaço.
- O prego poderá entortar-se ou a ferramenta poderá ficar emperrada se pregar sobre outro prego por engano ou se bater num nó da madeira. O prego pode pular e atingir alguém ou a ferramenta pode funcionar perigosamente. Coloque os pregos com cuidado.
- Não deixe a ferramenta carregada ou o compressor de ar com pressão sob o sol por muito tempo. Cuide para que com poeira, areia, pedaços de madeira ou outros objectos estranhos não entrem na ferramenta onde a deixar.
- Não aponte o porto de ejeção a ninguém nas proximidades. Mantenha as mãos e pés afastados da área do porto de ejeção.
- Se a mangueira de ar estiver conectada, não carregue a ferramenta com o dedo no gatilho nem a entregue a alguém nessa condição. O disparo accidental pode ser extremamente perigoso.
- Manuseie a ferramenta com cuidado dado que há pressão muito alta dentro da mesma e pode ser perigoso se houver uma fissura causada por manuseio impróprio (derrubar ou bater a mesma). Não tente entalhar ou insculpir na ferramenta.
- Pare de pregar imediatamente se notar qualquer problema ou algo anormal com a ferramenta.
- Desligue sempre a mangueira de ar e retire todos os pregos:
  1. Quando desatendida.
  2. Antes de efectuar a manutenção ou reparos.
  3. Antes de eliminar qualquer obstrução.
  4. Antes de levar a ferramenta para um novo local.
- Efectue a limpeza e a manutenção logo após terminar o trabalho. Mantenha a ferramenta em ótimas condições. Lubrifique as peças giratórias para evitar que fiquem enferrujadas e para minimizar o desgaste devido à fricção. Limpe a poeira das peças.
- Não modifique a ferramenta sem autorização prévia da Makita.
- Solicite a inspecção periódica da ferramenta nos centros de assistência autorizada Makita.
- Para manter a SEGURANÇA e a CONFIABILIDADE do produto, a manutenção e os reparos deverão ser realizados por centros de assistência autorizada Makita, sempre utilizando peças de reposição originais Makita.
- Utilize apenas óleo pneumático para ferramenta especificado neste manual.
- Não ligue a ferramenta a uma fonte de ar comprimido cuja pressão possa exceder em 10% a faixa de pressão de ar apropriada da ferramenta, estipulada no quadro "ESPECIFICAÇÕES".
- Ferramentas de pregar que funcionam com ar comprimido devem ser operadas com a pressão mínima requerida para o trabalho a ser realizado a fim de evitar níveis de ruído muito altos desnecessários, aumento de desgaste e consequentes avarias.
- Não tente manter o gatilho ou o elemento de contacto apertado utilizando fita ou fios. Isso pode causar ferimentos graves ou morte.

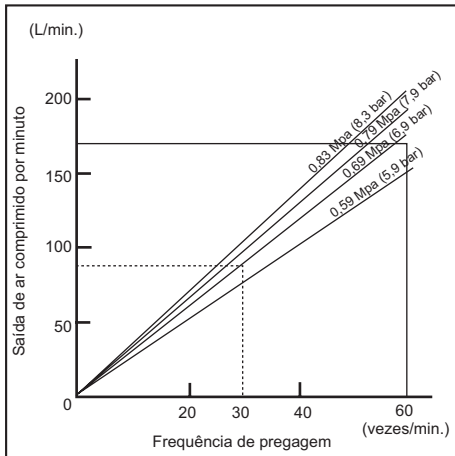


- Inspeccione sempre o elemento de contacto como descrito neste manual. Os pregos podem sair acidentalmente se o mecanismo de segurança não estiver a funcionar correctamente.

## GUARDE ESTAS INSTRUÇÕES.

## INSTALAÇÃO

### Seleção do compressor



O compressor de ar deve estar de acordo com os requisitos da norma EN60335-2-34.

Selecione um compressor que tenha ampla pressão e saída de ar para garantir uma operação com eficiência de custo. O gráfico ilustra a relação entre a frequência de pregar, pressão aplicável e saída do ar comprimido.

Por exemplo, se pregar a uma taxa de aproximadamente 30 vezes por minuto, a uma compressão de 0,69 MPa (6,9 bar), é necessário um compressor com saída de ar de 80 L/minuto.

Se a pressão do ar fornecido exceder a pressão indicada na ferramenta, será necessário utilizar reguladores de pressão para limitar a pressão do ar de acordo com a pressão indicada para a ferramenta. Caso contrário, poderá resultar em ferimentos graves ao operador da ferramenta ou a outras pessoas nas proximidades.

### Seleção da mangueira de ar (Fig. 1)

Utilize uma mangueira de ar tão larga e tão curta quanto possível para garantir uma operação contínua e eficiente. Com pressão de ar de 0,49 MPa (4,9 bar), é recomendável uma mangueira de ar com diâmetro interno maior de 6,5 mm e comprimento inferior a 20 m se o intervalo entre cada prego for de 0,5 segundos. As mangueiras de fornecimento de ar devem ter uma classificação de pressão mínima de 1,03 MPa (10,3 bar) ou 150 por cento da pressão máxima produzida no sistema, o que for maior.

#### ⚠️ PRECAUÇÃO:

- Pouca saída de ar do compressor ou uma mangueira de ar longa e com diâmetro pequeno em relação à frequência de pregagem pode diminuir a capacidade de operação da ferramenta.

## Lubrificação

Para garantir o máximo desempenho, instale um conjunto de ar (recipiente de óleo, regulador e filtro de ar) o mais próximo possível da ferramenta. Ajuste o recipiente de óleo de forma que forneça uma gota de óleo para cada 30 pregos. (Fig. 2)

Se não utilizar um conjunto de ar, lubrifique a ferramenta com óleo pneumático colocando 2 (duas) ou 3 (três) gotas no conector de ar. Isto deve ser feito antes e depois da utilização. Para lubrificação adequada, a ferramenta deve ser accionada algumas vezes após colocar o óleo pneumático. (Fig. 3)

## DESCRIÇÃO FUNCIONAL

#### ⚠️ PRECAUÇÃO:

- Desconecte sempre a mangueira de ar antes de ajustar ou inspeccionar as funções da ferramenta.

#### Ajustar a penetração do prego (Fig. 4)

Para ajustar a penetração do prego, rode o ajustador. A penetração do prego é mais profunda quando roda o ajustador completamente para a direcção A mostrada na ilustração. A penetração será menor se rodar o ajustador para a direcção B. Se os pregos não penetrarem o suficiente mesmo quando rodar o ajustador completamente para a direcção A, aumente a pressão do ar. Se os pregos penetrarem demais mesmo quando rodar o ajustador completamente para a direcção B, diminua a pressão do ar. Em geral, o tempo de vida útil será mais longo se utilizar a ferramenta com baixa pressão de ar e com o ajustador regulado para pouca penetração.

#### ⚠️ PRECAUÇÃO:

- Desconecte sempre a mangueira antes de ajustar a penetração do prego.

#### Utilização do bico adaptador (Fig. 5)

#### ⚠️ PRECAUÇÃO:

- Desligue sempre a mangueira antes de instalar ou remover o bico adaptador.

Para proteger a superfície da peça de trabalho, instale o bico adaptador do elemento de contacto.

Para pregar em superfícies de peças de trabalho que podem ser facilmente danificadas, utilize o bico adaptador. Para instalar o bico adaptador no elemento de contacto, pressione-o no elemento de contacto até que as três saliências dentro do bico adaptador se encaixem nos três furos do elemento de contacto.

## MONTAGEM

### ⚠️ PRECAUÇÃO:

- Desconecte sempre a mangueira de ar antes de efectuar qualquer serviço de manutenção na ferramenta.

### Carregar o pregador

Selecione pregos apropriados para o trabalho. Aperte a alavanca do trinco e abra a porta. Em seguida abra a tampa do carregador. (Fig. 6)

Levante e rode a placa de suporte do rolo de forma que a seta indicadora da dimensão do prego na placa de suporte aponte para a graduação correspondente indicada no carregador. Se operar a ferramenta com a placa de suporte do rolo regulada na etapa incorrecta, o reabastecimento de pregos poderá ser inadequado ou poderá ocorrer o mau funcionamento. (Fig. 7)

Coloque o rolo de pregos sobre a placa de suporte do rolo. Desenrole pregos suficientes para alcançar a garra de avanço. Coloque o primeiro prego no canal do accionador e o segundo na garra de avanço. Coloque os outros pregos desenrolados no chassi do alimentador. Depois de verificar que o rolo de pregos está devidamente instalado no carregador, feche a tampa do carregador. (Fig. 8)

### Conectar a mangueira de ar (Fig. 9)

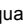
Deslize o soquete da mangueira de ar no conector de ar do pregador. Assegure-se que o soquete de ar se trave firmemente no lugar quando instalado no conector de ar. Um acoplamento de mangueira deve ser instalado na ferramenta ou próximo da mesma de forma que a reserva de pressão descarregue no momento que o acoplamento de fornecimento de ar for desconectado.

## OPERAÇÃO

### ⚠️ PRECAUÇÃO:

- Certifique-se de que todos os sistemas de segurança estão a funcionar adequadamente antes da operação.

### Modo de pregagem contínua

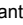
Rode a alavanca para a posição  enquanto pressiona o botão no lado oposto da alavanca. (Fig. 10 e 11)

1. Para pregar, coloque o elemento de contacto contra a peça de trabalho e aperte o gatilho.
  2. Primeiro aperte o gatilho e depois coloque o elemento de contacto contra a peça de trabalho.
- O método n° 1 é para pregagem intermitente, quando deseja pregar cuidadosa e precisamente. O método n° 2 é para pregagem contínua.

### ⚠️ PRECAUÇÃO:

- Funcionar com a ferramenta sem pregos diminui o tempo de vida útil da ferramenta e deve ser evitado.

### Modo sequencial (modo de pregagem intermitente) (Fig. 12)

Rode a alavanca para a posição  enquanto pressiona o botão no lado oposto da alavanca.

Para pregar, coloque o elemento de contacto contra a peça de trabalho e aperte o gatilho.

### ⚠️ PRECAUÇÃO:

- COM A GATILHO APERTADO ATÉ A METADE, pode ocorrer um disparo inesperado se permitir que o elemento de contacto toque outra vez na peça de trabalho ou em outra superfície durante o retrocesso. Para evitar um disparo inesperado, proceda como a seguir:
  - A. Não force demais o elemento de contacto contra a peça de trabalho.
  - B. Aperte o gatilho até o fim e segure-o por 1 a 2 segundos depois de pregar.
- Funcionar com a ferramenta sem pregos diminui a vida útil da ferramenta e deve ser evitado.

### Pregador entravado (Fig. 13)

### ⚠️ PRECAUÇÃO:

- Desconecte sempre a mangueira de ar e retire o carregador antes de eliminar a obstrução.

Se o pregador ficar encravado, proceda como a seguir: Abra a tampa do carregador e retire o rolo de pregos. Insira uma vareta pequena ou algo semelhante no porto de ejeção e bata de leve na mesma com um martelo para retirar o prego que está a obstruir o porto de ejeção. Recoloque o rolo de pregos e feche a tampa do carregador.

### Pregos

Manuseie os pentes de pregos e as suas caixas com cuidado. Se manusear os pregos electrosoldados descuidadamente, os mesmos podem ser deformados ou os seus conectores podem quebrar, causando mau reabastecimento de pregos. (Fig. 14)

Evite guardar os pregos em lugares muito húmidos ou muito quentes ou em lugares expostos à luz solar directa. (Fig. 15)

## MANUTENÇÃO

### ⚠️ PRECAUÇÃO:

- Desconecte sempre a mangueira de ar da ferramenta antes de efectuar qualquer inspecção ou manutenção.
- Nunca utilize gasolina, benzina, diluente, álcool ou produtos semelhantes. Pode ocorrer a descoloração, deformação ou rachaduras.

### Manutenção do pregador

Antes de funcionar, verifique sempre a condição geral da ferramenta e inspecione para ver se há parafusos soltos. Aperte-os como necessário. (Fig. 16)

Com a ferramenta desligada, efectue inspecções diárias para garantir o movimento livre do elemento de contacto e do gatilho. Não utilize a ferramenta se o elemento de contacto ou o gatilho grudar ou empernar. (Fig. 17)

Se não for utilizar a ferramenta por um longo período de tempo, lubrifique-a com óleo pneumático para ferramenta e armazene-a num lugar seguro. Evite expor a ferramenta à luz solar directa e/ou a ambientes húmidos ou quentes. (Fig. 18 e 19)

## Manutenção do compressor, conjunto de ar e mangueira de ar

Sempre esvazie o tanque do compressor e o filtro de ar após a operação. Se humidade penetrar na ferramenta, poderá afectar o desempenho ou causar falha da ferramenta. (Fig. 20 e 21)

Inspeccione regularmente para ver se há óleo pneumático suficiente no recipiente de óleo do conjunto de ar. Se não efectuar a lubrificação suficiente, os anéis O-rings se desgastarão rapidamente. (Fig. 22)

Mantenha a mangueira de ar afastada do calor (acima de 60°C) e de produtos químicos (diluente, ácidos fortes e álcalis). Também, coloque a mangueira longe de obstáculos nos quais a mesma possa ser presa perigosamente durante a operação.

A mangueira também deve ser direccionada longe de arestas aguçadas ou áreas que possam causar danos ou abrasão na mangueira. (Fig. 23)

Para manter a SEGURANÇA e a CONFIABILIDADE do produto, reparo, qualquer outra manutenção ou ajustamentos devem ser realizados por centros de assistência autorizada Makita, sempre utilizando peças de reposição originais Makita.

## ACESSÓRIOS OPCIONAIS

### ⚠️ PRECAUÇÃO:

- Estes acessórios ou acoplamentos são os recomendados para uso na ferramenta Makita especificada neste manual. A utilização de qualquer outro acessório ou acoplamento poderá ser perigosa para o operador. Os acessórios ou acoplamentos devem ser utilizados de maneira adequada e apenas para os fins a que se destinam.

No caso de necessitar ajuda para mais detalhes sobre estes acessórios, consulte ao centro de assistência local da Makita.

- Pregos
- Mangueira de ar
- Óculos de segurança

### NOTA:

- Alguns itens da lista podem estar incluídos na embalagem da ferramenta como acessórios padrão. Eles podem variar de país para país.

ENG905-1

## Ruído

A característica do nível de ruído A determinado de acordo com EN792:

Nível de pressão de som ( $L_{pA}$ ): 98,3 dB (A)

Nível do som ( $L_{WA}$ ): 98,9 dB (A)

Variabilidade (K): 2,5 dB (A)

**Utilize protectores para os ouvidos**

ENG904-2

## Vibração

Valor total da vibração determinado conforme EN792:

Emissão de vibração ( $a_h$ ): 2,52 m/s<sup>2</sup>

Variabilidade (K): 1,26 m/s<sup>2</sup>

- O valor da emissão de vibração indicado foi medido de acordo com o método de teste padrão e pode ser utilizado para comparar duas ferramentas.
- O valor da emissão de vibração indicado pode também ser utilizado na avaliação preliminar da exposição.

### ⚠️ AVISO:

- A emissão de vibração durante a utilização real da ferramenta eléctrica pode diferir do valor de emissão indicado, dependendo das formas como a ferramenta é utilizada.
- Certifique-se de identificar as medidas de segurança para protecção do operador que sejam baseadas em uma estimativa de exposição em condições reais de utilização (considerando todas as partes do ciclo de operação, tal como quando a ferramenta está desligada e quando está a funcionar em marcha lenta além do tempo de accionamento).

ENH101-15

## Só para países Europeus

### Declaração de conformidade CE

**Nós, a Makita Corporation, fabricante responsável, declaramos que a(s) seguinte(s) ferramenta(s) Makita:**

Designação da ferramenta:

Pregador Pneumático

Modelos n°/Tipo: AN902

são de produção de série e

**Em conformidade com as seguintes directivas europeias:**

2006/42/EC

E estão fabricados de acordo com as seguintes normas ou documentos normativos:

EN792

A documentação técnica é mantida pelo nosso representante autorizado na Europa:

Makita International Europe Ltd.

Michigan Drive, Tongwell,

Milton Keynes, Bucks MK15 8JD, Inglaterra

29.3.2011



Tomoyasu Kato

Director

Makita Corporation

3-11-8, Sumiyoshi-cho,  
Anjo, Aichi, 446-8502, JAPAN

## SVENSKA (Ursprunglig bruksanvisning)

### Förklaring till översiktsbilderna

1 Tryckluftolja	8 Magasinlock	15 Växlingsreglage
2 Justerskruv	9 Spikbandsstödplatta	16 Hammare
3 Upphöjning	10 Gradering	17 Liten stav
4 Hål	11 Matarklo	18 Vattenavskiljare
5 Nosadapter	12 Tryckluftgång	19 Lufffilter
6 Dörr	13 Tryckluftkoppling	20 Dimsmörjare
7 Spärreglage	14 Avtryckare	21 Tryckluftolja

## SPECIFIKATIONER

Modell	AN902
Lufttryck	0,49 – 0,83 MPa (4,9 – 8,3 bar)
Spiklängd	Rundbandad spik 45 mm – 90 mm
Spikmagasin	150 – 300 st
Minsta slangdiameter	6,5 mm
Tryckluftolja	Turbinolja
Mått (L x B x H)	318 mm x 128 mm x 378 mm
Vikt	3,5 kg

- På grund av vårt pågående program för forskning och utveckling kan dessa specifikationer ändras utan föregående meddelande.
- Specifikationerna kan variera mellan olika länder.
- Vikt i enlighet med EPTA-procedur 01/2003

ENE059-1

### Användningsområde

Maskinen är avsedd för inledande interiörarbeten, som att fästa golvbjälkar eller takreglar och ramverksarbeten i byggnationer om 2" x 4".

ENB090-4

## VIKTIGA SÄKERHETSANVISNINGAR

**VARNING: NÄR MASKINEN ANVÄNDS MÅSTE ALLTID FÖLJANDE GRUNDLÄGGANDE SÄKERHETSFÖRESKRIFTER FÖLJAS FÖR ATT MINIMERA RISKEN FÖR PERSONSKADOR:**

### LÄS ALLA ANVISNINGAR.

- Läs bruksanvisningen innan verktyget används med hänsyn till din personliga säkerhet och för rätt handhavande och underhåll.
- Använd alltid skyddsglasögon för att skydda ögonen från damm och spikar.  
VARNING:  
Det är arbetsgivarens ansvar att tillse att skyddsglasögon används av maskinoperatörerna samt av övriga personer i maskinens omedelbara närhet.
- Använd hörselskydd och hjälm. Använd åtsittande, men bekväm klädsel. Ärmarna ska vara knäppta eller uppkavlade. Bär inte slips.
- Undvik tidspress under arbetet och forcera aldrig maskinen. Hantera maskinen försiktigt. Använd inte maskinen under påverkan av alkohol eller mediciner.

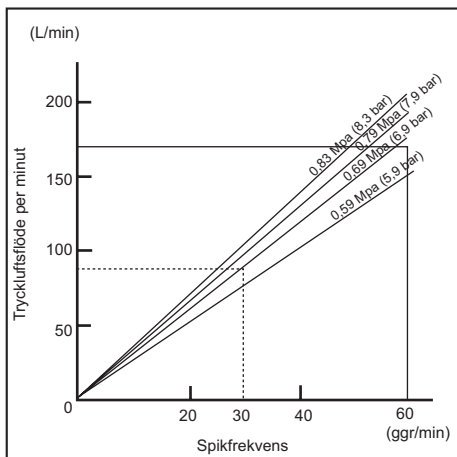
- Allmänna riktlinjer för hantering av maskinen:
  1. Förutsätt alltid att verktyget är laddat med spik.
  2. Rikta inte verktyget mot dig själv eller någon annan oavsett om det är laddat eller inte.
  3. Tryck inte på avtryckaren utan att verktyget hålls stadigt mot ett arbetsstycke.
  4. Behandla verktyget som ett arbetsredskap.
  5. Det är ingen leksak.
  6. Ha inte fingret på avtryckaren medan du håller eller bär på verktyget.
  7. Ladda inte verktyget med spikar när en funktion är aktiverad.
  8. Använd inte någon annan strömkälla för verktyget än den som anges i bruks- och säkerhetsanvisningarna.
- En maskin som inte fungerar på avsett sätt får inte användas.
- Gnistor kan bildas när verktyget används. Använd därför inte maskinen i närheten av flyktiga eller lättantändliga material, som bensin, thinner, målarfärg, gas, lim osv, eftersom de kan antändas och explodera med allvarliga personskador som följd.
- Arbetsområdet måste ha tillräcklig belysning för att garantera en säker användning. Arbetsområdet ska vara rent och fritt från hindrande föremål. Var särskilt uppmärksam på att alltid ha ordentligt fötfälle och god balans.
- Obehöriga får inte finnas inom arbetsområdet. Var särskilt noga med att barn inte uppehåller sig inom området.
- Följ även eventuella lokala föreskrifter om bullernivåer. Under vissa omständigheter kan bullerskärmar behöva användas.

- Sätt inte kontaktplattan ur funktion: Det förhindrar oavsiktlig avfyrning och måste alltid finnas på plats. Att låsa avtryckaren i läget ON är mycket farligt. Försök under inga omständigheter att spärra avtryckaren. Använd inte verktyget om något funktionsreglage är ur funktion, urkopplat, har ändrats eller inte fungerar på avsett sätt.
- Använd maskinen med föreskrivet lufttryck 0,49 – 0,83 MPa (4,9 – 8,3 bar) av säkerhetsskäl och för längsta möjliga livslängd på maskinen. Överskrid inte det rekommenderade maxtrycket 0,83 MPa (8,3 bar). Maskinen får inte anslutas till en kompressor vars kapacitet kan överskrida 1,37 MPa (13,7 bar).
- Kontrollera att anslutningstrycket inte överskrider maskinens tillåtna maxtryck. Använd i första hand det lägre värdet på rekommenderat tryck (se SPECIFIKATIONER).
- Försök aldrig att driva verktyget med annat än tryckluft. Om gasflaskor (koldioxid, syre, kväve, väte, luft osv) eller brännbara gaser (väte, propan, acetylen osv) används för att driva maskinen kommer den att explodera och orsaka allvarliga personskador.
- Kontrollera alltid maskinens allmänna kondition innan du använder den och tillse att det inte finns lösa skruvar. Dra fast skruvarna om det behövs.
- Kontrollera alltid att alla skyddsanordningar fungerar innan du använder verktyget. Maskinen får inte starta om du antingen trycker på avtryckaren eller trycker kontaktarmen mot arbetsstycket. Både avtryckare och kontaktarm måste användas. Kontrollera funktionen med tomt magasin och med inmataren helt tillbakadragen.
- Kontrollera väggar, golv, inner- och yttertak o dyl. noggrant för att inte orsaka kortslutning, elstötar, gasläckage, explosioner osv genom att spika i el- eller gasledning.
- Använd endast spiktyper som specificeras i denna bruksanvisning. Andra typer av spikar kan medföra att maskinen inte fungerar på avsett sätt.
- Använd aldrig spikpistol märkta med symbolen "Använd inte på byggnadsställningar eller stegar." för arbetsuppgifter av följande typ:
  - Om du under arbetets gång måste använda byggnadsställning, trappa, stege eller liknande, t ex takläkt,
  - spikning av lädor,
  - montering av transportsäkringar, till exempel på fordon och vagnar.
- Låt inte obehöriga använda verktyget.
- Kontrollera att inga obehöriga finns inom arbetsområdet innan du använder verktyget. Spika aldrig från insidan och utsidan i samma moment. Spikar riskerar att skjutas igenom och/eller iväg och orsaka en allvarlig risksituation.
- Se till att alltid ha ordentligt fotfäste och god balans när du använder verktyget. Kontrollera att andra personer inte befinner sig under dig när du arbetar på hög höjd och säkerställ att tryckluftslangen inte utgör en olycksrisk.
- På hustak och andra arbetsplatser på hög höjd ska du röra dig framåt medan du spikar. Det är lätt att förlora fotfästet om du rör dig bakåt samtidigt som du spikar. Om du ska spika vertikalt ska du spika uppifrån och ned. Det är mindre tröttnande.
- Om du råkar spika i en annan spik eller i en kvist i trävirket kan spiken böjas eller verktyget fastna. Spiken kan i detta fall kastas iväg och orsaka personskada. Även maskinen i sig kan utgöra en olycksrisk. Placera spikarna noggrant.
- Lämna inte ett laddat verktyg eller en trycksatt kompressor i direkt solljus under längre tid. Förvara maskinen på en plats där den inte riskerar att utsättas för damm, sand, spånor eller andra partiklar.
- Rikta inte mynningen mot andra personer. Se också till att dina egna händer och fötter inte är i riskzonen.
- När tryckluftslangen är ansluten ska du inte bära verktyget eller räkka över det till någon annan samtidigt som du har fingret på avtryckaren. Oavsiktlig avfyrning kan vara mycket farlig.
- Hantera maskinen försiktigt eftersom det höga trycket i verktyget kan vara farligt om en spricka uppstår genom ovarsam hantering (T.ex genom att man tappar eller slår till med verktyget). Försök aldrig att rista in eller gravera något på verktyget.
- Avbryt arbetet omedelbart om du misstänker att något är fel eller onormalt med maskinen.
- Koppla alltid loss luftslangen och ta ur spikarna i följande situationer:
  1. Lämnad utan tillsyn.
  2. Inför underhåll och reparationer.
  3. När en spik som har fastnat ska tas bort.
  4. Innan maskinen flyttas till en annan plats.
- Rengör och underhåll verktyget direkt efter avslutat arbete. Se till att alltid hålla den i bästa skick. Smörj rörliga delar för att förhindra korrosion och minimera friktionsrelaterad förlitning. Torka bort allt damm från de olika delarna.
- Gör inga ändringar på verktyget utan tillstånd från Makita.
- Låt ett auktoriserat Makita servicecenter utföra regelbunden kontroll av maskinen.
- För att upprätthålla produktens SÄKERHET och TILLFÖRLITLIGHET bör allt underhålls- och justeringsarbete utföras av ett auktoriserat Makita servicecenter och med reservdelar från Makita.
- Använd endast tryckluftsolja som specificeras i denna bruksanvisning.
- Anslut aldrig verktyget till en tryckluftsledning där lufttrycket kan överstiga det lämpliga lufttrycket för verktyget med 10% (se tabellen SPECIFIKATIONER).
- Maskiner som drivs av tryckluft bör endast användas med lägsta möjliga tryck som krävs för det aktuella arbetet - det kan annars ge onödigt höga ljudnivåer och ökat slitage samt orsaka andra fel.
- Försök inte att spärra kontaktelementet i intryckt läge med tejp eller tråd. Det innebär livsfara eller risk för allvarliga olyckor.
- Kontrollera alltid kontaktelementet enligt anvisningarna i denna bruksanvisning. Spikar kan avfyras oavsiktligt om säkerhetsmekanismen inte fungerar på avsett sätt.

## SPARA DESSA ANVISNINGAR.

## INSTALLATION

### Välja kompressor



Luftkompressorn måste uppfylla kraven enligt EN60335-2-34.

Välj en kompressor med lämpligt tryck och luftflöde för en kostnadseffektiv drift. Diagrammet visar sambandet mellan spikfrekvens, applicerat tryck och luftflöde från kompressorn.

Om du exempelvis ska spika ca 30 spikar i minuten och trycket är 0,69 MPa (6,9 bar), måste kompressorns kapacitet vara minst 80 L/minut.

Tryckregulatorer måste användas för att begränsa trycket till maskinens nominella tryck om tryckluftssystemet ger ett högre tryck. I annat fall finns risk för allvariga personskadorna för både användaren och personer i närheten.

### Val av luftslang (Fig. 1)

För att kunna använda maskinen effektivt bör du välja en tryckluftslang med så stor diameter som möjligt och som är så kort som möjligt. För trycket 0,49 MPa (4,9 bar) rekommenderas en slang med en innerdiameter över 6,5 mm och en längd under 20 m om spikningsfrekvensen är 2 spikar per sekund. Tryckluftslangar ska vara godkända för ett arbetstryck på minst 1,03 MPa (10,3 bar) eller 150 procent av maximalt tryck som systemet kan ge om detta är högre.

### ⚠ FÖRSIKTIGHET:

- Låg kompressorkapacitet, lång slang eller liten diameter i förhållande till spikfrekvensen kan minska maskinens spikdrivningskraft.

### Smörjning

Anslut luftfiltrering (dimsmörjning, regulator, luftfilter) så nära maskinen som möjligt för att säkerställa bästa möjliga prestanda. Ställ in dimsmörjningen till en droppe olja per 30 spikar. (Fig. 2)

Om luftfilter/dimsmörjning inte används måste du smörja maskinen med två (2) eller tre (3) droppar tryckluftsolja i tryckluftanslutningen. Detta ska göras både före och efter användningen. Avfyr maskinen några gånger för att tryckluftsoljan ska spridas på rätt sätt. (Fig. 3)

## FUNKTIONSBESKRIVNING

### ⚠ FÖRSIKTIGHET:

- Koppla alltid loss tryckluftslangen innan du utför justeringar på maskinen eller kontrollerar maskinens funktion.

### Justera spikdjupet (Fig. 4)

För att justera spikdjupet vrids du på justerskruven. Spikdjupet är maximalt när justerskruven vrids så långt åt som möjligt i riktning A enligt figuren. Spikdjupet avtar när justerskruven vrids i riktning B. Om spikarna inte kan drivas in tillräckligt när justerskruven är vriden fullt ut i A-riktningen måste lufttrycket ökas. Om spikarna drivs in för djupt när justerskruven är vriden fullt ut i B-riktningen måste lufttrycket minskas. Normalt ökar maskinens livslängd om tryckluft med lågt tryck används och justerskruven sätts till ett lägre spikdjup.

### ⚠ FÖRSIKTIGHET:

- Koppla alltid loss slangen innan du ställer in spikdjupet.

### Använda nosadaptern (Fig. 5)

### ⚠ FÖRSIKTIGHET:

- Koppla alltid loss slangen innan du monterar eller tar bort nosadaptern.

Om du vill skydda arbetsstyckets yta kan du fästa nosadaptern till kontaktarmen.

Använd nosadaptern när du spikar i arbetsstycken med bräckliga ytor. Fäst nosadaptern till kontaktarmen genom att trycka fast den på kontaktarmen så att de tre upphöjningarna i nosadaptern fäster i de tre hålen på kontaktarmen.

## MONTERING

### ⚠ FÖRSIKTIGHET:

- Koppla alltid loss luftslangen innan något arbete görs på maskinen.

### Laddning av spikmaskinen

Välj spiktyp beroende på vilket arbete som ska utföras. Tryck in spårreglaget och öppna dörren. Ta sedan av magasinlocket. (Fig. 6)

Lyft och vrid spikbandsstödpattan så att pilen som visar spikstorlek på spikbandsstödpattan perkar på motsvarande graderingsmarkering på magasinet. Används maskinen med spikbandsstödpattan på fel spår, kan det leda till dålig spikmatning eller att maskinen inte fungerar som den ska. (Fig. 7)

Placera spikbandet på spikbandsstödpattan. Linda upp tillräckligt med spikar så att bandet når fram till matarklon. Placera den första spiken i slagläge och den andra i matarklon. Placera övriga upplindade spikar på mataren. Stäng magasinlocket när du har kontrollerat att spikbandet ligger som det ska i magasinet. (Fig. 8)

### Anslutning av luftslang (Fig. 9)

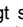
Sätt på luftslangens snabbkoppling på spikmaskinens tryckluftsgång. Kontrollera att snabbkopplingen låser slangen. En slangkoppling måste monteras på eller så nära maskinen att trycket släpps när slangen kopplas loss.

## ANVÄNDNING

### ⚠ FÖRSIKTIGHET:

- Kontrollera alltid att alla skyddsanordningar fungerar innan du använder maskinen.

### För kontinuerlig spikning

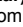
Vrid reglaget till positionen  samtidigt som du håller ned knappen på den andra sidan av reglaget. (Fig. 10 och 11)

1. När du ska spika trycker du kontaktarmen mot arbetsstycket och trycker in avtryckaren.
  2. Trycker först på avtryckaren och därefter kontaktarmen mot arbetsstycket.
- Metod nummer 1 är lämplig när du vill spika in en enstaka spik mycket noggrant och exakt. Metod nummer 2 är lämplig för kontinuerlig spikning.

### ⚠ FÖRSIKTIGHET:

- Maskinens livslängd förkortas om den används utan spik och detta bör därför undvikas.

### För sekventiell spikning (enstaka spikar) (Fig. 12)

Vrid reglaget till positionen  samtidigt som du håller ned knappen på den andra sidan av reglaget.

För att slå i en spik kan du placera kontaktplattan mot arbetsstycket och trycka in avtryckaren.

### ⚠ FÖRSIKTIGHET:

- MED AVTRYCKAREN HALVVÄGS INTRYCKT kan en spik avfyras oavsiktligt om kontaktplattan åter får kontakt med arbetsstycket eller annan yta till följd av rekyl. För att undvika sådan oavsiktlig avfyring gör du på följande sätt:
  - A. Tryck inte kontaktplattan hårt mot arbetsstycket.
  - B. Tryck in avtryckaren helt och håll den intryckt 1 – 2 sekunder efter spikningen.
- Maskinens livslängd förkortas om den används utan spik och detta bör därför undvikas.

### Spikmaskinen som fastnar (Fig. 13)

### ⚠ FÖRSIKTIGHET:

- Koppla alltid loss slangen och ta ur spikarna från magasinet innan du tar bort spiken som fastnar.

Gör på följande sätt om en spik fastnar:

Öppna magasinlocket och ta sedan bort spikbandet. Sätt i en liten stång eller liknande i mynningen och knacka lätt på den med en hammare för att ta ur spiken som fastnat i mynningen. Sätt tillbaka spikbandet och stång magasinlocket.

### Spikar

Hantera spikband och kartongerna med spikband försiktigt. Om spikbanden hanteras ovarsamt kan spikarna deformeras eller lossna vilket leder till dålig spikmatning. (Fig. 14)

Undvik att förvara spikbanden i mycket fuktiga eller varma utrymmen eller så att de utsätts för direkt solljus. (Fig. 15)

## UNDERHÅLL

### ⚠ FÖRSIKTIGHET:

- Koppla alltid loss luftslangen från maskinen före kontroll eller underhåll.
- Använd aldrig bensin, tvättbensin, thinner, alkohol eller liknande. Det kan resultera i missfärgning, deformation eller sprickor.

### Underhåll av spikmaskin

Före användning måste du alltid kontrollera att maskinen är i gott skick och att inga skruvar är lösa. Dra i förekommande fall åt lösa skruvar. (Fig. 16)

Innan tryckluften ansluts till maskinen kontrollerar du dagligen att kontaktplatta och avtryckare kan röra sig fritt. Använd inte maskinen om avtryckare eller kontaktplatta har fastnat eller rör sig trögt. (Fig. 17)

Om maskinen inte ska användas under en längre tid ska den smörjas in med tryckluftolja och förvaras säkert. Undvik att utsätta maskinen för direkt solljus och/eller hög fuktighet eller värme. (Fig. 18 och 19)

### Underhåll av kompressor, luftfilter/dimsmörjning och tryckluftslang

Töm alltid kompressortank och luftfilter efter användning. Fukt som kommer in i maskinen kan leda till sämre prestanda eller fel på maskinen. (Fig. 20 och 21)

Kontrollera regelbundet att det finns tillräckligt med tryckluftsolja i dimsmörjningen. Om smörjningen inte är tillräcklig förslits O-ringarna snabbt. (Fig. 22)

Utsätt inte tryckluftslangen för värme (över 60°C) eller kemikalier (thinner, starka syror eller baser). Se också till att slangen löper fritt under arbetet och inte riskerar att fastna vilket kan resultera i att risksituationer uppstår. Dra också slangen så att den inte riskerar att skadas på skarpa kanter och annat som ger ökad förslitning. (Fig. 23)

För att upprätthålla produktens SÄKERHET och TILLFÖRLITLIGHET bör allt underhålls- och justeringsarbete utföras av ett auktoriserat Makita servicecenter och med reservdelar från Makita.

## EXTRA TILLBEHÖR

### ⚠ FÖRSIKTIGHET:

- Dessa tillbehör och tillsatser rekommenderas för användning tillsammans med den Makita-maskin som denna bruksanvisning avser. Om andra tillbehör eller tillsatser används kan det uppstå risk för personskador. Använd endast tillbehören eller tillsatserna för de syften de är avsedda för.

Kontakta ditt lokala Makita servicecenter om du behöver ytterligare information om dessa tillbehör.

- Spikar
- Tryckluftslangar
- Skyddsglasögon

### OBSERVERA:

- Vissa föremål i listan kanske ingår i verktygspaketet som standardtillbehör. Detta kan variera i olika länder.

**Buller**

Den typiska A-vägda brusnivån är fastställd i enlighet med EN792:

Ljudtrycksnivå ( $L_{pA}$ ): 98,3 dB (A)

Ljudeffektnivå ( $L_{WA}$ ): 98,9 dB (A)

Osäkerhet (K): 2,5 dB (A)

**Bär hörselskydd**

ENG904-2

**Vibration**

Vibrationernas totala värde (trippelaxial vektorsumma) bestämd i enlighet med EN792:

Vibrationsvärde ( $a_{R1}$ ): 2,52 m/s<sup>2</sup>

Osäkerhet (K): 1,26 m/s<sup>2</sup>

ENG901-1

- Uppgivna vibrationsvärden har mätts enligt standardtestmetod och kan användas för att jämföra olika maskiner.
- Uppgivna vibrationsvärden kan dessutom användas som preliminär bedömning av vibrationsexponering.

**⚠ VARNING:**

- Vibrationsexponering under faktisk användning av maskinen kan skilja sig från uppgivna värden beroende på att maskinen kan användas på olika sätt.
- Vidta skyddsåtgärder för användaren baserat på en bedömning av exponering under aktuella förhållanden (med hänsyn tagen till hela arbetet såsom hur många gånger maskinen stängs av och hur stor del av tiden som den körs obelastad).

ENH101-15

**Endast för Europa****Försäkran om överensstämmelse (CE)**

**Makita Corporation försäkrar i egenskap av ansvarig tillverkare att följande Makita-maskiner:**

Maskinbeteckning: Rundbandad spikpistol

Model nr./Type: AN902

Här serietillverkade och

**Uppfyller följande EU-direktiv:**

2006/42/EC

Och är tillverkad i enlighet med följande normer eller normdokument:

EN792

Teknisk dokumentation finns tillgänglig hos vår auktoriserade representant i Europa:

Makita International Europe Ltd.

Michigan Drive, Tongwell,

Milton Keynes, Bucks MK15 8JD, England

29.3.2011



Tomoyasu Kato

Direktör

Makita Corporation

3-11-8, Sumiyoshi-cho,

Anjo, Aichi, 446-8502, JAPAN



**Oversiktsforklaring**

1	Pneumatisk verktøyolje	8	Magasindeksel	15	Koblingsarm
2	Justeringshjul	9	Coilstøtteplate	16	Hammer
3	Fremspring	10	Gradering	17	Liten stang
4	Hull	11	Mateklo	18	Tappekran
5	Spissadapter	12	Luffitting	19	Luffilter
6	Dør	13	Luftstøpsel	20	Smøreanordning
7	Låsehendel	14	Avtrekkeren	21	Pneumatisk olje

**TEKNISKE DATA**

Modell	AN902
Luftrykk	0,49 – 0,83 MPa (4,9 – 8,3 bar)
Spikerlengde	Coilspiker på wire 45 mm – 90 mm
Spikerkapasitet	150 – 300 stk
Minste slangediameter	6,5 mm
Pneumatisk verktøyolje	Turbinolje
Mål (L x B x H)	318 mm x 128 mm x 378 mm
Nettvekt	3,5 kg

- Som følge av vårt kontinuerlige forsknings- og utviklingsprogram kan de tekniske dataene endres uten ytterligere forvarsel.
- Tekniske data kan variere fra land til land.
- Vekt i henhold til EPTA-prosedyre 01/2003

ENE059-1

**Beregnet bruk**

Verktøyet er beregnet for forberedende innvendig arbeid, slik som å feste gulvbjelker eller vanlig sperreverk og bjelkeverksarbeid i 2" x 4" hus.

ENB090-4

**VIKTIGE SIKKERHETSINSTRUKSJONER**

**ADVARSEL: NÅR DU BRUKER DETTE VERKTØYET MÅ DU ALLTID FØLGE DE GRUNNLEGGENDE SIKKERHETSINSTRUKSJONENE FOR Å REDUSERE FAREN FOR PERSONSKADER. DETTE INNEBÆRER:**

**LES ALLE INSTRUKSJONENE.**

- Av hensyn til din personlige sikkerhet og riktig drift og vedlikehold av verktøyet, må du lese denne brukerhåndboken før du begynner å bruke verktøyet.
- Bruk alltid vernebriller for å beskytte øyne mot støv og skader fra spiker.
- **ADVARSEL:**  
Det er arbeidsgivers ansvar å påse at de som bruker verktøyet og alle andre personer i arbeidsområdets umiddelbare omgivelser bruker vernebriller.
- Bruk hørselsvern for å beskytte hørselen din mot støy fra luftutløpet, og som hodebeskyttelse. Bruk også lette, men ikke løse klær. Ermer må være kneppet eller rullet opp. Ikke bruk slips.
- Det kan være farlig å forhaste seg i arbeidet, eller å bruke makt på verktøyet. Verktøyet må behandles forsiktig. Ikke bruk verktøyet hvis du har drukket alkohol eller er under påvirkning av legemidler, narkotiske stoffer e.l.

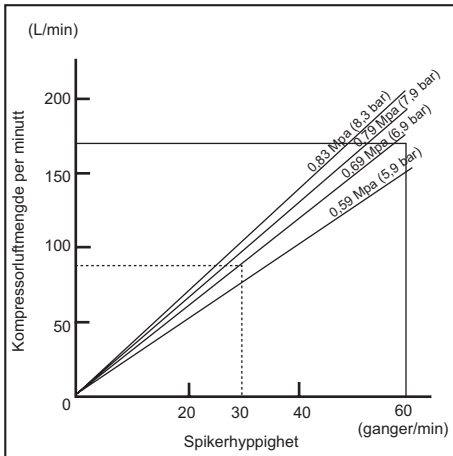
- Generelle retningslinjer for håndtering av verktøyet:
  1. Gå alltid ut fra at verktøyet inneholder spikere.
  2. Ikke rett verktøyet mot deg selv eller andre, enten det inneholder spikere eller ikke.
  3. Ikke start verktøyet med mindre det er plassert godt mot arbeidsstykket.
  4. Respekter verktøyet som arbeidststyr.
  5. Ikke driv med åblegøyer i nærheten av verktøyet.
  6. Ikke hold eller bær verktøyet med en finger på avtrekkeren.
  7. Ikke lad verktøyet med spikere mens noen av driftskontrollene er aktivert.
  8. Ikke bruk verktøyet med noen annen strømkilde enn den som er spesifisert i verktøyets drifts-/sikkerhetsinstruksjoner.
- Et verktøy som ikke fungerer helt som det skal, må ikke brukes.
- Når verktøyet brukes, kan det av og til fly gnister. Ikke bruk verktøyet i nærheten av flyktige, brennbare materialer som f.eks. bensin, tynner, maling, gass, lim osv. Disse vil antennes og eksplodere, og dermed forårsake alvorlige helseskader.
- Området må være tilstrekkelig opplyst til at det er trygt å bruke verktøyet. Området må være ryddig og fritt for rusk og rask. Vær spesiell påpasselig med å finne godt fotfeste og god balanse.
- Bare de som er involvert i arbeidet må være i nærheten. Det er særlig viktig at barn holdes unna til enhver tid.
- Det er mulig at lokale bestemmelser om støybegrensning krever at støynivået må holdes innen visse grenser. I visse tilfeller må det brukes lemmer for å dempe lyden.

- Ikke lek med kontaktelementet. Det forhindrer utilsiktet avfyring, så det må forbli på og ikke fjernes. Å låse avtrekkeren i ON-stilling er også meget farlig. Forsøk aldri å låse avtrekkeren. Ikke bruk et verktøy hvis noen del av verktøyets driftskontroller er ute av funksjon, frakoblet, modifisert eller ikke virker som de skal.
- Bruk verktøyet innenfor det spesifiserte lufttrykket på 0,49 – 0,83 MPa (4,9 – 8,3 bar) av hensyn til sikkerheten og for at verktøyet skal vare lenger. Ikke overskrid det anbefalte maksimale driftslufttrykket på 0,83 MPa (8,3 bar). Verktøyet må ikke kobles til en kilde med et trykk som potensielt overskrider 1,37 MPa (13,7 bar).
- Pass på at trykket som leveres av trykkluftsystemet ikke overskrider det maksimalt tillatte trykket for spikerpistolen. Til å begynne med må du stille inn lufttrykket på den laveste verdien for det anbefalte tillatte trykket (se TEKNISKE DATA).
- Verktøyet må aldri brukes med noe annet enn trykkluft. Hvis komprimert gass på flaske (karbondioksid, oksygen, nitrogen, hydrogen, luft osv.) eller eksplosive gasser (hydrogen, propan, acetylen osv.) brukes som kraftkilde for dette verktøyet, vil det eksplodere og forårsake alvorlige helseskader.
- Kontroller alltid at verktøyet er i generelt god stand og ikke har noen løse skruer, før du begynner å bruke det. Trekk til evt. skruer, om nødvendig.
- Pass på at alle sikkerhetssystemene fungerer som de skal før du tar verktøyet i bruk. Verktøyet må ikke starte hvis bare avtrekkeren trekkes, eller hvis bare kontaktelementet presses mot treet. Den må fungere kun når begge disse tingene gjøres samtidig. Mens verktøyet er tomt for spiker og skyveren er trukket helt tilbake, må du sjekke at verktøyet ikke starter.
- Kontroller vegger, tak, gulv osv. grundig for å unngå mulige elektriske støt, gasslekkasjer, eksplosjoner osv. som kan oppstå når du treffer strømførende ledninger, rør eller gassledninger med spikerne.
- Bruk kun spikere som angitt i denne håndboken. Hvis det brukes andre spikere, kan verktøyet slutte å fungere som det skal.
- Bruk aldri spikerpistoler merket med symbolet "Må ikke brukes på stillas eller stiger" til visse formål, for eksempel:
  - Når du skifter fra et arbeidssted til et annet, og dette krever at du bruker stillas, trapper, stiger eller stige-liknende konstruksjoner, f.eks. taktrinn.
  - Når du lukker bokser eller kasser.
  - Når du fester transportsikringsystemer, f.eks. på biler eller vogner.
- Ikke la noen bruke verktøyet som ikke har gjennomgått opplæring i bruken av det.
- Pass på at ingen er i nærheten, før du begynner å spikre. Forsøk aldri å spikre både fra innsiden og utsiden på én gang. Spikerne kan gå gjennom og/eller rikosjettere, og føre til alvorlig helseskade.
- Se hvor du går og hold balansen med verktøyet. Pass på at ingen befinner seg under deg når du jobber på høye steder, og sikre luftslangen så det ikke plutselig oppstår en farlig situasjon fordi noen rykker i slangen eller den setter seg fast.
- På toppen av tak og på andre høye steder må du spikre etterhvert som du beveger deg forover. Det er lett å miste balansen hvis du spikrer mens du beveger deg bakover. Når du spikrer mot en vinkelrett overflate, må du spikre ovenfra og ned. Du blir mindre sliten av spikringen hvis du gjør det på denne måten.
- En spiker kan bli bøyd, eller verktøyet kan låse seg hvis du ved en feil spikrer på toppen av en annen spiker, eller treffer en kvist i treet. Spikeren kan rikosjettere og treffe noen, eller verktøyet selv kan reagere på en farlig måte. Plasser spikerne med omhu.
- Ikke la et ladet verktøy eller en luftkompressor under trykk ligge lengre tid av gangen uten i solen. Ikke legg verktøyet fra deg på et sted der støv, sand, trebiter og fremmedlegemer kan komme inn i verktøyet.
- Ikke pek med munningen på noen i nærheten. Hold hender og føtter unna munningsområdet.
- Når luftslangen er tilkoblet, må du ikke bære verktøyet med fingeren på avtrekkeren, eller gi det til noen på denne måten. Utilsiktet avfyring av en spiker kan være uhyre farlig.
- Håndter verktøyet forsiktig. Det inneholder høyt trykk som kan være farlig hvis det oppstår en sprekk i verktøyet på grunn av røff håndtering (fall eller slag). Ikke forsøk å skrape eller inngrave noe i verktøyet.
- Hvis du merker at noe er galt eller uvanlig med verktøyet, må du omgående holde opp å spikre.
- Koble alltid fra luftslangen og ta ut alle spikrene:
  1. når du forlater verktøyet ubevoktet
  2. før vedlikehold eller reparasjon av verktøyet
  3. før en fastkjørt spiker skal tas ut
  4. før verktøyet skal flyttes til et annet sted
- Rengjøring og vedlikehold må utføres rett etter at jobben er avsluttet. Hold verktøyet i tipp topp stand. Smør bevegelige deler for å hindre at de ruste og for å minimalisere slitasje som skyldes friksjon. Tørk alt støv av delene.
- Ikke foreta endringer av verktøyet uten godkjenning fra Makita.
- Be Makitas autoriserte servicesenter om periodisk inspeksjon av verktøyet.
- For å opprettholde produktets SIKKERHET og PÅLIDELIGHET, må vedlikehold og reparasjoner utføres av Makitas autoriserte servicesenter, og det må alltid brukes reservedeler fra Makita.
- Bruk bare den pneumatiske verktøyoljen som er angitt i denne håndboken.
- Koble aldri verktøyet til trykkluftskilde hvor lufttrykket kan overstige det egnede lufttrykksnivået for verktøyet, som spesifisert i "TEKNISKE DATA", med 10%.
- Spikerpistoler som drives med komprimert luft, må bare opereres med det laveste lufttrykket som er nødvendig for det aktuelle arbeidet. Dette for å forebygge unødvendig høyt støynivå, økt slitasje og funksjonssvikt som følge.
- Ikke prøv å holde avtrekkeren eller kontaktelementet trykket med tape eller streng. Dette medfører livsfare!
- Kontroller alltid kontaktelementet som angitt i denne håndboken. Spikere kan avfyres ved et ulykkestilfelle hvis sikkerhetsmekanismen ikke virker som den skal.

## TA VARE PÅ DISSE INSTRUKSENE.

## MONTERING

### Velge kompressor



Luftkompressoren må oppfylle kravene i EN60335-2-34. Velg en kompressor som kan levere tilstrekkelig trykk og luftmengde til å sikre kostnadseffektiv drift. Grafen viser forholdet mellom spikerfrekvensen, det tilgjengelige trykket og kompressorens luftmengde.

Hvis du for eksempel skal spikre med en hastighet på ca. 30 spiker i minuttet og et trykk på 0,69 MPa (6,9 bar), trenger du en kompressor som kan levere mer enn 80 l/minutt. Trykkregulatorer må brukes til å begrense lufttrykket til verktøyets merketrykk, der hvor lufforsyningens trykk overskrider verktøyets merketrykk. Gjøres dette ikke, kan følgene bli alvorlige skader på verktøyoperatøren eller personer i nærheten.

### Velge luftslange (Fig. 1)

Bruk en luftslange som er så stor og så kort som mulig for å sikre kontinuerlig, effektiv spikring. Med et lufttrykk på 0,49 MPa (4,9 bar), anbefales det en luftslange med en invendig diameter på mer enn 6,5 mm og en lengde på mindre enn 20 m når intervallet mellom spikerne er 0,5 sekunder. Lufforsyningsslanger må ha et minste merkearbeidsstrykk på 1,03 MPa (10,3 bar) eller 150 prosent, avhengig av hvilken verdi som er størst.

#### ⚠ NB!

- Liten luftmengde ut av kompressoren, eller en lang slange eller en mindre slangediameter i forhold til spikerfrekvensen, kan forårsake en reduksjon i verktøyets spikringskapasitet.

### Smøring

For å sikre maksimal ytelse bør du installere et luftsett (smøreanordning, regulator, luftfilter) så nært verktøyet som mulig. Juster smøreanordningen slik at en dråpe olje vil bli avgitt for hver 30. spiker. (Fig. 2)

Når det ikke brukes et luftsett, må du olje verktøyet med den pneumatisk verktøyoljen ved å påføre luftfittingen 2 (to) eller 3 (tre) dråper. Dette bør gjøres før og etter bruk. For at smøringen skal få best mulig effekt, bør verktøyet avfyres et par ganger etter at den pneumatisk verktøyoljen er påført. (Fig. 3)

## FUNKSJONS BESKRIVELSE

#### ⚠ NB!

- Du må alltid koble fra luftslangen før du justerer eller kontrollerer verktøyets funksjoner.

### Justere spikringsdybden (Fig. 4)

For å justere spikringsdybden må du dreie på justeringshjulet. Spikringsdybden er størst når justeringshjulet ikke går lenger i A-retningen, som vist på figuren. Den vil bli mindre når justeringshjulet dreies i B-retningen. Hvis spikerne ikke kan drives langt nok inn, selv om justeringshjulet er dreid til anslag i A-retningen, må du øke lufttrykket. Hvis spikerne drives for langt inn, selv om justeringshjulet er dreid til anslag i B-retningen, må du redusere lufttrykket. Generelt kan det sies at verktøyets levetid vil være lenger hvis verktøyet brukes med lavt lufttrykk og justeringshjulet innstilt på en mindre spikringsdybde.

#### ⚠ NB!

- Før du justerer spikringsdybden må du alltid låse avtrekkeren og koble fra slangen.

### Bruke spissadapteren (Fig. 5)

#### ⚠ NB!

- Frakoble alltid slangen før du installerer eller fjerner spissadapteren.

Hvis du vil beskytte overflaten til arbeidsstykket, kan du sette på kontaktelelementets spissadapter.

Bruk spissadapteren når du spikrer i arbeidsstykker som har overflater som lett kan beskadiges. For å feste spissadapteren til kontaktelelementet, må du trykke den opp på kontaktelelementet til de tre fremspringene på innsiden av spissadapteren passer i de tre hullene i kontaktelelementet.

## MONTERING

#### ⚠ NB!

- Luftslangen må alltid kobles fra før du utfører noe arbeid på verktøyet.

### Lade spikerpistolen

Velg spiker som passer til arbeidet ditt. Trykk ned låsehendelen og åpne døren. Åpne deretter magasindekselet. (Fig. 6)

Løft og dreii coilstøtteplaten slik at pilen med spikerstørrelsen vist på spoleplaten, peker mot det tilhørende graderingstrinnet på magasinet. Hvis verktøyet brukes med coilstøtteplaten satt på feil trinn, kan resultatet bli dårlig spikermating eller funksjonsfeil. (Fig. 7)

Plasser spikerbåndet over coilstøtteplaten. Rull ut nok spiker til å nå matekloen. Plasser den første spikeren i driverkanalen og den andre spikeren i matekloen. Sett andre uopprullede spikre på materhuset. Lukk magasindekselet etter å ha kontrollert at spikercoilen er korrekt plassert i magasinet. (Fig. 8)

### Koble til luftslange (Fig. 9)


La luftstøpselet på luftslangen gli inn over luftfittingen på spikerpistolen. Forviss deg om at luftstøpselet går i inn-grep når det kobles til luftfittingen. En slangekupling må installeres på eller nær verktøyet på en slik måte at trykkreservoaret utlades i det øyeblikket lufforsyningens kupling kobles fra.

## BRUK

### ⚠ NB!

- Pass på at alle sikkerhetssystemene fungerer som de skal før du tar verktøyet i bruk.

### For kontinuerlig spikringsmodus


Drei håndtaket til  posisjon mens du trykker inn knappen på andre siden av håndtaket. (Fig. 10 og 11)

1. For å drive inn en spiker må du plassere kontaktelelementet mot arbeidsstykket og trekke i avtrekkeren.
  2. Trekke i avtrekkeren først og deretter plassere kontaktelelementet mot arbeidsstykket.
- Metode nr. 1 er for uregelmessig spikring, når du ønsker å slå inn én spiker forsiktig og meget nøyaktig. Metode nr. 2 brukes til kontinuerlig spikring.

### ⚠ NB!

- Hvis verktøyet brukes uten spiker, reduseres dets levetid. Dette bør unngås.

### For sekvensiell modus (periodisk spikringsmodus) (Fig. 12)

Drei håndtaket til  posisjon mens du trykker inn knappen på andre siden av håndtaket.

For å drive inn en spiker må du plassere kontaktelelementet mot arbeidsstykket og trekke i avtrekkeren.

### ⚠ NB!

- NÅR AVTREKKEREN HOLDES HALVVEIS INNE, kan spikre skytes ut uventet, hvis kontaktelelementet berører arbeidsstykket eller en annen overflate som følge av rekylen. For å unngå slik uventet spikring, må du gjøre følgende:
  - A. Ikke sett kontaktelelementet mot arbeidsstykket med overdreven kraft.
  - B. Klem avtrekkeren helt inn og hold den inne i 1 – 2 sekunder etter spikring.
- Bruk av verktøyet uten spiker forkorter verktøyet levetid og bør unngås.

### Fastkjørt spiker (Fig. 13)

### ⚠ NB!

- Koble fra luftslangen og ta ut spikrene fra magasinet før du løsner fastkjørt spiker.

Når det setter seg fast en spiker i spikerpistolen, må du gjøre følgende:

Åpne magasindekselet og ta ut spikerbåndet. Stikk en liten stang eller liknende inn i munningen og slå på den med en hammer for drive ut spikeren som er fastkjørt i munningen. Sett tilbake spikerbåndet og lukk magasindekselet.

### Spiker

Spikerbånd og boksen deres må håndteres forsiktig. Hvis spikercoillene har vært utsatt for røff behandling, kan de komme ut av stilling, eller kontakten deres kan brette, noe som gir dårlig spikermating. (Fig. 14)  
Unngå å lagre spiker på et veldig fuktig eller varmt sted, eller et sted som er utsatt for direkte sollys. (Fig. 15)

## VEDLIKEHOLD

### ⚠ NB!

- Koble alltid fra luftslangen før du forsøker å utføre inspeksjon eller vedlikehold.
- Bruk aldri bensin, rensebensin, tynner, alkohol eller liknende. Dette kan resultere i misfarging, deformasjoner eller sprekkdannelse.

## Vedlikehold av spikerpistolen

Kontroller alltid at verktøyet er i generelt god stand og ikke har noen løse skruer, før du begynner å bruke det. Trekk til evt. skruer, om nødvendig. (Fig. 16)  
Foreta den daglige inspeksjonen av verktøyet mens verktøyet er frakoblet. Forviss deg om at kontaktelelementet og avtrekkeren kan bevege seg fritt. Ikke bruk verktøyet hvis kontaktelelementet eller avtrekkeren gjør motstand eller beveger seg tregt. (Fig. 17)  
Når verktøyet ikke skal brukes på lengre tid, må du smøre det med pneumatisk verktøyolje og lagre det på et trygt sted. Unngå å utsette det for direkte sollys og/eller fuktighet eller varme omgivelser. (Fig. 18 og 19)

## Vedlikehold av kompressoren, luftsettet og luftslangen

Etter bruk må kompressortanken og luftfilteret alltid tømmes. Hvis det kommer fuktighet inn i verktøyet, kan det resultere i dårlig ytelse og mulig verktøydefekt. (Fig. 20 og 21)

Kontroller jevnlig for å se om det er tilstrekkelig med pneumatisk olje i smøreanordningen til luftsettet. Hvis verktøyet ikke tilføres tilstrekkelig med smøreolje, vil o-ringene fort bli slitt. (Fig. 22)

Hold luftslangen unna varme (mer enn 60°C) og kjemikalier (tynner, sterke syrer eller baser). Du må også legge slangen utenom hindringer som den kan komme til å sette seg fast i under drift, noe som kan være farlig. Slanger må også legges utenom skarpe kanter og områder hvor de kan bli skadet eller slitt. (Fig. 23)

For å opprettholde produktets SIKKERHET og PÅLITELIGHET, må reparasjoner, vedlikehold og justeringer utføres av Makitas autoriserte servicesentre, og det må alltid brukes reservedeler fra Makita.

## VALGFRITT TILBEHØR

### ⚠ NB!

- Det anbefales at du bruker dette tilbehøret eller verktøyet sammen med den Makita-maskinen som er spesifisert i denne håndboken. Bruk av annet tilbehør eller verktøy kan forårsake helseskader. Tilbehør og verktøy må kun brukes til det formålet det er beregnet på.

Ta kontakt med ditt lokale Makita-servicesenter hvis du trenger mer informasjon om dette tilbehøret.

- Spikere
- Luftslanger
- Vernebriller

### MERKNAD:

- Noen av artiklene i listen kan være inkludert i verktøypakken som standard tilbehør. De kan variere fra land til land.

ENG905-1

### Støy

Typisk A-vektet lydtryknivå bestemt i samsvar med EN792:

Lydtryknivå ( $L_{pA}$ ): 98,3 dB (A)  
Lydstyrkenivå ( $L_{WA}$ ): 98,9 dB (A)  
Usikkerhet (K): 2,5 dB (A)

### Bruk hørselvern

**Vibrasjoner**

Den totale vibrasjonsverdien bestemt i henhold til EN792:

Genererte vibrasjoner ( $a_w$ ): 2,52 m/s<sup>2</sup>

Usikkerhet (K): 1,26 m/s<sup>2</sup>

ENG901-1

- Den angitte verdien for de genererte vibrasjonene er blitt målt i samsvar med standardtestmetoden og kan brukes til å sammenlikne et verktøy med et annet.
- Den angitte verdien for de genererte vibrasjonene kan også brukes til en foreløpig vurdering av eksponeringen.

**⚠ ADVARSEL:**

- De genererte vibrasjonene ved faktisk bruk av elektroverktøyet kan avvike fra den oppgitte vibrasjonsverdien, avhengig av hvordan verktøyet brukes.
- Sørg for å identifisere sikkerhetstiltak som er basert på et estimat av eksponeringen under de faktiske bruksforholdene (idet det tas hensyn til alle deler av driftssyklusen, dvs. hvor lenge verktøyet er slått av, hvor lenge det går på tomgang, og hvor lenge startbryteren faktisk holdes trykket), for å beskytte operatøren.

ENH101-15

**Gjelder bare land i Europa****EF-samsvarserklæring**

**Som ansvarlig produsent erklærer vi, Makita Corporation, at følgende Makita-maskin(er):**

Maskinbetegnelse: Spikerpistol for konstruksjon

Modellnr./type: AN902

Her serieprodusert og

**samsvarer med følgende EU-direktiver:**

2006/42/EF

og er produsert i henhold til følgende standarder eller standardiserte dokumenter:

EN792

Den tekniske dokumentasjonen oppbevares av vår autoriserte representant i Europa, som er:

Makita International Europe Ltd.

Michigan Drive, Tongwell,

Milton Keynes, Bucks MK15 8JD, England

29.3.2011



Tomoyasu Kato

Direktor

Makita Corporation

3-11-8, Sumiyoshi-cho,

Anjo, Aichi, 446-8502, JAPAN

**Yleisen näkymän selitys**

1	Pneumaattinen koneöljy	8	Lippaan kansi	15	Vaihtokytkin
2	Säädin	9	Rullan tukilevy	16	Vasara
3	Ulkonema	10	Asteikko	17	Pieni tanko
4	Aukko	11	Syöttökynsi	18	Tyhjennyshana
5	Nokkasovitin	12	Ilma-aukon liitin	19	Ilmansuodatin
6	Ovi	13	Ilma-aukon hylsy	20	Voitelulaite
7	Salpavipu	14	Liipaisin	21	Pneumaattinen öljy

**TEKNISET TIEDOT**

Malli	AN902
Ilmanpaine	0,49 – 0,83 MPa (4,9 – 8,3 bar)
Naulan pituus	Lankakiinnitetty rullanaula 45 mm – 90 mm
Naulamäärä	150 – 300 kpl
Letkun pienin läpimitta	6,5 mm
Pneumaattinen koneöljy	Turbiiniöljy
Mitat (P x L x K)	318 mm x 128 mm x 378 mm
Nettopaino	3,5 kg

- Jatkuvan tutkimus- ja kehitysohjelman vuoksi pidämme oikeuden muuttaa tässä mainittuja teknisiä ominaisuuksia ilman ennakoilmoitusta.
- Tekniset ominaisuudet saattavat vaihdella eri maissa.
- Paino EPTA-menetelmän 01/2003 mukaan

ENE059-1

**Käyttötarkoitus**

Työkalu on tarkoitettu alustaviin sisältöihin kuten lattia-palkkien tai kattoparrujen kiinnitykseen ja 2 x 4-runkojen tekemiseen.

ENB090-4

**TÄRKEITÄ TURVAOHJEITA**

**VAROITUS: KONETTA KÄYTETTÄESSÄ ON LOUKKAANTUMISVAARAN VÄHENTÄMISEKSI AINA NOUDATETTAVA MUUN MUASSA SEURAAVIA PERUSTAVIA TURVAOHJEITA:**

**LUE KAIKKI OHJEET.**

- Lue tämä ohjekirja ennen koneen käyttöä, jotta osaat käyttää sitä turvallisesti ja oikein sekä pitää sen kunnossa.
- Pida aina turvalaseja, jotka suojaavat silmiä pölyltä tai naulojen aiheuttamalta onnettomuudelta.
- VAROITUS:** Työnantajalla on velvollisuus pakottaa työkalun käyttäjät ja työpaikan välittömässä läheisyydessä olevat henkilöt käyttämään silmiä suojaavia turvalaitteita.
- Suojaaja korvat melulta kuulosuojaimilla ja käytä päänsuojusta. Käytä kevyttä, vartalonmyötäistä vaateetusta. Hihat tulee napittaa tai kääriä ylös. Älä käytä solmiota.
- Kiirehtiminen ja koneen pakottaminen on vaarallista. Käsittele konetta varoen. Älä työskentele alkoholin, lääkkeiden tai vastaavan vaikutuksen alaisena.

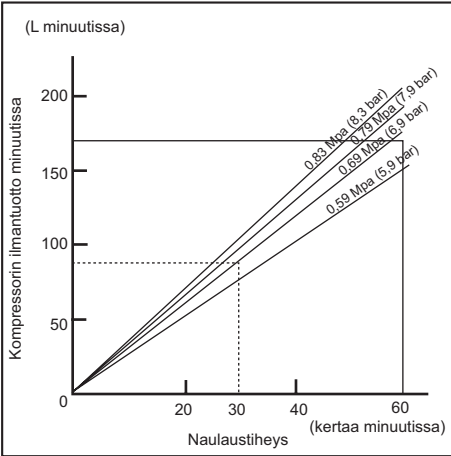
- Yleiset koneen käyttöä koskevat ohjeet:
  - Oleta aina, että kone on ladattu nauloilla.
  - Älä osoita koneella itseäsi äläkä ketään muuta riippumatta siitä, onko se ladattu nauloilla vai ei.
  - Älä laukaise konetta, ellei sitä ole asetettu tiukasti työkaluun vasten.
  - Suhtaudu työkaluun sen edellyttämällä kunnioituksella.
  - Älä pilaile koneella.
  - Älä pitele äläkä kanna konetta sormi liipaisimella.
  - Älä lataa konetta nauloilla, kun jokin ohjaimista on aktivoituna.
  - Älä käytä konetta muulla kuin koneen käyttö-/turvaohjeissa mainitulla voimanlähteellä.
- Älä käytä virheellisesti toimivaa konetta.
- Konetta käytettäessä saattaa lentää kipinöitä. Älä käytä työkalua haihtuvien tai syttyvien materiaalien kuten bensiinin, tinnerin, maalin, kaasun, liimojen tms. läheisyydessä. Ne saattavat syttyä ja räjähtää ja aiheuttaa vakavia vammoja.
- Alueen tulee olla riittävästi valaistu, jotta työskentely on turvallista. Alueen tulee olla siisti ja roskaton. Huolehdi erityisesti tukevasta jalansijasta ja tasapainosta.
- Vain työhön osallistuvat saavat olla lähettyvillä. Lapset tulee aina pitää loitolla.
- Paikalliset määräykset saattavat rajoittaa melutasoa, jolloin melu on pidettävä näiden rajoitusten mukaisena. Joissain tapauksissa melua on rajoitettava melus-teillä.
- Älä leiki kosketuselementillä: se estää tahattoman laukaisun, joten se on pidettävä päällä eikä sitä saa irrottaa. Liipaisimen lukitseminen ON-asentoon on myös hyvin vaarallista. Älä koskaan yritä lukita liipaisinta. Älä käytä konetta, jos jokin sen ohjaimista ei toimi, ei ole kytketty, sitä on muutettu tai ei toimi moitteettomasti.

- Työkalua tulee käyttää määritetyllä ilmanpaineella 0,49 – 0,83 MPa (4,9 – 8,3 bar) turvallisuuden sekä käyttöiän vuoksi. Älä ylitä suositeltua suurinta käyttöpainetta 0,83 MPa (8,3 bar). Työkalua ei saa kytkä lähteeseen, jonka paine voi ylittää 1,37 MPa (13,7 bar).
- Varmista, että paineilmajärjestelmän tuottama paine ei ylitä nauilaimelle sallittua suurinta painetta. Aseta ilmanpaine aluksi alemmalle tasolle kuin suositusten mukainen sallittu ilmanpaine (katso TEKNISET TIE-DOT).
- Älä koskaan käytä konetta muulla kuin paineilmallalla. Jos tämän koneen voimanlähteenä käytetään pulloitettua kaasua (hiilidioksidia, happea, typpeä, vetyä, ilmaa tms.) tai palavaa kaasua (vetyä, propaania, asetyyleenia tms.), kone räjähtää ja aiheuttaa vakavan loukkaantumisen.
- Tarkista aina ennen työskentelyä koneen yleinen kunto ja löysät ruuvit. Kiristä tarvittaessa.
- Varmista ennen käyttöä, että kaikki turvajärjestelmät toimivat. Kone ei saa laueita pelkällä liipaisimen painaluksella tai pelkästään siitä, että kosketusvarsi painetaan puuta vasten. Sen tulee toimia vain tehtäessä molemman toimet. Testaa mahdollinen virhe toiminto ilman nauloja sysäimen ollessa kokonaan takana.
- Tarkista seinät, katot, lattiat, kattorakenteet ja vastaavat huolella välttääksesi sähköjohtoon, kanavaan tai kaasuputkeen osumisen aiheuttaman sähköiskun, kaasuvuodon, räjähdysksen tms.
- Käytä vain tässä ohjekirjassa määritettyjä nauloja. Kaikkien muiden naulojen käyttäminen voi saattaa koneen epäkuntoon.
- Älä koskaan käytä nauainta seuraavanlaisiin erityistöihin, joissa on merkintä "Älä käytä telineillä, tikkailla" esimerkiksi:
  - jos käyttöpaikan vaihtaminen edellyttää telineiden, portaiden, tikkaiden tai vastaavien rakennelmien kuten kattorimoituksen käyttöä,
  - laatikoiden tai häkkien sulkeminen,
  - kuljetuksenaikaisten turvajärjestelmien kiinnittämisen esim. ajoneuvoihin tai vaunuihin.
- Älä salli koneen käyttöön perehtymättömien käyttää konetta.
- Varmista ennen naulaamista, ettei lähellä ole ketään. Älä koskaan naualaa samaan aikaan sekä sisä- että ulkopuolelta. Naulat voivat tunkeutua läpi ja/tai kimota ja aiheuttaa vakavia vaaratilanteita.
- Huolehdi jalansijasta ja säilytä tasapaino käsitellessäsi konetta. Varmista, ettei allasi ole ketään, kun työskentelet korkeissa paikoissa. Kiinnitä ilmaletku välttääksesi vaaran, joka voi aiheutua äkillisestä nykyisestä tai takertumisesta.
- Naulaa edeten katolla ja muissa korkeissa paikoissa. Jalansijan menettäminen on helppoa, jos naulaat peruuttamalla. Kun naulaat kohtisuoraa pintaa vasten, naualaa edeten ylhäältä alas. Naulaaminen on vähemmän väsyttävää, kun naulaat näin.
- Naula vääntyy tai kone jumittuu, jos naulaat erehdyksessä toisen naulan päälle tai osut puun oksankohtaan. Naula voi sinkoutua ja osua johonkuhun, tai kone itse voi reagoida vaarallisesti. Sijoita naulat huolellisesti.
- Älä jätä ladattua konetta tai paineistettua ilmapompuria pitkäksi aikaa auringonpaisteeseen. Varmista, että pöly, hiekka, lastut ja vieraat aineet eivät pääse koneeseen paikassa, johon lasket sen.
- Älä osoita ulostuloaukkoa kehenkään lähellä olevaan. Pidä kädet ja jalat etäällä ulostuloaukon tuntumasta.
- Kun ilmaletku on kytketty, älä kannu konetta sormi liipaisimella äläkä ojenna sitä kellekään tässä tilassa. Tahaton laukaisu voi olla hyvin vaarallista.
- Käsittele konetta varovasti, koska sen sisällä oleva korkea paine voi olla vaaraksi, jos kovakourainen käsittely (pudottaminen tai iskeminen) rikkoo kuoren. Älä tee koneeseen kaiverruksia.
- Lopeta naulaaminen välittömästi, jos havaitset koneessa jotain vikaa tai tavallisesta poikkeavaa.
- Irrota aina ilmaletku ja kaikki naulat:
  1. koneen ollessa vartioimatta.
  2. ennen kunnossapito- ja korjaustöitä.
  3. ennen tukoksen selvittämistä.
  4. ennen koneen siirtämistä uuteen paikkaan.
- Tee puhdistus- ja kunnossapitotyöt heti työn päättämisen jälkeen. Pidä kone huippukunnossa. Voitele liikkuvat osat estääksesi ruostumisen ja minimooidaksesi kitkasta johtuvan kulumisen. Pyyhi pois kaikki liika osista.
- Älä tee koneeseen muutoksia ilman Makitan lupaa.
- Huollata kone säännöllisesti Makitan valtuuttamassa huoltoliikkeessä.
- Tuotteen TURVALLISUUDEN ja LUOTETTAVUUDEN takaamiseksi kunnossapito ja korjaukset tulee teettää Makitan valtuutetussa huoltopisteessä Makitan varosia käyttäen.
- Käytä vain tässä ohjekirjassa ilmoitettua, paineilmalaitteisiin tarkoitettua koneöljyä.
- Älä koskaan kytkä työkalua paineilmalinjaan, jonka ilmanpaine voi ylittää työkalulle sopivan, TEKNISET TIEDOT -taulukossa ilmoitetun ilmanpainealueen 10%-lla.
- Paineilmakäyttöistä nauainta saa käyttää vain alhaisimmalla kulloisenkin työn vaatimalla paineella, jotta vältetään tarpeettoman korkeat melutasot, lisääntynyt kuluminen ja siitä aiheutuvat viat.
- Älä yritä lukita karkivarmistinta teipillä tai rautalangalla. Seurauksena voi olla kuolema tai vakava vammautumisen.
- Tarkista karkivarmistin tässä ohjekirjassa neuvotulla tavalla. Naulain saattaa lauetta vahingossa, jos turvamekanismi ei toimi moitteetta.

## SÄILYTÄ NÄMÄ OHJEET.

## ASENNUS

### Kompressorin valinta



Ilmakompressorin on oltava yhteensopiva EN60335-2-34. vaatimusten kanssa.

Valitse kustannustehokkaan käytön varmistamiseksi kompressorin, jossa on riittävä paine ja ilmantuotto. Kaavio näyttää naulausnopeuden, käytettävän paineen ja kompressorin ilmantuoton väliset suhteet.

Jos naulausnopeus on esimerkiksi noin 30 naulaa minuutissa ja paine 0,69 MPa (6,9 bar), tarvitaan kompressorin, jonka ilmantuotto on yli 80 L/min.

Ilmanpaine tulee rajoittaa paineensäätimellä työkalun nimellispaineelle, jos ilman tulopaine ylittää työkalun nimellispaineen. Jos et toimi näin, voi seurauksena olla käyttäjän tai ympärillä olevien vakava loukkaantuminen.

### Ilmaletkun valinta (Kuva 1)

Käytä mahdollisimman suurta ja lyhyttä ilmaletkua, jotta naulaus olisi jatkuvasti tehokasta. Ilmanpaineen ollessa 0,49 MPa (4,9 bar), suosittelemme sisähalkaisijaltaan 6,5 mm ja pituudeltaan alle 20 m ilmaletkua, kun naulausväli on 0,5 sekuntia. Ilmaletkujen vähimmäistyöpainearvon tulee olla 1,03 MPa (10,3 bar) tai 150 prosenttia järjestelmän tuottamasta enimmäispaineesta sen mukaan, kumpi on korkeampi.

#### VARO:

- Naulaustiheyden suhteutettuna pieni kompressorin ilmantuotto ja pitkä tai pieni ilmaletku voi heikentää työkalun iskutehoa.

### Voitelu

Jotta työkalun teho pysyisi mahdollisimman hyvänä, asenna ilmasarja (voitelulaite, paineensäädin ja ilmasuodatin) mahdollisimman lähelle työkalua. Säädä voitelulaite siten, että 30:tä naulaa kohden tulee yksi öljypisara. (Kuva 2)

Kun ilmasarjaa ei käytetä, voitele kone pneumaattisella koneöljyllä laittamalla ilma-aukon liittimeen kahdesta kolmeen pisaraa öljyä. Tämä tulee tehdä ennen käyttöä ja sen jälkeen. Jotta voitelu leviäisi kunnolla, työkalulla pitää ampua muutama kerta pneumaattisen koneöljyn lisäämisen jälkeen. (Kuva 3)

## TOIMINTAKUVAUS

#### VARO:

- Irrota paineilemätku aina ennen säätöjen tekemistä ja työkalun toiminnan tarkastamista.

### Naulaussyvyyden säätö (Kuva 4)

Naulaussyvyys säädetään kääntämällä säädintä. Naulaussyvyys on syvin, kun säädin on käännetty täysin suuntaan A kuten kuvassa. Se muuttuu matalammaksi, kun säädintä käännetään suuntaan B. Lisää ilmanpainetta, jos naula ei mene tarpeeksi syväälle, vaikka säädin on käännetty täysin suuntaan A. Vähennä ilmanpainetta, jos naula menee liian syväälle, vaikka säädin on käännetty täysin suuntaan B. Yleisesti ottaen koneen käyttöikä on sitä pidempi, mitä alemmalla ilmanpainella ja matalampaa naulaussyvyyttä käytetään.

#### VARO:

- Lukitse aina liipaisin ja irrota letku ennen naulaussyvyyden säätämistä.

### Käytä nokkasovitinta (kuva 5)

#### VARO:

- Irrota letku aina ennen nokkasovitinten asentamista tai irrottamista.

Jos haluat suojella työkappaleen pintaa, kiinnitä kosketuselementin nokkasovitinta.

Kun naulataan työkappaleita, joiden pinnat vahingoittuvat helposti, käytä nokkasovitinta. Kun haluat kiinnittää nokkasovitinten kosketuselementtiin, paina sitä kosketuselementtiin, kunnes kolme nokkasovitinten sisällä olevaa ulkonemaa menevät kosketuselementin kolmeen reikään.

## KOKOONPANO

#### VARO:

- Irrota aina ilmaletku, ennen kuin teet mitään toimenpiteitä työkalulle.

### Naulaimen lataaminen

Valitse työlle sopivat naulat. Paina salpavipua ja avaa ovi. Avaa sitten lippaan kansi. (Kuva 6)

Nosta ja kierrä rullan tukilevyä siten, että naulan koon osoittava nuoli rullan tukilevyllä osoittaa vastaavaan astelisyäkseen, joka on merkitty kasettiin. Jos työkalua käytetään siten, että kelan tukilevy on asetettu väärään portaaseen, se saattaa aiheuttaa huonoa naulansyöttöä tai työkalun häiriön. (Kuva 7)

Aseta naularulla tukilevyn päälle. Avaa rullaa sen verran, että se ulottuu syöttökynteen. Aseta ensimmäinen naula ohjainkanavaan ja toinen naula syöttökynteen. Aseta muut auki rullaamattomat naulat syöttölaiteen rungon päälle. Sulje lippaan kansi, kun olet varmistanut, että naularulla on asetettu lippaanseen oikein. (Kuva 8)

### Ilmaletkun kiinnitys (Kuva 9)

Sujauta ilma-aukon hylsy naulaimen ilma-aukon liittimeen. Varmista, että hylsy lukittuu tiukasti paikalleen, kun kiinnität sen ilma-aukon liittimeen. Koneeseen tai sen lähelle on asennettava letkunliitin siten, että paine purkautuu, kun ilmasyötön liitin irrotetaan.



## KÄYTTÖ

### ⚠️VARO:

- Varmista ennen käyttöä, että kaikki turvajärjestelmät toimivat.

### Jatkuva naulaustila

Käännä kytkin asentoon **III** samalla, kun painat kytkimen toisella puolella olevaa painiketta. **(Kuvat 10 ja 11)**

1. Kun haluat kiinnittää naulan, voit joko asettaa kosketuselementin työkappaletta vasten ja painaa liipaisinta.
  2. Paina ensin liipaisinta ja sitten aseta kosketuselementti työkappaletta vasten.
- Menetelmä 1 on jaksottaista naulausta varten, kun halutaan kiinnittää naula varovasti ja erittäin tarkasti. Menetelmä 2 on jatkuvaa naulausta varten.

### ⚠️VARO:

- Työkalun käyttö ilman nauloja lyhentää sen käyttöikää ja sitä tulee välttää.

### Sekvenssitila (jaksottainen naulaustila) (kuva 12)

Käännä kytkin asentoon **I** samalla, kun painat kytkimen toisella puolella olevaa painiketta.

Kun haluat kiinnittää naulan, voit joko asettaa kosketuselementin työkappaletta vasten ja painaa liipaisinta.

### ⚠️VARO:

- **KUN LIIPAISIN ON PUOLIKSI PAINETTUNA**, naula voi lauaeta yllättäen, jos kosketuselementin annetaan koskettaa uudelleen työkappaletta tai muuta pintaa rekyyliin vaikutuksessa. Toimi seuraavasti välttääksesi tämän yllättävän naulan laukeamisen;
  - A. Älä aseta kosketuselementtiä liian voimakkaasti työkappaletta vasten.
  - B. Paina liipaisin pohjaan ja pidä se paikallaan 1 – 2 sekuntia naulauksen jälkeen.
- Työkalun käyttö ilman nauloja lyhentää sen käyttöikää ja sitä tulee välttää.

### Tukkeutunut naulain (kuva 13)

### ⚠️VARO:

- Kytke aina ilmaletku irti ja poista naulat kasetista ennen tukkeutumisen siivousta.

Kun naulain tukkeutuu, toimi seuraavasti:

Avaa lippaan kansi ja poista naulakela. Työnnä pieni tanko tai vastaava ulostuloaukkoon ja napauta sitä vasaralla, jotta juuttuvat naulat ajautuisivat pois ulostuloaukosta. Aseta naulakela takaisin ja sulje lippaan kansi.

### Naulat

Käsittele naulavöitä ja niiden laatikoita varovasti. Jos naularullaa käsitellään kovakouraisesti, ne voivat vääntyä tai niiden liitokset rikkoutua, mikä aiheuttaa heikon naulasyötön. **(kuva 14)**

Älä säilytä nauloja erittäin kosteissa tai kuumissa tiloissa äläkä suorassa auringonvalossa. **(kuva 15)**

## HUOLTO

### ⚠️VARO:

- Irrota aina ilmaletku työkalusta ennen tarkastus- tai kunnossapitotoimien suorittamista.
- Älä koskaan käytä bensiiniä, bentseeniä, tinneriä, alkoholia tai vastaavaa. Seurauksena voi olla värinmuutoksia, muodonmuutoksia tai murtumia.

## Naulaimen kunnossapito

Tarkista aina ennen työskentelyä koneen yleinen kunto ja löysät ruuvit. Kiristä tarvittaessa. **(kuva 16)**

Kun työkalu on irrotettu, tarkasta päivittäin kosketuselementin ja liipaisimen vapaa liikkuvuus. Älä käytä työkalua, jos kosketuselementti tai liipaisin juuttuu kiinni tai takertelee. **(kuva 17)**

Jos työkalua ei käytetä pitkään aikaan, voitele se pneumaattisella koneöljyllä ja säilytä konetta turvallisessa paikassa. Älä altista konetta suoralle auringonvalolle äläkä kosteille tai kuumille oloille. **(Kuvat 18 ja 19)**

## Kompressorin, ilmasarjan ja ilmaletkun kunnossapito

Tyhjennä kompressorin säiliö ja ilmansuodatin aina käytön jälkeen. Jos koneeseen pääsee kosteutta, voi seurauksena olla huono toimivuus ja koneen mahdollinen rikkoutuminen. **(kuva 20 ja 21)**

Tarkista säännöllisesti, että ilmasarjan voitelulaitteessa on riittävästi pneumaattista öljyä. Riittämätön voitelu aiheuttaa O-renkaiden nopean kulumisen. **(kuva 22)**

Pidä ilmaletku loitolla kuumuudesta (yli 60°C) ja kemikaaleista (tinneri, voimakkaat hapot ja emäkset). Ohjaa letku pois esteistä, joihin se voi tarttua vaarallisesti työskentelyn aikana. Letku on aina ohjattava pois terävistä kulmista ja alueilta, joissa letku on vaarassa rikkoutua tai hankautua. **(kuva 23)**

Tuotteen TURVALLISUUDEN ja LUOTETTAVUUDEN takaamiseksi korjaukset, muut huoltotyöt ja säädöt on teetettävä Makitan valtuutetussa huoltopisteessä Makitan varaosia käyttäen.

## LISÄVARUSTEET

### ⚠️VARO:

- Seuraavia lisävarusteita tai laitteita suositellaan käytettäväksi tässä ohjeessa kuvatun Makita-työkalun kanssa. Muiden lisävarusteiden tai laitteiden käyttö voi aiheuttaa vammaturmusriskin. Käytä lisävarustetta tai laitetta vain ilmoitettuun käyttötarkoitukseen.

Jos tarvitset lisätietoja näistä lisävarusteista, ota yhteys paikalliseen Makita-huoltopisteeseen.

- Naulat
- Ilmaletkut
- Suojalasit

### HUOMAA:

- Eräät luettelon nimikkeet voivat sisältyä työkalupakkaukseen vakiovarusteina. Ne saattavat vaihdella eri maissa.

ENG905-1

## Melutaso

Tyypillinen A-painotettu melutaso normin EN792 mukaan on:

Äänenpainetaso ( $L_{pA}$ ): 98,3 dB (A)

Äänen tehotaso ( $L_{WA}$ ): 98,9 dB (A)

Epävarmuus (K): 2,5 dB (A)

**Käytä kuulosuojaimia**

ENG904-2

## Tärinä

Tärinän kokonaisarvo normin EN792 on:

Tärinäsaateily ( $a_{h1}$ ): 2,52 m/s<sup>2</sup>

Epävarmuus (K): 1,26 m/s<sup>2</sup>

- Ilmoitettu tärinäpäästöarvo on mitattu vakiotestimenetelmän mukaan, ja sitä voidaan käyttää työkalujen vertailuun keskenään.
- Ilmoitettua tärinäpäästöarvoa voidaan käyttää myös alitustumisen alustavan arviointiin.

**⚠ VAROITUS:**

- Työkalun käytönaikainen tärinäpäästö voi poiketa ilmoitetusta päästöarvosta työkalun käyttötavan mukaan.
- Muista tutustua käyttäjän suojelemiseen tarkoitettuihin turvallisuustoimenpiteisiin, jotka perustuvat todellisiin käyttöolosuhteisiin (ottaen huomioon kaikki toimintajakson osat, kuten työkalun sammuttaminen ja sen käynti joutokäynnillä, liipaisuajan lisäksi).

ENH101-15

**Vain Euroopan maat**

**EC-yhdenmukaisuusjulistus**

**Makita Corporation julistaa vastuullisen valmistajan ominaisuudessa, että seuraava/seuraavat Makita-kone/-koneet:**

Koneen nimi: Rakennusrullanaulain

Mallinnumero/tyyppi: AN902

ovat sarjatuotteita ja

**Yhdenmukainen seuraavien eurooppalaisten direktiivien kanssa:**

2006/42/EC

Ja ne on valmistettu seuraavien standardien tai standardoitujen asiakirjojen mukaisesti:

EN792

Teknillisestä asiakirjoilla todistamisesta vastaa valtuuttamamme edustaja Euroopassa, joka on:

Makita International Europe Ltd.

Michigan Drive, Tongwell,

Milton Keynes, Bucks MK15 8JD, England

29.3.2011



Tomoyasu Kato

Johtaja

Makita Corporation

3-11-8, Sumiyoshi-cho,

Anjo, Aichi, 446-8502, JAPAN

**Kopskata skaidrojums**

1 Pneimatisko darbarīku eļļa	8 Aptveres vāciņš	15 Regulēšanas svira
2 Regulētājs	9 Spoles atbalsta plāksne	16 Āmurs
3 Izcilnis	10 Gradācija	17 Mazs stienītis
4 Caurums	11 Padeves skava	18 Iztecināšanas krāns
5 Gala adapters	12 Gaisa savienotājdāja	19 Gaisa filtrs
6 Durtiņas	13 Gaisa galatslēga	20 Eļļotājs
7 Slēgsvira	14 Mēlīte	21 Pneimatiskā eļļa

**TEHNISKIE DATI**

Modelis	AN902
Gaisa spiediens	0,49 – 0,83 MPa (4,9 – 8,3 bāri)
Naglu garums	Stieplu spoles nagla 45 mm – 90 mm
Naglu ietilpība	150 – 300 gab.
Min. šļūtenes diametrs	6,5 mm
Pneimatisko darbarīku eļļa	Turbīnas eļļa
Gabarīti (G x P x A)	318 mm x 128 mm x 378 mm
Neto svars	3,5 kg

- Tā kā nemitīgi īstenojam savu pētniecības un attīstības programmu, šeit norādītie tehniskie dati var tikt mainīti bez iepriekšēja brīdinājuma.
- Tehniskie dati dažādās valstīs var būt atšķirīgi.
- Svārs atbilstīgi EPTA-Procedure 01/2003

ENE059-1

**Paredzētā lietošana**

Šis darbarīks ir paredzēts sagatavošanas iekšdarbiem, piemēram, griestu siju vai jumta spāru stiprināšanai, un 2" x 4" konstrukcijas karkasa veidošanai.

ENB090-4

**SVARĪGI NORĀDĪJUMI PAR DROŠĪBU**

**BRĪDINĀJUMS! LAI SAMAZINĀTU IEVAINOJUMA RISKU, IZMANTOJOT ŠO DARBARĪKU, VIENMĒR IEVĒROJIET GALVENOS NORĀDĪJUMUS PAR DROŠĪBU, TOSTARP ŠEIT MINĒTOS:**

**IZLASIET VISUS NORĀDĪJUMUS.**

- Lai nodrošinātu personīgo drošību un darbarīka pareizu darbību un apkopi, pirms darbarīka lietošanas izlasiet šo lietošanas rokasgrāmatu.
- Lai putekļi vai naglas neievainotu acis, vienmēr valkājiet aizsargbrilles.
- **BRĪDINĀJUMS!**  
Darba devēja pienākums ir pieprasīt darbarīka lietotājam un citām personām tiešā darba vietas tuvumā valkāt acu aizsargus.
- Valkājiet ausu aizsargus, lai aizsargātu ausis no darba trokšņa, un galvas aizsargus. Tāpat valkājiet vieglu, bet ne vaļīgu apģērbu. Aizpogājiet vai uzlokiet piedurknes. Nevalkājiet kaklasaiti.
- Darba steidzināšana vai darbarīka lietošana ar spēku ir bīstama. Rīkojieties ar darbarīku uzmanīgi. Nelietojiet darbarīku alkohola, narkotiku vai citu apreibinošu vielu ietekmē.
- Vispārīgas darbarīka lietošanas pamatnorādes:
  1. Vienmēr pieļaujiet iespēju, ka darbarīkā varētu atrasties naglas;

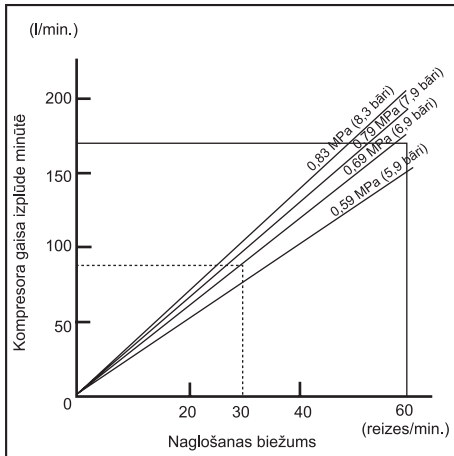
2. Nevērsiet darbarīku pret sevi un citiem neatkarīgi no tā, vai darbarīkā ir naglas vai ne;
  3. Darbarīku nedrīkst iedarbināt, kamēr tas nav cieši novietots pret apstrādājamo materiālu;
  4. Izturieties pret darbarīku kā pret darba instrumentu;
  5. Neizmantojiet to izklaidei;
  6. Darbarīku nedrīkst pārnēsāt, turot pirkstu uz mēlītes;
  7. Darbarīkā nedrīkst ievietot naglas, ja ir aktivizēta kāda no vadības ierīcēm;
  8. Darbarīku drīkst pievienot tikai tādam strāvas avotam, kāds norādīts darbarīka lietošanas/drošības norādījumos.
- Nedrīkst ekspluatēt darbarīku, kas nedarbojas pareizi.
  - Lietojot darbarīku, dažkārt rodas dzirksteles. Nelietojiet darbarīku tādu gaistošu, viegli uzliesmojošu vielu tuvumā kā benzīns, šķīdinātājs, krāsa, gāze, līme u.c., jo tās var aizdedzies un uzsprāgt, izraisot smagu ievainojumu.
  - Lai darbu varētu veikt droši, darba vietai jābūt pietiekami spilgti apgaismotai. Darba vietai jābūt sakārtotai un tīrai. Īpaši svarīgi ir nodrošināt stabilu pamatu zem kājām un saglabāt līdzsvaru.
  - Darba vietas tuvumā drīkst atrasties tikai tās personas, kas ir iesaistītas darbā. Īpaši uzmaniet, lai darba vietas tuvumā neatrastos bērni.
  - Ja ir spēkā vietējie normatīvie akti, kas regulē troksni, tie ir jāievēro, un trokšņa līmenis jāsauglabā noteiktajās robežās. Atsevišķos gadījumos jāizmanto aizvērtni, lai troksnis neizplatītos.
  - Nespēlējieties ar saskarelementu — tas novērs nejausu izlādēšanos, tāpēc tam jābūt savā vietā un to nedrīkst noņemt. Ļoti bīstami ir arī nostiprināt mēlīti ieslēgtā stāvoklī (ON). Nekad nenostipriniet mēlīti. Nestrādājiet ar darbarīku, ja kāda no darbarīka vadības ierīcēm nedarbojas, ir atvienojusies, ir pārveidota vai nedarbojas pareizi.

- Lai garantētu drošību un ilgāku darbarīka ekspluatācijas laiku, strādājiet ar darbarīku norādītajā gaisa spiediena amplitūdā, t.i., 0,49 – 0,83 MPa (4,9 – 8,3 bāri). Nepārsniedziet ieteikto maksimālo darba spiedienu, kas ir 0,83 MPa (8,3 bāri). Darbarīku nedrīkst pievienot avotam, kura spiediens var pārsniegt 1,37 MPa (13,7 bārus).
- Spiediens, ko nodrošina saspīestā gaisa sistēma, nedrīkst pārsniegt naglu iedzišanas darbarīkam noteikto maksimāli pieļaujamo spiedienu. Sākumā gaisa spiedienu iestatiet uz ieteiktā pieļaujamā spiediena zemāko vērtību (sk. „TEHNISKIE DATI”).
- Darbarīku drīkst ekspluatēt tikai ar saspīestu gaisu. Ja šim darbarīkam kā enerģijas avotu izmantos balonu gāzi (ogļskābe gāzi, skābekli, slāpekli, ūdeņradi, gaisu, u.c.) vai degošu gāzi (ūdeņradi, propānu, acetilēnu u.c.), darbarīks uzspēns un izraisīs smagu ievainojumu.
- Pirms ekspluatācijas vienmēr pārbaudiet darbarīka vispārējo stāvokli un to, vai skrūves nav atskrūvējušās. Pieskrūvējiet tās, ja vajadzīgs.
- Pirms ekspluatācijas pārbaudiet, vai visas drošības sistēmas ir darba kārtībā. Darbarīks nedrīkst darboties, ja tikai mēlīte ir nospiesta vai ja tikai saskarelements ir piespiests pie kokmateriāla. Tam jādarbojas tikai tad, ja tiek veiktas abas funkcijas. Vispirms izņemiet naglas un atvelciet bīdņi līdz galam, tikai tad pārbaudiet, vai darbarīks darbojas bez kļūmēm.
- Rūpīgi pārbaudiet sienas, griestus, grīdas un tamlīdzīgas vietas, lai neizraisītu iespējamu elektriskās strāvas triecienu, gāzes noplūdi, sprādzienu utt., nejauši aizķerot vadus, cauruļvadus vai gāzes caurules, kas atrodas zem sprieguma.
- Izmantojiet tikai tādas naglas, kas norādītas šajā rokasgrāmatā. Lietojot citu veidu naglas, darbarīks var nepareizi darboties.
- Naglu iedzišanas darbarīkus, kuriem ir šāds apzīmējums: „Nelietojiet darbarīku, stāvot uz sastatnēm vai kāpnēm.”, nedrīkst izmantot noteiktos gadījumos, piemēram:
  - ja, pārvietojoties no vienas naglu iedzišanas vietas uz citu, ir jāizmanto sastatnes, trepes, kāpnes vai kāpnēm līdzīgas konstrukcijas, piemēram, jumta lats;
  - lai noslēgtu kastes vai režģus;
  - lai ierīkotu pārvadāšanas drošības sistēmas, piemēram, transporta līdzekļos vai vagonos.
- Neļaujiet darbarīku izmantot neapmācītām personām.
- Pirms naglu dzīšanas pārliecinieties, vai neviena neatrodas tuvumā. Nekādā gadījumā nedzeniet naglas vienlaicīgi gan no iekšpuses, gan ārpusē. Naglas var izspiesties cauri materiālam un/vai atlekt nost, radot apdraudējumu dzīvībai.
- Strādājot ar darbarīku, vienmēr stāviet uz stingras pamatnes un saglabājiet līdzsvaru. Ja lietojat darbarīku augstumā, pārliecinieties, vai apakšā neviena nav, un piestipriniet gaisa šļūteni, lai novērstu apdraudējumu, kas rodas negaidīta grūdienu vai iestrēgšanas gadījumā.
- Atrodoties uz jumta vai citās augstās vietās, naglas jāden, pamazām virzoties uz priekšu. Naglojot un virzoties atpakaļgaitā, var viegli pazaudēt pamatu zem kājām. Ja dzenat naglas vertikālā virsmā, sāciet no augšpuses un pamazām virzieties lejup. Dzenot naglas, šādā veidā, iespējams mazāk nogurt.
- Nejauši iedzenot naglu virs citas naglas var trāpot pa koka zaru, nagla var saliekties vai darbarīks var iesprūst. Ja nagla tiek ar spēku izgrūsta gaisā, tā var kādam trāpīt, vai arī darbarīks var jūs ievainot. Naglas dzeniet uzmanīgi.
- Pielādētu darbarīku vai gaisa kompresoru, kurā ir spiediens, ilgstoši nepakļaujiet saules staru iedarbībai. Darbarīks jānovieto un jāglabā tādā vietā, kur tajā nevar iekļūt putekļi, smiltis, skaidas un citi svešķermeņi.
- Nevērsiet izgrūšanas atveri pret tuvumā esošām personām. Netuviniet rokas un kājas izgrūšanas atverei.
- Ja ir pievienota gaisa šļūtene, darbarīku nedrīkst pārnēsāt vai padot citai personai, turot pirkstu uz darbarīka mēlītes. Nejauša iedarbināšana var būt ļoti bīstama.
- Ar darbarīku rīkojieties uzmanīgi, jo darbarīkā ir augsts spiediens, kas var kļūt bīstams, ja neuzmanīgas rīcības (nomešanas vai atsišanas) rezultātā rodas plaisas. Uz darbarīka virsmas neko nekaliel netieciniet.
- Nekavējoties pārtrauciet naglu dzīšanu, ja pamanāt, ka darbarīks nav kārtībā vai tas izskatās nepareizi.
- Vienmēr atvienojiet gaisa šļūteni un izņemiet visas naglas:
  1. Ja darbarīks netiek uzraudzīts;
  2. Pirms apkopes vai remonta veikšanas;
  3. Pirms iestrēgušas naglas izņemšanas;
  4. Pirms darbarīka pārvietošanas uz citu vietu.
- Uzreiz pēc darba pabeigšanas veiciet darbarīka tīrīšanu un apkopi. Uzturiet darbarīku vislabākajā kārtībā. Ielļojiet kustīgās daļas, lai novērstu rūsēšanu un mazinātu nodilumu, kas rodas berzes iedarbībā. Noslaukiet no darbarīka detaļām putekļus.
- Darbarīku nedrīkst pārveidot bez uzņēmuma Makita atļaujas.
- Vērsieties Makita pilnvarotajā apkopes centrā, lai darbarīkam regulāri veiktu pārbaudes.
- Lai saglabātu izstrādājuma DROŠU un UZTICAMU darbību, apkopi un remontdarbus uzticiet veikt tikai Makita pilnvarotajam apkopes centram, kurā izmanto tikai Makita rezerves daļas.
- Izmantojiet tikai tādu pneimatiskā darbarīka eļļu, kas norādīta šajā rokasgrāmatā.
- Darbarīku nedrīkst pievienot saspīestā gaisa vadam, ja gaisa spiediens var par 10% pārsniegt darbarīkam piemēroto gaisa spiedienu, kas minēts tabulā „TEHNISKIE DATI”.
- Stiprinājumu iedzišanas darbarīkiem, ko darbina ar saspīestu gaisu, jābūt iestatītam zemākajam spiedienam, kāds vajadzīgs darbam ar rokām, lai darbarīks neradītu pārlieku troksni, nenolietotos un netītu sabojāts.
- Neturiet mēlīti nospiestā stāvoklī vai saskarelementu piespiestu virsmai, nostiprinot ar lenti vai stiepli. Tādējādi var izraisīt nāvi vai smagu ievainojumu.
- Vienmēr pārbaudiet saskarelementu, kā norādīts šajā rokasgrāmatā. Ja drošības mehānisms nedarbojas pareizi, var tikt nejauši iedarbināta naglu dzīšanas funkcija.

## SAGLABĀJIET ŠOS NORĀDĪJUMUS.

## UZSTĀDĪŠANA

### Kompresora izvēle



Gaisa kompresoram jāatbilst EN60335-2-34 prasībām. Izvēlieties kompresoru ar pietiekami lielu spiedienu un gaisa izplūdi, lai ekspluatācija būtu ekonomiski izdevīga. Diagrammā ir attēlota sakarība starp naglošanas biežumu, pareizo spiedienu un kompresora gaisa izplūdi. Tādējādi, piemēram, ja naglošanas ātrums ir apmēram 30 reizes minūtē pie 0,69 MPa (6,9 bāru) lielas kompresijas, ir vajadzīgs kompresors ar gaisa izplūdi vairāk nekā 80 litri minūtē.

Gadījumā, ja gaisa padeves spiediens pārsniedz darbarīka nominālo spiedienu, jālieto spiediena regulētāji, lai gaisa spiedienu ierobežotu līdz darbarīka nominālajam spiedienam. Ja šo noteikumu neievēro, darbarīka lietotājs vai tuvumā esošās personas var gūt smagus ievainojumus.

### Gaisa šūtenes izvēle (1. att.)

Lietojiet pēc iespējas lielāku un īsāku gaisa šūteni, lai nodrošinātu nepārtrauktu un efektīvu naglošanas darbību. Ja gaisa spiediens ir 0,49 MPa (4,9 bāri), ieteicams lietot gaisa šūteni, kuras iekšējais diametrs ir lielāks nekā 6,5 mm un garums nepārsniedz 20 m, ja laika intervāls starp naglu iedzīšanu ir 0,5 sekundes. Gaisa padeves šūtenju minimālā darba spiediena jauda ir noteikta vai nu 1,03 MPa (10,3 bāri), vai arī 150 procenti no sistēmā sarazotā maksimālā spiediena — atkarībā no tā, kura vērtība ir lielāka.

### ⚠ UZMANĪBU!

- Ja kompresoram ir zems gaisa izplūdes spiediens vai arī ja šūtene ir gara vai ar mazāku diametru nekā vajadzīgs naglošanas biežumam, darbarīka naglošanas jauda ir mazāka.

### Eļļošana

Lai darba rezultāts būtu maksimāli kvalitatīvs, gaisa padeves mehānismu (eļļotāju, regulētāju, gaisa filtru) uzstādiat pēc iespējas tuvāk darbarīkam. Noregulējiet eļļotāju tā, lai ar vienu eļļas pilieni ieeļļotu 30 naglas. (2. att.)

Ja gaisa mehānismu nelietojat, darbarīku ieeļļojiet ar pneimatisko darbarīku eļļu, gaisa savienotājdalā iepilnot 2 (divus) vai 3 (trīs) pilienus. Tas jāveic pirms un pēc ekspluatācijas. Lai darbarīku pareizi ieeļļotu, tas jāiedarbina pāris reizes pēc tam, kad ieeļļots ar pneimatisko darbarīku eļļu. (3. att.)

### FUNKCIJU APRAKSTS

#### ⚠ UZMANĪBU!

- Pirms darbarīka regulēšanas vai tā funkciju pārbaudes vienmēr atvienojiet gaisa šūteni.

### Naglošanas dziļuma regulēšana (4. att.)

Lai noregulētu naglošanas dziļumu, pagrieziet regulētāju. Maksimālais naglošanas dziļums ir uzstādīts tad, ja regulētājs ir līdz galam pagriezts A virzienā, kā norādīts attēlā. Dziļumu var samazināt, regulētāju pagriežot B virzienā. Ja naglas nav iespējams iedzīt pietiekami dziļi pat tad, ja regulētājs ir līdz galam pagriezts A virzienā, palieliniet gaisa spiedienu. Ja naglas tiek iedzītas pārāk dziļi pat tad, ja regulētājs ir līdz galam pagriezts B virzienā, samaziniet gaisa spiedienu. Darbarīka ekspluatācijas laiks parasti ir ilgāks, ja to ekspluatē ar mazāku gaisa spiedienu un ja regulētājs ir iestatīts uz mazāko naglošanas dziļumu.

#### ⚠ UZMANĪBU!

- Pirms naglošanas dziļuma regulēšanas vienmēr nobloķējiet mēlīti un atvienojiet šūteni.

### Gala adaptera lietošana (5. att.)

#### ⚠ UZMANĪBU!

- Pirms gala adaptera pievienošanas un noņemšanas vienmēr ir jāatvieno šūtene.

Piestipriniet gala adapteru pie saskarelementa, ja vēlaties aizsargāt apstrādājamā materiāla virsmu.

Naglojot apstrādājamus materiālus, kuru virsmu var viegli sabojāt, izmantojiet gala adapteru. Gala adaptera piestiprināšana: iespiediet gala adapteru saskarelementā tā, lai gala adaptera trīs izcilņi būtu pilnībā iespiesti kontaktelelementa trīs caurumos.

## SALIKŠANA

### ⚠ UZMANĪBU!

- Pirms darbarīka salikšanas vienmēr atvienojiet gaisa šļūteni.

### Naglotāja pielādēšana

Izvēlieties konkrētajam darbam piemērotas naglas. Nospiediet slēgsviru un atveriet durstiņas. Pēc tam atveriet aptveres vāciņu. (6. att.)

Paceliet un pagrieziet spoles atbalsta plāksni, lai naglu izmēra bulta, kas redzama uz spoles atbalsta plāksnes, būtu vērsta pret attiecīgo gradācijas palielinājumu, kurš atzīmēts uz aptveres. Ja darbarīku darbināsi, spoles atbalsta plāksni uzstādot nepareizā gājienā, naglu padeve var būt nekalitatīva vai darbarīks var sabojāties. (7. att.)

Novietojiet naglu spoli uz spoles atbalsta plāksnes. Iziniēti tik daudz naglu, lai tās sasniegtu padeves skavu. Pirmo naglu ievietojiet naglošanas kanālā, bet otro — padeves skavā. Uz padevēja korpusa novietojiet pārējās neattītas naglas. Kad ir pārbaudīts, vai naglu spole aptverē ir ievietota pareizi, aizveriet aptveres vāciņu. (8. att.)

### Gaisa šļūtenes pievienošana (9. att.)

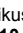
Gaisa galatslēgu uzmauciet uz naglotāja gaisa savienotājdaļas. Gaisa galatslēgai cieši jānofiksējas vietā, kad tā ir uzstādīta uz gaisa savienotājdaļas. Šļūtenes savienotājam jābūt uzstādītam uz darbarīka vai tam blakus tā, lai spiediena rezervuārs tiktu iztukšots, kad gaisa padeves savienotājs tiek atvienots.

## EKSPLUATĀCIJA

### ⚠ UZMANĪBU!

- Pirms ekspluatācijas pārbaudiet, vai visas drošības sistēmas ir darba kārtībā.

### Nepārtrauktas naglošanas režīms

Grieziet sviru līdz stāvoklim , vienlaikus turot nospieestu pogu, kas atrodas svirai otrā pusē (10. un 11. att.)

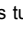
1. Lai iedzītu naglu, novietojiet saskarelementu pret apstrādājamo materiālu un pavelciet mēlīti.
2. Vai arī vispirms pavelciet mēlīti un pēc tam novietojiet saskarelementu pret apstrādājamo materiālu.

- 1. metode paredzēta atsevišķu naglu iedzīšanai, ja vēlaties darbu paveikt rūpīgi un ļoti precīzi. 2. metode ir paredzēta nepārtrauktai naglošanai.

### ⚠ UZMANĪBU!

- Nav ieteicams darbināt tukšu darbarīku, t.i., bez naglām, jo tādējādi saīsinās tā ekspluatācijas laiks.

### Secīgas darbības režīms (atsevišķu naglu iedzīšana) (12. att.)

Grieziet sviru līdz stāvoklim , vienlaikus turot nospieestu pogu, kas atrodas svirai otrā pusē.

Lai iedzītu naglu, novietojiet saskarelementu pret apstrādājamo materiālu un pavelciet mēlīti.

### ⚠ UZMANĪBU!

- JA MĒLĪTE TIEK TURĒTA LĪDZ PUSEI NOSPIESTĀ STĀVOKLĪ, darbarīks var negaidīti uzsākt naglošanu, ja atsitiena rezultātā saskarelements atkārtoti ir saskāries ar apstrādājamo materiālu vai citu virsmu. Lai neizraisītu šādu negaidītu naglošanas darbību, rīkojieties šādi:

- A. Nespiediet saskarelementu pārāk spēcīgi pret apstrādājamo materiālu;
- B. Pavelciet mēlīti līdž galam un turiet to šādi 1 – 2 sekundes pēc naglošanas.

- Nekādā gadījumā nav ieteicams darbināt šo darbarīku, ja tajā nav ievietotas naglas, jo tādējādi ievērojami samazinās tā ekspluatācijas laiks.

### Iestrēdzis naglotājs (13. att.)

### ⚠ UZMANĪBU!

- Pirms iestrēgušas naglas izņemšanas vienmēr atvienojiet gaisa šļūteni un no aptveres izņemiet naglas.

Ja naglotājs iestrēgst, rīkojieties šādi.

Atveriet aptveres vāciņu un izņemiet naglu spoli. Izgrūšanas atverē ievietojiet mazu stienīti vai ko tamlīdzīgu un ar āmuru uzsitiet pa to, lai no izgrūšanas atveres izstumtu iestrēgušo naglu. Ievietojiet atpakaļ naglu spoli un aizveriet aptveres vāciņu.

### Naglas

Rīkojieties ar naglu spolēm un to ieliktni uzmanīgi. Ja ar naglu spolēm rīkojas neuzmanīgi, tās var tikt saliektas vai to savienotājs sabojāts, rezultātā izraisot neprecīzu naglu padevi. (14. att.)

Neuzglabājiet naglas ļoti mitrā vai karstā vietā, kā arī tiešos saules staros. (15. att.)

## APKOPĒ

### ⚠ UZMANĪBU!

- Pirms darbarīka pārbaudes vai apkopes no darbarīka vienmēr atvienojiet gaisa šļūteni.
- Nekad nelietojiet benzīnu, šķīdinātāju, spirtu vai tamlīdzīgus līdzekļus. To ietekmē darbarīks var zaudēt krāsu, deformēties vai sprāpīst.

### Naglotāja apkope

Pirms ekspluatācijas vienmēr pārbaudiet darbarīka vispārējo stāvokli un to, vai skrūves nav atskrūvējušās. Pieskrūvējiet tās, ja vajadzīgs. (16. att.)

Kad darbarīks ir atvienots no barošanas avota, veiciet ikdienas pārbaudi, lai pārbaudītu saskarelementa un mēlītes brīvgājienu. Darbarīku nedrīkst lietot, ja saskarelements vai mēlīte sprūst vai iestrēgst. (17. att.) Ja darbarīku paredzēts neekspluatēt ilgāku laika posmu, ieeļļojiet to ar pneimatisko darbarīku eļļu un uzglabājiet drošā vietā. Nepakļaujiet to tiešiem saules stariem un/vai mitriem vai karstiem apstākļiem. (18. un 19. att.)

## Kompresora, gaisa mehānisma un gaisa šūtenes apkope

Pēc ekspluatācijas vienmēr iztukšojiet kompresora tvertni un gaisa filtru. Ja darbarīkā var iekļūt mitrums, darba rezultāts var būt slikts, kā arī darbarīks var sabojāties. **(20. un 21. att.)**

Regulāri pārbaudiet, vai gaisa mehānisma eļļotājā ir pietiekami daudz pneimatiskās eļļas. Ja darbarīks netiks pietiekami labi eļļots, apaļa šķērsriezuma gredzeni ļoti ātri nodils. **(22. att.)**

Gaisa šūteni netuviniet karstuma avotiem (virs 60°C), kā arī ķīmiskajām vielām (šķīdinātājiem, spēcīgām skābēm vai sārmēm). Novirziet šūteni arī tālāk no šķēršļiem, kurus ekspluatācijas laikā iespējams aizķert, tādējādi izraisot bīstamu situāciju. Tāpat šūtenes jānovirza tālāk no asām malām un tādām vietām, kur šūteni var sabojāt vai saskrāpēt. **(23. att.)**

Lai saglabātu izstrādājuma DROŠU un UZTICAMU darbību, apkopi, remontdarbus vai regulēšanu uzticiet veikt tikai Makita pilnvarotajam apkopes centram, kurā izmanto tikai Makita rezerves daļas.

## PAPILDPIEDERUMI

### ⚠ UZMANĪBU!

- Šos piederumus un rīkus ieteicams izmantot ar Makita darbarīku, kas aprakstīts šajā rokasgrāmatā. Ja tiek izmantoti citi piederumi vai rīki, var rasties ievainojuma risks. Piederumu vai rīku izmantojiet tikai tam paredzētajam mērķim.

Ja jums vajadzīga palīdzība vai precīzāka informācija par šiem piederumiem, vērsieties tuvākajā Makita apkopes centrā.

- Naglas
- Gaisa šūtenes
- Aizsargbrilles

### PIEZĪME:

- Daži no šeit minētajiem piederumiem var būt iekļauti darbarīka standarta komplektācijā. Dažādās valstīs tie var atšķirties.

ENG905-1

### Troksnis

Tipiskais A-svērtais trokšņa līmenis ir noteikts saskaņā ar EN792:

Skaņas spiediena līmenis ( $L_{pA}$ ): 98,3 dB (A)

Skaņas jaudas līmenis ( $L_{WA}$ ): 98,9 dB (A)

Nenoteiktība (K): 2,5 dB (A)

### Valkājiet ausu aizsargus

ENG904-2

### Vibrācija

Vibrāciju kopējo līmeni nosaka saskaņā ar EN792:

Vibrāciju emisija ( $a_{h1}$ ): 2,52 m/s<sup>2</sup>

Nenoteiktība (K): 1,26 m/s<sup>2</sup>

- Deklarētā vibrāciju emisijas vērtība ir izmērīta saskaņā ar standarta pārbaudes metodi, un to var izmantot viena darbarīka salīdzināšanai ar citu.
- Deklarēto vibrāciju emisijas vērtību arī var izmantot, lai iepriekš novērtētu iedarbību.

### ⚠ BRĪDINĀJUMS!

- Vibrāciju emisijas vērtība elektriskā darbarīka faktiskās lietošanas laikā var atšķirties no deklarētās vērtības, atkarībā no darbarīka izmantošanas apstākļiem.
- Lai aizsargātu operatoru, jānosaka drošības pasākumi, pamatojoties uz aprēķināto iedarbību faktiskajos darba apstākļos (jāņem vērā visi darbības cikla posmi, piemēram, gan laiks, kad darbarīku izmanto naglošanas režīmā, gan arī laiks, kad darbarīks ir izsēgts un darbojas tukšgaitā).

ENH101-15

## Tikai Eiropas valstīm

### EK atbilstības deklarācija

**Mēs, uzņēmums Makita Corporation, kā atbildīgs ražotājs paziņojam, ka šāds(-i) Makita darbarīks(-i):**

Darbarīka nosaukums: Celniecības spoles naglotājs

modeļa Nr./veids: AN902

ir sērijveida izstrādājums un

**atbilst šādām Eiropas direktīvām:**

2006/42/EC

un ka tas ražots saskaņā ar šādiem standartiem vai standartdokumentiem:

EN792

Tehnisko dokumentāciju uztur mūsu pilnvarotais pārstāvis Eiropā:

Makita International Europe Ltd.

Michigan Drive, Tongwell,

Milton Keynes, Bucks MK15 8JD, England

29.3.2011



Tomoyasu Kato

Direktors

Makita Corporation

3-11-8, Sumiyoshi-cho,

Anjo, Aichi, 446-8502, JAPAN

# LIETUVIŲ KALBA (originalios instrukcijos)

## Bendrojo vaizdo paaiškinimai

1 Pneumatinio įrankio alyva	8 Dėtuvės dangtelis	15 Pakeitimo svirtelė
2 Derintuvas	9 Ritės palaikymo plokštelė	16 Plaktukas
3 Išsikišimas	10 Padalos	17 Strypelis
4 Skylė	11 Tiekimo griebtuvas	18 Išleidžiamasis vožtuvas
5 Adapteris	12 Oro antgalis	19 Oro filtras
6 Dangtelis	13 Oro lizdas	20 Tepalinė
7 Fiksatoriaus svirtelė	14 Gaidukas	21 Pneumatinų įrankių tepalas

## TECHNINIAI DUOMENYS

Modelis	AN902
Oro slėgis	0,49 – 0,83 MPa (4,9 – 8,3 bar)
Vinies ilgis	Viela sulygiuotų vinių ritinys 45 mm – 90 mm
Vinių talpa	150 – 300 vnt.
Min. žarnos skersmuo	6,5 mm
Pneumatinio įrankio alyva	Turbinos tepalas
Matmenys (ilgis x plotis x aukštis)	318 mm x 128 mm x 378 mm
Bendras svoris	3,5 kg

- Dėl nuolatinių tyrimų ir produktų vystymo, čia pateikiami techniniai duomenys galite keistis be atskiro įspėjimo.
- Techniniai duomenys gali skirtis skirtingose šalyse.
- Svoris pagal EPTA procedūrą 01/2003

ENE059-1

### Paskirtis

Įrankis yra skirtas preliminariems vidaus darbams, pvz., tvirtinti grindų sijas arba paprastas gegnes bei rėmus 2 x 4 col. korpusė.

ENB090-4

## SVARBIOS SAUGOS INSTRUKCIJOS

**ĮSPĖJIMAS: NAUDOJANTIS ŠIUO ĮRANKIU REIKIA VISUOMET LAIKYTI PAGRINDINIŲ SAUGUMO PRIEMONIŲ, KAD SUMAŽINTUMĖTE ŽMONIŲ SUŽEIDIMŲ RIZIKĄ, ĮSKAITANT:**

### PERSKAITYKITE VISAS INSTRUKCIJAS.

- Norėdami užtikrinti asmeninį saugumą, tinkamą darbą su įrankiu ir jo priežiūrą, perskaitykite šią naudotojo instrukciją prieš naudodami įrankį.
- Visada nešiokite apsauginius akinius, kad apsaugotumėte akis nuo dulkių ir sužeidimo vinimis.  
**ĮSPĖJIMAS:**  
Darbdavys yra atsakingas ir privalo užtikrinti, kad įrankį naudojančios ir kiti šalia dirbantys darbininkai naudotų akių apsaugos priemones.
- Nešiokite galvos ir ausų apsaugas, kad apsaugotumėte ausis nuo triukšmo. Taip pat vilkėkite lengvus, tačiau ne palaidus drabužius. Rankovės turėtų būti užsagstytos arba užraitytos. Nereikėtų nešioti kaklaraiščių.
- Skubėti arba naudoti jėgą su įrankiu yra pavojinga. Su įrankiu elkitės atsargiai. Nedirbkite su įrankiu išgėrę alkoholio, vartoję narkotikų ir pan.

- Bendrosios įrankio naudojimo gairės
  1. Visada elkitės taip, lyg įrankyje būtų tvirtinimo detalės (vinys).
  2. Nenukreipkite įrankio į save ar kitus žmones, nepriklausomai nuo to, ar jame yra vinių ar ne.
  3. Neįjunkite įrankio tol, kol neatrensite jo į ruošinį.
  4. Gerbkite prietaisą kaip darbo įrankį.
  5. Jokių žaidimų.
  6. Nelaikykite ir nenešiokite įrankio uždėję pirštą ant gaiduko.
  7. Įrankio nepildykite tvirtinimo detalėmis, kai yra įjungtas bent vienas valdiklis.
  8. Nesinaudokite įrankiu naudodami kitokį elektros šaltinį nei nurodyta darbo/saugumo instrukcijose.
- Negalima naudoti netinkamai veikiančių įrankių.
- Naudojant įrankį, kartais skrenda kibirkštys. Nenaudokite įrankio prie lakių, degių medžiagų, pvz., benzino, skiediklio, dažų, dujų, klijų ir t.t.; jos gali užsidegti ir sprogti, sukelti rimtų sužeidimų.
- Darbo vieta turi būti pakankamai apšviesta, kad būtų užtikrintas darbo saugumas. Vieta turi būti neužkrauta ir be šiukšlių. Būkite ypač atsargūs ir išlaikykite tvirtą pagrindą po kojomis ir gerą balansą.
- Arti turėtų būti tik tie žmonės, kurie dalyvauja darbe. Ypač negalima arti prileisti vaikų.
- Gali būti teisinių normų, reguliuojančių leidžiamą triukšmo lygį - jų reikia laikytis neviršijant leidžiamo triukšmo lygio. Kai kuriais atvejais, siekiant sulaukyti triukšmą reikėtų naudoti langines.
- Nežaiskite su kontaktiniu elementu: jis apsaugo nuo atsitiktinio šūvio, todėl turi būti uždėtas ir nenuimamas. Gaiduko fiksavimas padėtyje „JUNGTĄ“ taip pat yra labai pavojingas. Niekada nemėginkite fiksuoti gaiduką. Nenaudokite įrankio, jei bet kokia įrankio valdiklio dalis neveikia, yra atjungta, modifikuota ar tinkamai neveikia.

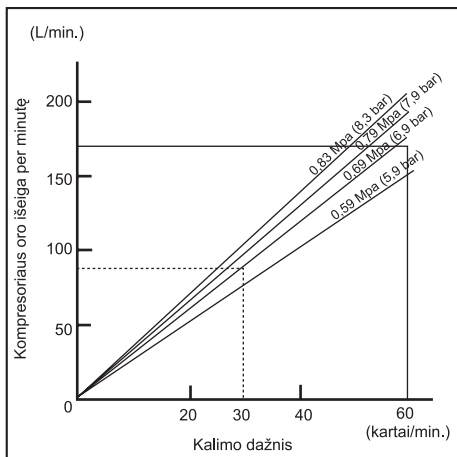


- Įrankį naudokite esant su nurodytu oro slėgiu: 0,49 – 0,83 MPa (4,9 – 8,3 bar), kad būtų užtikrintas saugumas ir ilgesnis įrankio eksploatacijos laikas. Neviršykite rekomenduojamo maks. darbinio slėgio, t.y. 0,83 MPa (8,3 bar). Įrankio nereikėtų jungti prie šaltinio, kurio slėgis gali viršyti 1,37 MPa (13,7 bar).
- Įsitikinkite, kad iš suspausto oro sistemos tiekiamas slėgis neviršija tvirtinimo detalių kaltuvo maksimalaus leidžiamo slėgio. Iš pradžių nustatykite žemesniąją rekomenduojamo leidžiamo slėgio reikšmę (žr. „TECHNINIAI DUOMENYS“).
- Niekada nenaudokite įrankio ne su suspaustu oru. Jei naudojamos balionuose laikomos dujos (anglies dioksidas, deguonis, azotas, vandenilis, oras ir t.t.) arba degios dujos (vandenilis, propanas, acetilenas ir t.t.) kaip šaltinis šiam įrankiui, įrankis sprogs ir sukels rimtų sužeidimų.
- Prieš dirbdami visada patikrinkite įrankį ir jo bendrą būklę, ar yra atsilaisvinusių varžtų. Priveržkite, jei reikia.
- Prieš dirbdami įsitikinkite, kad visos saugos sistemos veikia. Įrankis neturi veikti, jei tik paspaudžiamas gaidukas arba tik kontaktinė dalis prispaudžiama prie medžio. Jis turi veikti tik tuomet, kai atliekami abu veiksmai. Patikrinkite, ar prietaisai gerai veikia išėmę vinis ir stūmikliui esant iki galo atitrauktoje padėtyje.
- Patikrinkite sienas, lubas, grindis, stogą ir pan., kad išvengtumėte galimo elektros smūgio, dujų nutekėjimo, sproginų ir t.t., kuriuos gali sukelti susilietę laidai su srove, izoliaciniai ar dujų vamzdžiai.
- Naudokite tik šiame vadove nurodytas vinis. Naudojant kitokias vinis, įrankis gali blogai veikti.
- Niekada naudokite jungiamųjų detalių kaltuvų, pažymėtų simboliu „Nenaudokite, kai esate ant pastolių ar kopėčių“, konkrečiai paskirčiai, pavyzdžiui:
  - kai keičiant vieną kalimo vietą kita reikia lipti ant pastolių, laiptų, kopėčių ar į jas panašių konstrukcijų, pvz., stogų lentjuosčių;
  - kai uždarote dėžes ir pakuotes;
  - įrengiate transportavimo saugos sistemas, pvz., ant keldamos didelį pavojų.
- Neapmokytiems darbuotojams neleiskite naudotis įrankiu.
- Prieš kaldami vinis, įsitikinkite, kad šalia nieko nėra. Niekada nemėginkite tuo pat metu kaldti vinių iš vidaus ir iš išorės. Vinys gali prasiskverbti ir/arba nulėkti, tuo keldamos didelį pavojų.
- Vaikščiokite atsargiai ir išlaikykite pusiausvyrą su įrankiu. Įsitikinkite, kad nieko nėra žemiau, kai dirbate aukštai, ir pritvirtinkite oro žarną, kad išvengtumėte pavojaus, jei staiga truktelėtų arba užkliūtų.
- Ant stogų ir kitų aukštų vietų, vinis kalkite judėdami į priekį. Lengva prarasti tvirtą pagrindą po kojomis, jei vinis kalate pamažu judėdami atgal. Kai vinis kalate prie statmeno paviršiaus, kalkite nuo viršaus į apačią. Tokiu būdu kaldami mažiau pavargsite.
- Jei netyčia pataikysite į kitą vinį ar medžio šaką, vinis sulinks ir įrankis gali užstrigti. Vinis gali nulėkti ir pataikyti į žmogų arba pats įrankis gali pavojingai reaguoti. Vinis kalkite atsargiai.
- Nepalikite užtaisyto įrankio arba oro kompresoriaus su slėgiu ilgam laikui saulėkaitoje. Įsitikinkite, kad dulkės, smėlis, medžiagų gabaliukai ir pašalinės medžiagos nepatektų į įrankį vietoje, kur jį paliekate.
- Neatsukite išmetimo angos į ką nors netoliese. Rankas ir kojas laikykite toli nuo išmetimo srities.
- Kai oro žarna yra prijungta, neneškite įrankio, pirštą uždėję ant gaiduko ir neperduokite jo kitam tokioje būsenoje. Atsitiktinis šūvis gali būti ypatingai pavojingas.
- Su įrankiu elkitės atsargiai, nes įrankyje yra aukštas slėgis, kuris gali būti pavojingas, jei dėl šiurkštaus naudojimo atsiras įtrūkimas (numetus ir sutrenkus). Nemėginkite išraižyti ar išgraviuoti įrankio.
- Nedelsdami nutraukite kalimą, jeigu pastebėjote, kad įrankis veikia netinkamai arba neįprastai.
- Visada atjunkite oro žarną ir išimkite visas vinis, kai:
  1. paliekate neprižiūrimą;
  2. prieš atlikdami priežiūrą ar remontą;
  3. prieš šalindami įstrigusias vinis;
  4. prieš perkeldami įrankį į kitą vietą;
- Atliekate valymo ir priežiūros darbus iškart po darbo pabaigos. Įrankį laikykite nuo geresnėje būsenoje. Tepkite judančias dalis, kad apsaugotumėte nuo rūdžių ir sumažintumėte trinties sukeltą susidėvėjimą. Nušluostykite visas dulkes nuo dalių.
- Nekeiskite įrankio be bendrovės „Makita“ leidimo.
- Prašykite „Makita“ įgaliotųjų serviso centrų reguliariai tikrinti įrankį.
- Norėdami išlaikyti gaminio SAUGUMĄ ir PATIKIMUMĄ, priežiūros ir remonto darbus turėtų atlikti „Makita“ įgaliotieji aptarnavimo centrai, visuomet naudojant „Makita“ atsargines dalis.
- Naudokite tik pneumatinių įrankių tepalą, nurodytą šiame vadove.
- Niekada nejunkite įrankio prie suspausto oro linijos, kurios oro slėgis gali 10% viršyti įrankiui leistiną oro slėgį, nurodytą lentelėje „TECHNINIAI DUOMENYS“.
- Su tvirtinimo detalių įrankiais, kuriuose naudojamas suspaustas oras, turėtų būti dirbama tik žemiausiu spaudimu, reikalingu tuometiniam darbo procesui, kad išvengtumėte nereikalingai aukšto triukšmo lygio, spartesnio dėvėjimosi ir dėl to atsirandančių gedimų.
- Nemėginkite išlaikyti gaiduką nuspausta juosta ar viela. Dėl to kyla sužeidimų ir mirties pavojus.
- Visada patikrinkite kontaktinį elementą kaip nurodyta šiame vadove. Vinys gali būti atsitiktinai iššautos, jei saugos mechanizmas veikia netinkamai.

## **IŠŠAUGOKITE ŠIAS INSTRUKCIJAS.**

## PARUOŠIMAS

### Kompresoriaus pasirinkimas



Oro kompresoriai turi atitikti EN60335-2-34 keliamus reikalavimus.

Pasirinkite kompresorių, kuris tiekia pakankamą slėgį ir oro išveigą, kad užtikrintumėte efektyvų kainos atžvilgiu veikimą. Grafike pavaizduotas ryšys tarp kalimo dažnio, naudojamo slėgio ir kompresoriaus oro išveigos.

Todėl, pavyzdžiui, jei kalama apie 30 kartų per minutę, esant 0,69 MPa (6,9 bar), reikia kompresoriaus su oro išveiga virš 80 l/min.

Reikia naudoti slėgio reguliatorius oro slėgiui riboti iki nominalaus įrankio slėgio, kai oro šaltinio slėgis viršija nominalų įrankio slėgį. To nepadarius, kyla rimtų sužeidimų pavojus dirbančiajam su įrankiu ir arti esantiems žmonėms.

### Oro žarnos pasirinkimas (Pav. 1)

Naudokite kuo didesnę ir kuo trumpesnę žarną, kad užtikrintumėte nuolatinį ir efektyvų kalimą. Oro slėgiui esant 0,49 MPa (4,9 bar), rekomenduojama oro žarna, kurios vidinis skersmuo yra virš 6,5 mm ir trumpesnė nei 20 m, kai intervalas tarp kalimų yra 0,5 sekundės. Oro tiekimo žarnų minimalus darbinis slėgis turi būti 1,03 MPa (10,3 bar) arba 150 procentų maksimalaus slėgio, gaunamo sistemoje, pagal tai, kuri reikšmė yra didesnė.

### ⚠ DĖMESIO!

Maža kompresoriaus oro išveiga arba ilga arba mažesnio skersmens oro žarna, priklausomai nuo kalimo dažnio, gali susilpninti įrankio kalimo efektyvumą.

### Tepimas

Norėdami užtikrinti geriausią veikimą, įrenkite oro rinkinį (tepalinę, reguliatorių, oro filtrą) kaip įmanoma arčiau įrankio. Tepalinę sureguliuokite, kad kas 30 vinių būtų išskiriamas vienas lašas tepalo. (Pav. 2)

Kai oro rinkinys nenaudojamas, įrankį tepkite pneumatinio įrankio tepalu, užlašindami 2 (du) arba 3 (tris) lašus į oro antgalį. Tą reikėtų daryti prieš ir po naudojimo. Kad tepimas būtų tinkamas, įrankiu reikia iššauti porą kartų po to, kai įlašinamas pneumatinio įrankio tepalas. (Pav. 3)

## FUNKCINIS APRAŠYMAS

### ⚠ DĖMESIO!

Visada atjunkite oro žarną prieš reguliuodami arba tikrindami įrankio veikimą.

### Kalimo gylio reguliavimas (Pav. 4)

Norėdami reguliuoti kalimo gylį, pasukite derintuvą. Kalimo gylis yra didžiausias, kai derintuvas yra pasuktas iki galo kryptimi A, kuri parodyta paveikslėlyje. Kalimo gylis mažėja, derintuvą sukant kryptimi B. Jei vinys nesusminga pakankamai giliai net tada, kai derintuvas yra pasuktas iki galo kryptimi A, padidinkite oro slėgį. Jei vinys susminga per giliai net tada, kai derintuvas yra pasuktas iki galo kryptimi B, sumažinkite oro slėgį. Apskritai, įrankio eksploatacijos laikas bus ilgesnis, kai įrankis bus naudojamas su mažesniu oro slėgiu, o derintuvas nustatytas į mažesnių vinių kalimo gylį.

### ⚠ DĖMESIO!

Visada atjunkite žarną prieš derindami kalimo gylį.

### Naudokite adapterį (Pav. 5)

### ⚠ DĖMESIO!

Visada atjunkite žarną prieš uždėdami ar nuimdami adapterį.

Jei norite apsaugoti ruošinio paviršių, uždėkite kontaktinio elemento galo adapterį.

Kai vinimis sukamate ruošinius, kurių paviršius yra lengvai sugadinamas, naudokite adapterį. Norėdami adapterį tvirtinti prie kontaktinio elemento, prispauskite jį prie kontaktinio elemento, kol išsikišimas trijose vietose adapteryje atitiks tris skyles kontaktiniame elemente.

## SURINKIMAS

### ⚠ DĖMESIO!

Visada atjunkite oro žarną prieš atikdami kokį nors įrankio tvarkymo darbą.

### Kaltuvo pripildymas

Pasirinkite savo darbui tinkamas vinis. Paspauskite fiksaatoriaus svirtelę ir atidarykite dangtelį. Tada atidarykite dėtuves dangtelį. (Pav. 6)

Pakelkite ir pasukite ritės palaikymo plokštelę taip, kad rodyklė su ant ritės palaikymo plokštelės nurodytu vinių dydžiu būtų nukreipta į atitinkamą gradavimo padalą, pažymėtą ant dėtuves. Jei įrankis yra naudojamas su ritės palaikymo plokštele nustatyta į neteisingą žingsnį, gali būti blogai tiekiamos vinys ir įrankis gali blogai veikti. (Pav. 7)

Uždėkite vinių ritę ant ritės palaikymo plokštelės. Išvyniokite pakankamai vinių, kad pasiektumėte tiekimo griebtuvą. Uždėkite pirmą vinių pavaros kanale ir antrą vinių į tiekimo griebtuvą. Kitas išvyniotas vinis uždėkite ant tiektuvo korpuso. Uždarykite dėtuves dangtelį patikrinę, ar vinių ritė tinkamai įdėta į dėtuvę. (Pav. 8)

### Oro žarnos prijungimas (Pav. 9)

Uždėkite oro žarnos oro lizdą ant kaltuvo oro antgalio. Įsitikinkite, kad oro lizdas tvirtai užsifiksuoja, kai uždėdate ant oro antgalio. Žarnos sujungimas turi būti daromas ant arba arti įrankio taip, kad slėgio rezervuaras išleistų slėgį, kai atjungiamas oro tiekimo sujungimas.

## DARBAS

### ⚠ DĖMESIO!

- Prieš dirbdami įsitikinkite, kad visos saugos sistemos veikia.

### Serijinis vinių kalimas

Pasukite svirtelę į III padėtį spausdami mygtuką kitoje svirtelės pusėje (Pav. 10 ir 11)

1. Norėdami kalti vinių, galite kontaktinį elementą atremti į ruošinį ir paspausti gaiduką.
  2. Pirmiausia paspauskite gaiduką ir kontaktinį elementą atremkite į ruošinį.
- Nr. 1 metodas yra kalimui su pertrūkiais, kai norite atsargiai ir labai tiksliai įkalti vinių. Nr. 2 metodas skirtas nuolatiniam kalimui.

### ⚠ DĖMESIO!

- Įrankį naudojant be vinių, trumpėja jo eksploatacijos laikas ir todėl reikia vengti tai daryti.

### Nuoseklusis režimas (vinių kalimas su pertrūkiais) (Pav. 12)

Pasukite svirtelę į V padėtį spausdami mygtuką kitoje svirtelės pusėje.

Norėdami kalti vinių, galite kontaktinį elementą atremti į ruošinį ir paspausti gaiduką.

### ⚠ DĖMESIO!

- GAIDUKĄ LAIKANT PUSIAU NUSPAUSTA, gali prasidėti netikėtas kalimas, jei kontaktiniam elementui leidžiama iš naujo kontaktuoti su ruošiniu arba kiti paviršiumi, veikiant atitrūkai. Kad išvengtumėte tokio netikėto kalimo, darykite kaip nurodyta žemiau:

- A. kontaktinio elemento neatremkite į ruošinį per stipriai,
- B. iki galo nuspauskite gaiduką ir laikykite jį 1 – 2 sekundes po kalimo.

- Jei įrankis veikia be vinių, tai trumpina jo eksploatacijos trukmę ir to reikėtų vengti.

### Užstrigęs kaltuvas (Pav. 13)

### ⚠ DĖMESIO!

- Visada atjunkite oro žarną ir išimkite vinis iš dėtuvės prieš šalindami įstrigusias vinis.

Kai kaltuve įstringa vinys, atlikite šiuos veiksmus:

atidarykite dėtuvės dangtelį ir išimkite vinių ritę; į išmetimo angą įstatykite strypelį ar panašų daiktą ir padaužykite jį platakuku, kad išmuštumėte įstrigusias vinis iš išmetimo angos. Iš naujo įdėkite vinių ritę ir uždarykite dėtuvės dangtelį.

### Vinys

Elkitės atsargiai su vinių ritėmis ir jų dėžute. Jei su vinių ritėmis elgiamasi grubiai, jos gali deformuotis arba lūžti jų sujungimai, o tai sukels blogą vinių tiekimą. (Pav. 14)  
Venkite vinis laikyti labai drėgnoje arba karštoje vietoje, arba tiesioginiuose saulės spinduliuose. (Pav. 15)

## PRIEŽIŪRA

### ⚠ DĖMESIO!

- Visada atjunkite oro žarną nuo įrankio prieš tikrindami įrankį ar atlikdami jo priežiūros darbus.
- Niekada nenaudokite benzino, tirpiklio, alkoholio ir pan. medžiagų. Gali pasikeisti spalva, deformuotis arba įtrūkti.

## Kaltuvo priežiūra

Prieš dirbdami visada patikrinkite įrankį ir jo bendrą būklę, ar yra atsilaisvinsiu varžtų. (Pav. 16)

Atjungę įrankį atlikite kasdienę apžiūrą, kad įsitikintumėte, jog kontaktinis elementas ir gaidukas laisvai juda. Nenaudokite įrankio, jeigu stringa kontaktinis elementas arba gaidukas. (Pav. 17)

Kai įrankis nenaudojamas ilgą laiką, patepkite įrankį pneumatinio įrankio tepalu ir laikykite įrankį saugioje vietoje. Venkite palikti tiesioginiuose saulės spinduliuose ir/arba drėgnoje ar karštoje aplinkoje. (Pav. 18 ir 19)

## Kompresoriaus, oro rinkinio ir oro žarnos priežiūra

Po darbo visuomet ištuštinkite kompresoriaus rezervuarą ir oro filtrą. Jei leisite drėgmei patekti į įrankį, dėl to gali pablogėti jo darbas ir jis gali sugesti. (Pav. 20 ir 21)

Periodiškai patikrinkite, ar yra pakankamai pneumatinių įrankių tepalo tepalinėje oro rinkinyje. Jei nebus išlaikomas geras sutepimas, greitai nusidėvės „O“ formos žiedai. (Pav. 22)

Oro žarną laikykite atokiai nuo karščio (virš 60°C), chemikalų (skiediklio, stiprių rūgščių arba šarmų). Taip pat nuveskite žarną toliau nuo kliūčių, už kurių gali pavojingai užsikabinti darbo metu. Žarnas reikia nuvesti toli nuo aštrių briaunų ir vietų, kuriose žarna gali būti apibrayta ar kitaip pažeista. (Pav. 23)

Norėdami išlaikyti gaminio SAUGUMĄ ir PATIKIMUMĄ, remontu, bet kuriuos kitus priežiūros ir derinimo darbus turėtų atlikti „Makita“ įgaliotieji aptarnavimo centrai, visuomet naudojant „Makita“ atsargines dalis.

## PAPILDOMAI ĮSIGYJAMI PRIEDAI

### ⚠ DĖMESIO!

- Su šiaame vadove aprašytu bendrovės „Makita“ įrankiu rekomenduojame naudoti šiuos priedus. Jei bus naudojami kiti priedai, gali kilti žmonių sužeidimo pavojus. Priedus naudokite tik pagal nurodytą paskirtį.

Jei jums reikia daugiau informacijos apie šiuos priedus, kreipkitės į savo vietinį „Makita“ klientų aptarnavimo centrą.

- Vinys
- Oro žarnos
- Apsauginiai akiniai

### PASTABA:

- Kai kurios nurodytos prekės sąrašė gali būti pateikiamos įrankio komplekte kaip standartiniai priedai. Jos gali skirtis skirtingose šalyse.

**Triukšmas**

Būdingasis A svertinis triukšmas, nustatomas pagal

EN792:

Garso slėgis ( $L_{pA}$ ): 98,3 dB (A)

Garso galios lygis ( $L_{WA}$ ): 98,9 dB (A)

Neapibrėžtis (K): 2,5 dB (A)

**Dėvėkite ausų apsaugines priemones**

ENG904-2

**Vibracija**

Vibracijos bendroji reikšmė nustatoma pagal EN792:

vibracijos emisija ( $a_n$ ): 2,52 m/s<sup>2</sup>

Neapibrėžtis (K): 1,26 m/s<sup>2</sup>

ENG901-1

- Deklaruojama vibracijos emisijos reikšmė buvo išmatuota standartiniu testavimo metodu ir ją galima naudoti lyginant skirtingus įrankius.
- Deklaruojama vibracijos emisijos reikšmė gali taip pat būti naudojama preliminariam veiksnių stiprumo vertinime.

**⚠ ĮSPĖJIMAS!**

- Vibracijos emisija realaus elektros įrankio naudojimo metu gali skirtis nuo deklaruojamos emisijos reikšmės dėl skirtingo įrankio naudojimo.
- Būtinai nustatykite saugumo priemones, skirtas operatoriui apsaugoti pagal poveikio įvertinimą realiomis sąlygomis naudojant įrankį (įvertinant visas darbo ciklo dalis, pvz., kai įrankis yra išjungtas ir kai veikia tuščia eiga su suveikimo laiku).

ENH101-15

**Tik Europos šalims****EB atitikties deklaracija**

**Bendrovė Makita Corporation kaip atsakingas gamintojas patvirtina, kad šis Makita gaminy (-iai):**

Gaminio pavadinimas:

Statybinis ritininis vinių kaltuvas

Modelio Nr./ Tipas: AN902

yra gaminamas serijiniu būdu ir

**atitinka šias Europos direktyvas:**

2006/42/EC

ir yra gaminamas pagal šiuos standartus arba standartizuotus dokumentus:

EN792

Techninę dokumentaciją laiko mūsų įgaliotasis atstovas Europoje:

Makita International Europe Ltd.

Michigan Drive, Tongwell,

Milton Keynes, Bucks MK15 8JD, England

29.3.2011



Tomoyasu Kato

Direktorius

Makita Corporation

3-11-8, Sumiyoshi-cho,

Anjo, Aichi, 446-8502, JAPAN

## Üldise ülesehituse selgitus

1	Pneumotööriista õli	8	Magasini kaas	15	Vahetushoob
2	Regulaator	9	Rulli alusplaat	16	Vasar
3	Väljaulatav osa	10	Möödutühised	17	Väike torn
4	Auk	11	Söötehaarats	18	Äravoolumkraan
5	Otsaku adapter	12	Suruõhuliitmik	19	Õhufilter
6	Luuk	13	Suruõhuvooliku otsak	20	Õlitaja
7	Riivihooob	14	Päästik	21	Pneumosüsteemi õli

## TEHNILISED ANDMED

Mudel	AN902
Õhurõhk	0,49 – 0,83 MPa (4,9 – 8,3 bar)
Naela pikkus	Traatseosega nael 45 mm – 90 mm
Magasini maht	150 – 300 naela
Vooliku min läbimõõt	6,5 mm
Pneumotööriista õli	Turbiiniõli
Mõõtmed (P x L x K)	318 mm x 128 mm x 378 mm
Netokaal	3,5 kg

- Tootja rakendatava arendusprogrammi tõttu võidakse siin toodud tehnilisi andmeid ette teatamata muuta.
- Tehnilised andmed võivad olla riigiti erinevad.
- Kaal mõdetud vastavalt EPTA protseduurile 01.2003

ENE059-1

## Kasutusotstarve

Tööriist on ette nähtud esmasteks sisetöödeks, nt põrandatalade ja tavaliste sarikate kinnitamiseks ja karkassitöödeks 2" x 4" laudadega.

ENB090-4

## TÄHTSAD OHUTUSJUHISED

**HOIATUS: KEHAVIGASTUSTE OHU VÄLTIMISEKS TULEB TÖÖRIISTA KASUTAMISEL ALATI JUHINDUDA ALLPOOL LOETLETUD NÕUETEST.**

## LUGEGE KÕIK JUHISED LÄBI.

- Ohutuse ning tööriista nõuetekohase töö ja hoolduse tagamiseks lugege käesolev juhend enne tööriista kasutamist läbi.
- Kandke alati kaitseprille oma silmade hoidmiseks tolmust ja naeltest tingitud vigastuste eest. HOIATUS: Tööandja on kohustatud nõudma kaitseprillide kasutamist tööriista töötavatel ja teistel töökoha vahetus läheduses viibivatel inimestel.
- Kandke tööriista löögiheli eest kaitsevad kuulmiskaitseid ja peakaitset. Kandke kerget, kuid mitte lahtist riietust. Käised peavad olema kinni nõõbitud või üles kääritud. Kaelasidet ei tohi kanda.
- Töö juures kiirustamine ja tööriista ülekoormamine on ohtlik. Käsitsege tööriista ettevaatlikult. Ärge töötage, kui olete alkoholi, uimastite või medikamentide mõju all.

- Tööriista üldised käsitsemisjuhised:

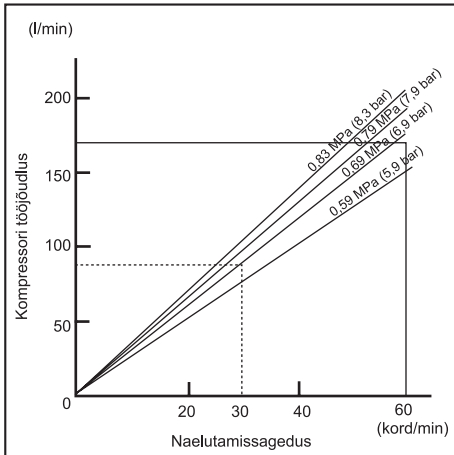
1. Eeldage alati, et naelapüstol on laetud.
  2. Ärge suunake tööriista enda või kellegi teise poole, olenemata sellest, kas tööriist on laetud või mitte.
  3. Ärge vajutage päästikule, kui tööriist ei ole kindlalt kinnitatavale kohale surutud.
  4. Ärge olge tööriista suhtes hooletu.
  5. Ärge tööriistaga mängige.
  6. Ärge hoidke või kandke tööriista, kui hoiate sõrme päästikul.
  7. Ärge lisage tööriista kinnitusvahendeid, kui mõni juhtseadistest on aktiveeritud.
  8. Käituge tööriista ainult kasutus- ja hooldusjuhendis ettenähtud energiaallikaga.
- Nõuetekohaselt mittetöötavat tööriista ei tohi kasutada.
  - Tööriista kasutamine võib tekitada sädemeid. Ärge kasutage tööriista lenduvate tuleohtlike ainete, näiteks bensiini, värvilahusti, värvi, gaasi, liimide jms lähedal. Need ained võivad süttida ja plahvatada ning tõsiseid vigastusi tekitada.
  - Tööohutuse tagamiseks peab töökohta olema piisavalt valgustatud. Töökohta peab olema puhas ja korras. Olge eriti tähelepanelik kindla jalgealuse ja tasakaalu suhtes.
  - Töökohas võivad viibida ainult tööga seotud isikud. Eriti lapseid tuleb töökohast alati eemal hoida.
  - Kehkida võib kohalike seadusi määratsemete suhtes, mida tuleb kindlasti järgida. Teatud juhtudel tuleb müra leviku vältimiseks kasutada sirme.
  - Ärge mängige kontaktelemendiga. See aitab vältida püstoli ettekvatsemata valla päästmist ning peab olema alati töökorras. Päästiku kinnitamine asendisse ON (Sees) on samuti väga ohtlik. Ärge kunagi üritage päästikut kinnitada. Ärge kasutage tööriista, kui mõni selle juhtseadis ei toimi, on ühendamata, muudetud ehitusega või ei ole töökorras.

- Ohutuse ja tööriista pikaajalise tagamiseks käitage tööriista ainult ettenähtud suruõhu rõhuga 0,49 – 0,83 MPa (4,9 – 8,3 bar). Ärge ületage maksimaalset ettenähtud töö rõhku 0,83 MPa (8,3 bar). Tööriista ei tohi ühendada suruõhu allikaga, mille potentsiaalne õhurõhk on suurem kui 1,37 MPa (13,7 bar).
- Veenduge, et suruõhusüsteemist tuleva õhu rõhk ei ületaks tööriistale lubatud suurimat rõhku. Reguleerige õhurõhk eelnevalt suurimast lubatud rõhust väiksemale väärtusele (vt jaotist **TEHNILISED ANDMED**).
- Kasutage tööriista ainult suruõhuga. Kui tööriista energiaallikana kasutada balloongaasi (süsinikdioksiid, hapnik, lämmastik, vesinik, õhk vms) või tuleohtlikku gaasi (vesinik, propan, atsetüleen vms), siis tööriist plahvatab ja võib tekitada tõsisid kehvagastusi.
- Enne kasutamist vaadake tööriist alati üle ja kontrollige, et sellel poleks lahti tulnud osi. Pingutage vastavalt vajadusele.
- Enne kasutamist veenduge, et kõik turvaseadised on töökorras. Tööriist ei tohi valla pääseda, kui vajutatakse ainult päästikule või ainult kontaktosak puidu vastu surutakse. Tööriist võib töötada ainult mõlema nimetatud toimingu korral. Katsetage tööriista võimalikku vallapääsemist suhtes ilma naeltega, kui tõukur on täiesti tagasi tõmmatud.
- Vaadake seinad, laed, põrandad ja katused tähelepanelikult üle, et avastada võimalikud elektrilöögiõhu, gaasilekke, plahvatusohtu jms kohad, näiteks katmata juhtmeotsad, lekkivad torud vms.
- Kasutage ainult selles juhendis kirjeldatud naelu. Teistsuguste naelte kasutamine võib põhjustada tööriista tõrke.
- Ärge kasutage kinnituspüstitöid, millel on märged „Ärge kasutage tellingutel või redelil seistes.“, eritööde jaoks, näiteks:
  - juhul kui töökoha vahetamisel tuleb teise kohta siirduda tellingute, trepi, redeli vms kaudu, näiteks katuseroovide korral;
  - kastide sulgemine;
  - veoturvasüsteemi kinnitamine näiteks veokile või vagunile.
- Ärge lubage vastava ettevalmistuseta isikul tööriista kasutada.
- Enne naelutamist veenduge, et lähedal ei ole kõrvalisi inimesi. Ärge kunagi üritage naelutada korraga seest- ja väljapoolt. Naelad võivad puidust läbi minna ja/või eemale lennata, mis on eluohtlik.
- Vaadake oma jalge ette ja säilitage tasakaalu tööriista käsitsedes. Kõrgel töötades veenduge, et kedagi ei ole allpool ning paigutage õhuvoolik ohutult, et vältida komistamist ja kinnijäämist.
- Katusel või mujal kõrgel töötades naelutage ainult edaspidi liikudes. Tagurpidi liikumise ajal naelutades võite kaotada tasakaalu. Püstloodis oleva pinna naelutamisel tehke seda ülalt allapoole. See aitab jõudu säästa.
- Nael võib kõverduda või tööriist kinni kiiluda, kui lasete naela kogemata teise naela peale või oksakohale. Nael võib eemale lennata ja keegi võib sellega pihta saada ning ka tööriist võib ohtlikult liikuda. Valige naelutuskohad hoolikalt.
- Ärge jätke laetud tööriista või rõhu all olevat kompressorit pikaks ajaks päikese kätte. Veenduge, et säilituskohas ei satu tööriista sisse tolm, liiva, laastusid vm võõrkehi.
- Naela väljalaskeava ei tohi kellegi poole pöörata. Hoidke käed ja jalad väljalaskeavast eemal.
- Kui suruõhuvoolik on ühendatud, ärge kandke tööriista sõrme päästikul hoides ega andke ka tööriista kellegi edasi. Ettevaatamatu vallapäästmine võib olla väga ohtlik.
- Käsitsege tööriista ettevaatlikult, sest tööriistas on kõrge rõhk ja prao tekkimine (tööriista kukkumisel või löömisel) võib olla väga ohtlik. Ärge tehke tööriista pinnale sisselõikeid ega graveerige sellele.
- Katkestage naelutamine viivitamatult, kui märkate, et midagi on valesti või et tööriist ei ole korras.
- Võtke suruõhuvoolik alati lahti ja tühjendage tööriist naeltest, kui:
  1. tööriist jääb järelevalveta,
  2. hakkate tööriista hooldama või remontima,
  3. hakkate kõrvaldama ummistust,
  4. viite tööriista teise kohta.
- Puhastage ja hooldage tööriista kohe pärast töö lõpetamist. Hoidke tööriist alati parimas korras. Määrige liikuvaid osi, et vältida nende roostetamist ja hõrdumist tingitud kulumist. Puhastage kõik osad tolmust.
- Ärge tööriista ilma Makita loata muutke.
- Laske tööriista Makita volitatud esinduses regulaarselt kontrollida.
- Toote OHUTUSE ja TÕÕKINDLUSE tagamiseks on tähtis, et toodet hooldatakse ja remonditakse Makita volitatud hoolduskeskuses ning kasutatakse ainult Makita varuosi.
- Kasutage ainult selles juhendis määratletud pneumotööriista õli.
- Ärge kunagi ühendage tööriista suruõhuallikaga, kus õhurõhk võib ületada tööriistale sobivat rõhuvahemikku (vt tabelist „TEHNILISED ANDMED“) 10% või rohkem.
- Vältimaks liigselt kõrget mürataset, suuremat kulumist ja sellest tulenevaid rikkeid, tuleb suruõhu-naelapüstoleid kasutada madalaima rõhuga, mis sobib tehtava töö jaoks.
- Ärge kinnitage päästikut või kontakteleменти teibi või traadi abil. See võib põhjustada surma või tõsise vigastuse.
- Kontrollige kontakteleменти alati vastavalt juhendile. Turvamehhanismi mittetoimimine võib põhjustada naelte ootamatu vallandumise.

## **HOIDKE JUHEND ALLES.**

## PAIGALDAMINE

### Kompressori valimine



Kompressor peab vastama standardi EN60335-2-34 nõuetele.

Hea tööjõudluse huvides valige piisavalt suure rõhu ja jõudlusega kompressor. Graafik näitab naelutamissageduse, kasutatava rõhu ja kompressori jõudluse vahelist seost.

Seega, kui soovivat naelutamissagedust on näiteks 30 korda minutis ja suruõhu rõhk on 0,69 MPa (6,9 bar), vajatakse kompressorit jõudlusega 80 l/min.

Kui kompressori õhurõhk ületab tööriista jaoks lubatud suurimat rõhku, tuleb kasutada rõhuregulaatorit. Vastasel korral võib juhtuda tööriista kasutaja või lähedal viibivate inimeste tõsise vigastuse ga lõppev õnnetus.

### Suruõhuvooliku valimine (Joon. 1)

Parema tööjõudluse huvides kasutage alati võimalikult suure läbimõõduga ja lühikest suruõhuvoolikut. Kui suruõhu rõhk on 0,49 MPa (4,9 bar), soovitakse kasutada 6,5 mm siseläbimõõduga ja vähem kui 20 m pikkust suruõhuvoolikut, juhul kui naelutamise intervall on 0,5 s. Suruõhuvooliku jaoks lubatud tööõhk peab olema vähemalt 1,03 MPa (10,3 bar) või 150 protsenti süsteemi maksimaalsest rõhust, suuremast väärtusest olenevalt.

#### ⚠ ETTEVAATUST!

• Väiksema jõudlusega kompressori, pikema või väiksema läbimõõduga vooliku ning suurema naelutamissageduse korral võib tööriista loogivõimsus väheneda.

### Määrimine

Maksimaalse tööjõudluse huvides paigutage suruõhusõlm (õlitusseade, regulaator, õhufilter) tööriistale võimalikult lähedale. Õlitusseadme reguleerimisel valige tilk õli iga 30 naela kohta. (Joon. 2) Kui te suruõhusõlme ei kasuta, õlitage tööriista pneumotööriista õliga, lastes 2 (kaks) või 3 (kolm) tilka õli õhuliitmikku. Seda tuleb teha enne ja pärast tööriista kasutamist. Et määrimine oleks korralik, tuleb tööriistaga paar korda lasta. (Joon. 3)

## KIRJELDUS

#### ⚠ ETTEVAATUST!

• Enne tööriista reguleerimist või kontrollimist võtke suruõhuvoolik tööriista küljest lahti.

### Naelutussügavuse reguleerimine (Joon. 4)

Naelutussügavuse muutmiseks keerake regulaatorit. Naelutussügavus on suurim, kui regulaator on joonisel näidatud suunas A lõpuni keeratud. Naelutussügavus väheneb, kui regulaatorit keerata suunas B. Kui naelutussügavuse ei ole piisav vaatamata sellele, et regulaator suunas A lõpuni keeratud, suurendage õhurõhku. Kui naelutussügavus on liiga suur vaatamata sellele, et regulaator on suunas B lõpuni keeratud, vähendage õhurõhku. Tööriista tööga on üldiselt pikem, kui tööriista kasutatakse madalama õhurõhuga ja väiksema naelutussügavusega.

#### ⚠ ETTEVAATUST!

• Võtke suruõhuvoolik alati enne naelutussügavuse reguleerimist lahti.

### Kasutage otsaku adapterit (Joon. 5)

#### ⚠ ETTEVAATUST!

• Enne otsaku adapteri paigaldamist või eemaldamist ühendage alati voolik lahti.

Kui tahate töödeldava detaili pinda kaitsta, kinnitage tööriistale kontaktelementi otsaku adapter.

Kui kasutate naelapüstolit kergesti kahjustuvatel pindadel, kasutage otsaku adapterit. Otsaku adapteri kinnitamiseks kontaktelemendile suruge see vastu kontaktelementi, kuni otsaku adapteri sees olevad kolm väljalatuvat osa sobituvad kontaktelemendis ollesse kolme auku.

## KOKKUPANEK

#### ⚠ ETTEVAATUST!

• Enne tööriista hooldamist ja reguleerimist võtke suruõhuvoolik alati tööriista küljest lahti.

### Naelte laadimine

Valige töö jaoks sobivad naelad. Vajutage riivi hoob alla ja avage luuk. Seejärel avage magasinini kaas. (Joon. 6)

Tõstke ja keerake naelarulli alusplaati, nii et alusplaadil olev naelapikkuse nool osutab vastavale mõõdutühisele magasinil. Kui naelarulli alusplaad on keeratud valele mõõdule, võib tagajärjeks olla tõrge naelte söötmisel või tööriista kahjustus. (Joon. 7)

Pange naelarull alusplaadile. Kerige naelarulli lahti, kuni naelad ulatuvad söötehaaratsisse. Asetage esimene nael loogikanalisse ja teine nael söötehaaratsisse. Ülejäanud lahtikeritud naelad pange sööturisse. Sulgege magasinini kaas, kui olete veendunud, et naelarull on korralikult magasinini paigutatud. (Joon. 8)

### Suruõhuvooliku ühendamine (Joon. 9)


Lükake suruõhuvooliku otsak naelapüstoli õhuliitmiku otsa. Veenduge, et otsak kinnitub kindlalt liitmiku külge. Voolikliitmik peab asuma tööriista küljes või lähedal, nii et tööriista rõhuanum tühjeneb, kui õhuvoolik tööriista küljest lahti võetakse.

## TÖÖ

### ⚠ ETTEVAATUST!

- Enne kasutamist veenduge, et kõik turvaseadised on töökorras.

### Pideva naelutamise režiim

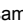
Pöörake hoob asendisse , vajutades samal ajal hoova teisel küljel olevat nuppu. (Joon. 10 ja 11)

1. Naela löömiseks võite kontaktelemendi puidupinnale suruda ja päästikule vajutada.
  2. Vajutage esmalt päästikule ja asetage seejärel kontaktelement puidule.
- Tööriis nr 1 on mõeldud intervalliga naelutamiseks, kui soovitate naelu lüüa ettevaatlikult ja väga täpselt. Tööriis nr 2 on mõeldud kiireks järjestikuseks naelutamiseks.

### ⚠ ETTEVAATUST!

- Ilma naelteta töötamine lühendab tööriista tööiga ja seda tuleks vältida.

### Järjestikuse naelutamise režiim (intervalliga naelutamise režiim) (Joon. 12)

Pöörake hoob asendisse , vajutades samal ajal hoova teisel küljel olevat nuppu.

Naela löömiseks võite kontaktelemendi puidupinnale suruda ja päästikule vajutada.

### ⚠ ETTEVAATUST!

- PÄÄSTIKU HOIDMINE POOLELDI ALLVAJUTATUNA võib põhjustada tööriista ootamatu vallandumise, kui kontaktelement puudutab tagasilöögi tõttu uuesti puidu vm pinda. Sellise ootamatu vallapääsemise vältimiseks toimige järgmiselt.
  - A. Ärge suruge kontaktelementi liiga tugevalt puidu pinnale.
  - B. Tõmmake päästik lõpuni tagasi ja pärast naelutamist hoidke 1 – 2 sekundit.
- Ilma naelteta töötamine lühendab tööriista tööiga ja seda tuleks vältida.

### Naelapüstoli ummistumine (Joon. 13)

### ⚠ ETTEVAATUST!

- Enne ummistuse kõrvaldamist võtke suruõhuvoolik alati lahti ja tühjendage magasin naeltest.

Naelapüstoli ummistumise korral toimige järgmiselt.

Avage magasin kaas ja eemaldage naelarull. Lükake löögiavasse peenike varras vms tööriist ja lööge tööriista ummistanud nael tagasi. Paigaldage naelarull ja sulgege magasin kaas.

### Naelad

Käsitsege naelarulle ja -karp hoopikalt. Ebaõigesti käsitletud naelarullid võivad kõveraks minna ja ühendustraat võib katkeda, mis takistab naelte söötmist. (Joon. 14)

Ärge hoidke naelu väga niiskes või kuumas kohas ning hoidke neid otsese päikesevalguse eest. (Joon. 15)

## HOOLDUS

### ⚠ ETTEVAATUST!

- Enne tööriista kontrollimist või hooldamist võtke suruõhuvoolik tööriista küljest lahti.
- Ärge kasutage kunagi bensiini, lahustit, vedeldit, alkoholi vms. Selle tagajärjel võib pind värvi kaotada, moodnuda või mureneda.

## Naelapüstoli hooldamine

Enne kasutamist vaadake tööriist alati üle ja kontrollige seda lahti tulnud osade suhtes. Pingutage vastavalt vajadusele. (Joon. 16)

Kui tööriist ei ole suruõhusüsteemiga ühendatud, kontrollige kontaktelementi ja päästikut kord päevas vaba liikumise suhtes. Ärge kasutage tööriista, kui kontaktelement või päästik kinni kiilub. (Joon. 17)

Kui tööriista pikema aja vältel ei kasutata, määrige seda pneumaatilise õliga ja säilitage tööriista kindlas kohas. Vältige kokkupuudet otsese päikesevalguse ja/või niiskuse ning kuumusega. (Joon. 18 ja 19)

## Kompressori, suruõhukeskuse ja õhuvooliku hooldamine

Pärast tööd tühjendage alati kompressor ja õhufilter. Kui tööriista satub niiskust, võib tekkida tööriista torge ja isegi kahjustus. (Joon. 20 ja 21)

Kontrollige regulaarselt, kas suruõhukeskuses on piisavalt pneumaatilist õli. Ebapiisav määrimine võib põhjustada rõngastihendite kiiret kulumist. (Joon. 22)

Hoidke suruõhuvoolikut kuumuse eest (üle 60°C) ja kemikaalide eest (lahusti, tugevad happed ja alused). Paigutage õhuvoolik eemale takistustest, mille külge voolik võib töö ajal kinni jääda. Hoidke õhuvoolikuid teravate servade ja selliste kohtade eest, mis võivad voolikult kahjustada või kulutada. (Joon. 23)

Toote OHUTUSE ja TÖÖKINDLUSE tagamiseks on tähtis, et toodet hooldatakse, remonditakse ja reguleeritakse Makita volitatud hoolduskeskuses ning kasutatakse ainult Makita varuosi.

## VALIKULISE LISASEADMED

### ⚠ ETTEVAATUST!

- Järgmised lisaseadmed ja varustus on mõeldud Makita tööriistale, mida selles juhendis kirjeldatakse. Muude lisaseadmete ja varustuse kasutamine võib tagajärjena kaasa tuua kehavigastuste ohu. Kasutage lisaseadmeid ja varustust ainult ettenähtud otstarbel.

Kui vajate täiendavat infot lisaseadmete kohta, küsige seda kohalikest Makita hoolduskeskusest.

- Naelad
- Suruõhuvoolikud
- Kaitseprillid

### MÄRKUS:

- Mõned siin loetletud lisaseadmed võivad olla tööriista kompleksis standardtarvikuna. Need võivad olla riigiti erinevad.

ENG905-1

## Müra

Standardi EN792 kohaselt mõõdetud tüüpiline A-kategooria müratase on:

- Mürarõhk ( $L_{pA}$ ): 98,3 dB (A)
- Müravõimsus ( $L_{WA}$ ): 98,9 dB (A)
- Ebatäpsus (K): 2,5 dB (A)

### Kasutage kuulmiskaitseid

ENG904-2

## Vibratsioon

Vibratsiooni koguväärtus, mis on kindlaks tehtud vastavalt standardile EN792:

- Tekitav vibratsioon ( $a_{h1}$ ): 2,52 m/s<sup>2</sup>
- Ebatäpsus (K): 1,26 m/s<sup>2</sup>



- Esitatud tekitatava vibratsiooni väärtus on mõõdetud vastavalt standardsele testimismeetodile ja seda võib kasutada tööriistade võrdlemisel.
- Esitatud vibratsiooni väärtust võib kasutada ka tingimuste eelhindamisel.

**⚠ HOIATUS:**

- Elektritööriista tegelikul kasutamisel tekkiv vibratsioon võib erineda esitatud vibratsiooni väärtusest sõltuvalt tööriista kasutamiseviisist.
- Tehke kindlaks kasutajat kaitsvad ohutusmeetmed, mis põhinevad vibratsiooni hindamisel tegelike kasutustingimuste korral (võttes arvesse kõiki kasutustsükli osi, nt lisaks tegelikule naelutamisele ka aegu, mil tööriist on välja lülitatud või töötab tühikäigul).

ENH101-15

## Ainult Euroopa riikides

### EÜ vastavusavaldus

#### **Makita Corporation deklareerib vastutava tootjana, et järgmine/järgmised Makita seade/seadmed:**

Seadme tähis: Ehitusnaelapüstol

Mudel nr / Tüüp: AN902

on seeriatootmises ja

vastab/vastavad järgmistele Euroopa direktiividele:

2006/42/EC

ning on toodetud vastavalt järgmistele standarditele ja standardiseeritud dokumentidele:

EN792

Tehnilist dokumentatsiooni hoiab meie Euroopa volitatud esindaja:

Makita International Europe Ltd.

Michigan Drive, Tongwell,

Milton Keynes, Bucks MK15 8JD, England

29.3.2011



Tomoyasu Kato

Direktor

Makita Corporation

3-11-8, Sumiyoshi-cho,

Anjo, Aichi, 446-8502, JAPAN

**Объяснения общего плана**

1 Масло для пневматических инструментов	8 Крышка магазина	17 Небольшой штырь
2 Регулятор	9 Опорная пластина	18 Дренажная пробка
3 Выступ	10 Градуировка	19 Воздушный фильтр
4 Отверстие	11 Зуб грейфера	20 Масленка
5 Переходная насадка	12 Штуцер подачи воздуха	21 Масло для пневмоинструмента
6 Дверка	13 Воздушный патрубок	
7 Рычаг с предохранительной защелкой	14 Курковый выключатель	
	15 Рычаг переключения режимов	
	16 Молоток	

**ТЕХНИЧЕСКИЕ ХАРАКТЕРИСТИКИ**

Модель	AN902
Давление воздуха	0,49 – 0,83 МПа (4,9 – 8,3 бар)
Длина гвоздя	Скрепленный проволокой барабанный магазин 45 мм – 90 мм
Емкость гвоздей	150 – 300 шт
Мин. диаметр шланга	6,5 мм
Масло для пневматических инструментов	Турбинное масло
Размеры (Д x Ш x В)	318 мм x 128 мм x 378 мм
Вес нетто	3,5 кг

- Благодаря нашей постоянно действующей программе исследований и разработок, указанные здесь технические характеристики могут быть изменены без предварительного уведомления.
- Технические характеристики могут различаться в зависимости от страны.
- Масса в соответствии с процедурой EPTA 01/2003

ENE059-1

**Использование по назначению**

Данный инструмент предназначен для подготовительных внутренних работ, таких как крепление балок пола и элементов стропильных конструкций, а также для сборки каркасных конструкций домов из бруса сечением 2 x 4 дюйма.

ENB090-4

**ВАЖНЫЕ ИНСТРУКЦИИ ПО ТЕХНИКЕ БЕЗОПАСНОСТИ**

**ПРЕДОСТЕРЕЖЕНИЕ: ПРИ ЭКСПЛУАТАЦИИ СОБЛЮДАЙТЕ ОСНОВНЫЕ ПРАВИЛА ЭКСПЛУАТАЦИИ, ЧТОБЫ СНИЗИТЬ СТЕПЕНЬ РИСКА ТРАВМАТИЗМА, ВКЛЮЧАЯ:**

**ПРОЧИТАЙТЕ ВСЕ ИНСТРУКЦИИ.**

- С целью обеспечения личной безопасности, надлежащей эксплуатации и технического обслуживания инструмента перед началом работ с инструментом прочитайте инструкцию по эксплуатации.
- Для защиты глаз от пыли и осколков всегда пользуйтесь защитными очками.

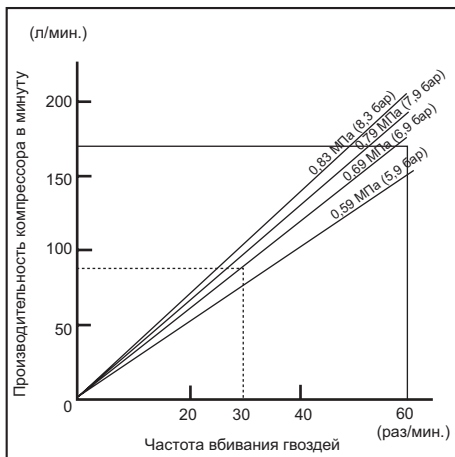
**ПРЕДОСТЕРЕЖЕНИЕ:**  
Ответственность за использование средств защиты операторами и другим персоналом вблизи рабочей зоны возлагается на работодателя.

- Для защиты органов слуха используйте наушники, а также носите защитные головные уборы. Носите свободную, но не висящую одежду. Застегивайте или закатывайте рукава. Не носите галстук.
- Выполнение работы вполыхах или излишнее давление на инструмент опасны. Осторожно обращайтесь с инструментом. Не эксплуатируйте инструмент, если находитесь под воздействием алкоголя, седативных средств и им аналогичных веществ.
- Общие правила обращения с инструментом:
  1. Всегда предполагайте, что в инструмент заряжен крепеж.
  2. Не направляйте инструмент на себя или окружающих, независимо от того, есть в нем крепеж или нет.
  3. Не включайте инструмент, если он не пришат хорошо к детали.
  4. Относитесь к инструменту, как к орудию труда.
  5. Не играйте с ним.
  6. Не держите и не переносите инструмент, держа палец на выключателе.
  7. Не загружайте крепеж в инструмент, если включен какой-либо из органов управления.
  8. Не эксплуатируйте инструмент с питанием от какого-либо иного источника, кроме того, что указан в инструкции по эксплуатации или инструкциях по технике безопасности.
- Не эксплуатируйте неисправный инструмент.
- Иногда при эксплуатации инструмент может возникать искрение. Не используйте инструмент вблизи летучих, горючих материалов, таких как бензин, растворитель, краска, газ, клеи и т. д., т. к. они могут воспламениться и взорваться, причинив серьезный вред здоровью.

- Для обеспечения безопасной эксплуатации рабочая зона должна быть хорошо освещена. Содержите рабочую зону в чистоте. При выполнении работ всегда занимайте устойчивое положение.
- В непосредственной близости от места работ должен находиться только персонал, связанный с выполнением работ. Ни при каких обстоятельствах не подпускайте к инструменту детей.
- В том случае, если есть местные нормативы в отношении уровня шума, то соблюдайте их, чтобы поддерживать уровень шума в допустимых значениях. В некоторых случаях для снижения уровня шума необходимо использовать жалюзи.
- Не играйте с контактным элементом: чтобы не допустить случайного разряда, держите его включенным и не вынимайте из инструмента. Блокирование куркового выключателя во включенном также весьма опасно. Никогда не фиксируйте выключатель. Не эксплуатируйте инструмент при неисправности, отсоединении, изменении или нарушении работоспособности какого-либо элемента управления.
- Эксплуатируйте инструмент с указанным давлением воздуха 0,49 – 0,83 МПа (4,9 – 8,3 бар), чтобы обеспечить его безопасную работу и долгий срок службы. Не превышайте рекомендованного максимального рабочего давления 0,83 МПа (8,3 бар). Не подключайте инструмент к источнику с давлением выше 1,37 МПа (13,7 бар).
- Убедитесь в том, что давление подаваемого компрессором воздуха не превышает максимального допустимого давления инструмента для забивания крепежа. Сначала настройте давление воздуха на давление ниже рекомендованного допустимого (см. "ТЕХНИЧЕСКИЕ ХАРАКТЕРИСТИКИ").
- Эксплуатируйте инструмент только от сжатого воздуха. Использование сжиженного газа (углекислого, кислорода, азота, водорода, воздуха и т. д.) или горючего газа (водорода, пропана, ацетилена и т. д.) в качестве источника питания приведет к взрыву инструмента и серьезным травмам.
- Перед использованием инструмента всегда проверяйте его состояние и отсутствие ослабленных винтов. При необходимости, затяните винты.
- Перед началом эксплуатации проверьте работоспособность всех систем защиты. Инструмент не должен работать, если нажат только курковый выключатель или только контактный рычаг прижат к дереву. Он должен работать при выполнении обоих этих условий. Проверьте инструмент на возможные неисправности без загрузки в него гвоздей и при полностью отведенном толкателе.
- Тщательно проверьте стены, потолок, полы, кровлю и т. д., чтобы не допустить поражения электрически током, утечки газа, взрыва и т. д. вследствие перерезания проводов, трубопроводов и газовых труб.
- Используйте только те гвозди, которые указаны в настоящем руководстве. Использование других гвоздей может вызвать неисправность инструмента.
- Никогда не используйте инструменты для забивания крепежа, снабженные надписью "Не работайте на строительных лесах или лестницах.", в следующих случаях:
  - если для перехода с одного места проведения работ к другому требуется воспользоваться лесами, лестницами, стремянками и им подобными конструкциями, например, обрешеткой крыши;
  - при закрытии коробок и ящиков;
  - для установки систем защиты на транспортных средствах, например, автомобилях или автофургонах.
- Не разрешайте эксплуатировать инструмент необученному персоналу.
- Перед забиванием гвоздей убедитесь в том, что вблизи места проведения работ нет людей. Никогда не забивайте гвозди одновременно с внутренней и внешней стороны. Гвозди могут пройти насквозь детали и/или отлететь, представляя собой смертельную опасность.
- Работая с инструментами всегда следите за тем, чтобы ваше положение было устойчиво. Работая на высоте убедитесь в том, что под вами нет людей и хорошо закрепите воздушный шланг, чтобы исключить его случайное подергивание или зацепление.
- Работая на крышах и других расположенных на высоте местах, забивайте гвозди, одновременно передвигаясь вперед. Вы можете легко потерять опору, если будет забивать гвозди, пятясь назад. При забивании гвоздей в перпендикулярную поверхность выполняйте работу сверху вниз. В данном случае вы устанете меньше.
- Гвоздь согнется или инструмент заклинит, если вы по ошибке попытаетесь забить гвоздь поверх другого гвоздя или в сучок. Гвоздь может отскочить и попасть в кого-нибудь или может отскочить сам инструмент, что также опасно. Осторожно заряжайте гвозди.
- Не оставляйте заряженный инструмент или воздушный компрессор под давлением на солнце в течение длительного времени. Примите меры к тому, чтобы пыль, песок, стружка и иные посторонние предметы не попали в инструмент в том месте, где вы выполняете его настройку.
- Не направляйте выходное отверстие инструмента на близко стоящих людей. Не направляйте выходное отверстие на руки или ноги.
- После подключения воздушного шланга не переносите инструмент, держа палец на выключателе, и не передавайте его кому-нибудь. Случайный выстрел может быть очень опасен.
- Аккуратно обращайтесь с инструментом, поскольку высокое давление внутри инструмента может быть опасным, если возникнут трещины в результате небрежного обращения (падения или удара). Не вырезайте и не высекайте ничего на инструменте.

## УСТАНОВКА

### Выбор компрессора



Воздушный компрессор должен соответствовать требованиям стандарта EN60335-2-34.

Подбирайте компрессор таким образом, чтобы он обеспечивал достаточное давление и производительность, необходимые для рентабельной эксплуатации. На диаграмме показана взаимосвязь между частотой забивания гвоздей, подходящим давлением и производительностью компрессора.

Таким образом, например, если частота забивания гвоздей составляет порядка 30 единиц в минуту с давлением 0,69 МПа (6,9 бар), то производительность компрессора должна составлять более 80 л/мин.

Используйте регуляторы давления, чтобы снизить давление воздуха до номинального давления инструмента в том случае, если давление подачи воздуха превышает номинальное давление инструмента. Несоблюдение этого требования может привести к серьезным травмам оператора или окружающего персонала.

### Выбор пневматического шланга (Рис. 1)

Для обеспечения непрерывной и эффективной эксплуатации гвоздезабивного инструмента используйте воздушные шланги как можно большего диаметра и как можно меньшей длины. Для давления воздуха 0,49 МПа (4,9 бар) рекомендуется использовать воздушный шланг с внутренним диаметром более 6,5 мм и длиной не более 20 м при интервале между каждым забиванием гвоздей 0,5 сек. Шланги подачи воздуха должны быть рассчитаны на минимальное рабочее давление 1,03 МПа (10,3 бар) или на 150 процентов максимального давления, возникающего в системе, в зависимости от того, какое значение больше.

### ⚠ ПРЕДУПРЕЖДЕНИЕ:

- Меньшее давление воздуха компрессора или более длинный или меньшего диаметра пневматический шланг могут привести к снижению частоты забивания гвоздей.

- Если заметите какие-либо неполадки в инструменте, немедленно прекратите забивать гвозди.
- Всегда отсоединяйте воздушный шланг и извлекайте все гвозди:
  - Оставляя без присмотра.
  - Перед выполнением обслуживания или ремонта.
  - Перед устранением заедания.
  - Перед переносом инструмента в другое место.
- Выполняйте чистку и обслуживание инструмента сразу после окончания работ. Содержите инструмент в хорошем техническом состоянии. Для предотвращения ржавления и снижения степени износа трущихся частей смазывайте движущиеся детали. Очищайте части инструмента от пыли.
- Вносить изменения в конструкцию инструмента без разрешения компании Makita запрещено.
- Проводите периодическую проверку инструмента в авторизованном сервисном центре Makita.
- Для обеспечения БЕЗОПАСНОСТИ и НАДЕЖНОСТИ инструмента его обслуживание и ремонт должны выполняться в авторизованных сервисных центрах компании Makita с использованием только оригинальных запасных частей компании Makita.
- Используйте только то масло для пневматических инструментов, которое указано в настоящем руководстве.
- Ни в коем случае не подсоединяйте инструмент к линии подачи сжатого воздуха, на которой давление воздуха может превысить допустимый диапазон давления воздуха, указанный в таблице "ТЕХНИЧЕСКИЕ ХАРАКТЕРИСТИКИ", на 10%.
- Инструменты для забивания крепежа, работающие от сжатого воздуха, следует использовать только при наименьшем применяемом давлении, необходимом для процесса работы, чтобы предотвратить нежелательный высокий уровень шума, повышенный износ и вызванные этим неисправности.
- Не фиксируйте контактный элемент выключателя при помощи липкой ленты или проволоки. Опасность смертельной или тяжелой травмы!
- Всегда выполняйте проверку контактного элемента так, как указано в данном руководстве. При нарушении работоспособности предохранительного механизма возможен случайный выстрел гвоздем.

## СОХРАНИТЕ ДАННЫЕ ИНСТРУКЦИИ.

## Смазка

Для обеспечения максимальной производительности установите комплект воздушного оборудования (лубрикатор, регулятор, воздушный фильтр) как можно ближе к инструменту. Отрегулируйте лубрикатор так, чтобы расход масла составлял одну каплю на каждые 30 гвоздей. (Рис. 2)

Если комплект для сжатого воздуха не используется, смажьте инструмент маслом для пневмоинструмента, капнув 2 или 3 капли масла в штуцер подачи воздуха инструмента. Это должно быть сделано до и после использования. Для надлежащей смазки инструмента необходимо пару раз нажать на курковый выключатель после смазки. (Рис. 3)

## ОПИСАНИЕ ФУНКЦИОНИРОВАНИЯ

### ⚠ ПРЕДУПРЕЖДЕНИЕ:

- Перед выполнением регулировки или проверки инструмента всегда отсоединяйте воздушный шланг.

### Регулировка глубины забивания (Рис. 4)

Чтобы подрегулировать глубину забивания, поверните регулятор. Наибольшая глубина забивания гвоздей получается при повороте регулятора полностью в направлении А, показанном на рисунке. Она уменьшается при повороте регулятора в направлении В. Если гвозди забиваются недостаточно глубоко, даже при полном повороте регулятора в направлении А, увеличьте давление воздуха. Если гвозди забиваются слишком глубоко, даже при полном повороте регулятора в направлении В, уменьшите давление воздуха. В общем случае срок службы инструмента увеличивается при использовании инструмента при более низком давлении воздуха и при установке регулятора на меньшую глубину забивки гвоздей.

### ⚠ ПРЕДУПРЕЖДЕНИЕ:

- Перед выполнением настройки глубины забивания всегда отсоединяйте шланг.

### Использование переходной насадки (рис. 5)

#### ⚠ ПРЕДУПРЕЖДЕНИЕ:

- Перед установкой и снятием переходной насадки следует обязательно отсоединять пневматический шланг от инструмента.

Если поверхность детали необходимо защитить от повреждений, установите переходную насадку контактного элемента.

При забивке гвоздей в детали с легко повреждаемыми поверхностями следует использовать переходную насадку. Для установки переходной насадки ее следует надеть на контактный элемент таким образом, чтобы три выступа, имеющиеся на внутренней поверхности насадки, вошли в отверстия в контактном элементе.

## МОНТАЖ

### ⚠ ПРЕДУПРЕЖДЕНИЕ:

- Обязательно отсоединяйте воздушный шланг перед выполнением любых работ с инструментом.

## Загрузка гвоздей

Выберите гвозди, подходящие для Вашей работы. Отожмите рычаг с предохранительной защелкой и откройте дверку. После этого откройте крышку магазина. (Рис. 6)

Поднимите и поверните опорную пластину спирали, чтобы стрелка указателя размера гвоздя на опорной пластине указывала на соответствующее деление магазина. Эксплуатация инструмента с неправильно настроенным шагом опорной пластины спирали может привести к нарушению подачи гвоздей или неисправности инструмента. (Рис. 7)

Поместите бобину с гвоздями на опорную пластину. Отмотайте достаточное количество ленты, чтобы она доставала до зуба рейфера. Установите первый гвоздь в канал подачи, а второй гвоздь на зуб рейфера. Установите остальные отмотанные гвозди в корпус устройства подачи. Закройте крышку магазина, предварительно проверив правильность установки бобины с гвоздями в магазине. (Рис. 8)

### Подключение пневматического шланга (Рис. 9)

Наденьте патрубок воздушного шланга на штуцер подачи воздуха гвоздезабивателя. Убедитесь, что патрубок зафиксирован на месте и установлен на штуцере инструмента. На инструменте или в непосредственной близости от него должно быть установлено соединение шланга таким образом, чтобы давление воздуха в емкости можно было спустить при отсоединении муфты подачи воздуха.

## ЭКСПЛУАТАЦИЯ

### ⚠ ПРЕДУПРЕЖДЕНИЕ:

- Перед началом эксплуатации проверьте работоспособность всех систем защиты.

### Непрерывный режим забивания гвоздей

Поверните рычаг переключения режимов в положение III, удерживая в нажатом положении кнопку, расположенную на противоположной стороне рычага. (Рис. 10 и 11)

1. Для того, чтобы забить гвоздь, расположите контактный элемент на детали и нажмите курковый выключатель.
  2. Сначала нажмите курковый выключатель, а затем расположите контактный элемент на детали.
- Используйте способ 1 для забивания отдельных гвоздей, когда необходимо выполнять операцию осторожно и аккуратно. Используйте способ 2 для непрерывного забивания гвоздей.

### ⚠ ПРЕДУПРЕЖДЕНИЕ:

- Функционирование инструмента без гвоздей сокращает срок службы инструмента и его следует избегать.

### Последовательный (периодический) режим забивания гвоздей (рис. 12)

Поверните рычаг переключения режимов в положение I, удерживая в нажатом положении кнопку, расположенную на противоположной стороне рычага.

Для забивания гвоздей Вы можете расположить контактный элемент перед рабочей поверхностью и нажать курковый выключатель.

### **⚠ ПРЕДУПРЕЖДЕНИЕ:**

- ПРИ НАХОЖДЕНИИ КУРКОВОГО ВЫКЛЮЧАТЕЛЯ В НАПОЛОВИНУ НАЖАТОМ ПОЛОЖЕНИИ может произойти неожиданное забивание гвоздей, если контактный элемент повторно соприкоснется с рабочей поверхностью или другой поверхностью под воздействием отдачи. Для предотвращения непредвиденного забивания гвоздей выполните следующие действия:
  - A. Не располагайте контактный элемент на рабочем изделии с чрезмерным усилием.
  - B. Полностью нажмите курковый выключатель и удерживайте его в течение 1 – 2 секунд после забивания гвоздей.
- Не следует включать инструмент, не заряженный гвоздями, поскольку это сокращает срок его службы.

### **Гвоздезабиватель с застрявшим гвоздем (Рис. 13)**

#### **⚠ ПРЕДУПРЕЖДЕНИЕ:**

- Перед устраниением заедания всегда отсоединяйте воздушный шланг и извлеките гвозди из магазина.

При заедании гвоздезабивного инструмента выполните следующие операции:

Откройте крышку магазина и извлеките спираль с гвоздями. Вставьте небольшой штырь или ему подобный инструмент в отверстие выброса и ударяйте по нему молотком, чтобы извлечь заевший гвоздь из отверстия. Установите спираль с гвоздями на место, закройте крышку магазина.

### **Гвозди**

Аккуратно обращайтесь с бобиной с гвоздями и упаковкой. В случае неаккуратного обращения с бобиной с гвоздями они могут деформироваться или же может сломаться их соединитель, что приведет к нарушению подачи гвоздей. (Рис. 14)  
Не храните гвозди в очень влажных или жарких местах, а также в местах, подверженных воздействию прямого солнечного света. (Рис. 15)

## **ТЕХОБСЛУЖИВАНИЕ**

### **⚠ ПРЕДУПРЕЖДЕНИЕ:**

- Перед проверкой или техническим обслуживанием всегда отсоединяйте воздушный шланг от инструмента.
- Запрещается использовать для очистки инструмента бензин, бензол, растворители, спирт и т. д. Невыполнение этого требования может привести к обесцвечиванию, деформированию или растрескиванию деталей инструмента.

### **Техническое обслуживание гвоздезабивного инструмента**

Перед работой обязательно проверяйте общее состояние инструмента и степень закручивания винтов. В случае необходимости завинтите. (Рис. 16)  
При отсоединенном инструменте ежедневно проверяйте, свободно ли движутся контактный элемент и курковый выключатель. Не используйте инструмент, если контактный элемент или курковый выключатель застревают или зажимаются. (Рис. 17)  
Если инструмент не будет использоваться в течение длительного промежутка времени, смажьте его с помощью масла для пневматических инструментов и храните в безопасном месте. Избегайте воздействия прямых солнечных лучей и/или влажной или жаркой среды. (Рис. 18 и 19)

### **Обслуживание компрессора, комплекта для воздуха и пневматического шланга**

После эксплуатации всегда опорожняйте емкость компрессора и воздушный фильтр. Попадание влаги в инструмент может привести к нарушению его работы и возможному выходу из строя. (Рис. 20 и 21)  
Регулярно проверяйте наличие достаточного количества масла в масляни пневматического комплекта. Отсутствие достаточной смазки приведет к быстрому износу уплотнительных колец. (Рис. 22)  
Не допускайте воздействия на пневматический шланг высоких температур (выше 60°C) и химических веществ (растворители, концентрированные кислоты и щелочи). Прокладывайте шланги на расстоянии от препятствий, которые могут оказаться очень опасными во время работы. Шланги должны прокладываться на расстоянии от острых краев и мест, где они будут подвержены повреждению или истиранию. (Рис. 23)

Для обеспечения БЕЗОПАСНОСТИ и НАДЕЖНОСТИ оборудования, ремонт, любое другое техобслуживание или регулировку необходимо производить в уполномоченных сервис-центрах Makita, с использованием только сменных частей производства Makita.

## **ДОПОЛНИТЕЛЬНЫЕ ПРИНАДЛЕЖНОСТИ**

### **⚠ ПРЕДУПРЕЖДЕНИЕ:**

- Эти принадлежности или насадки рекомендуется использовать вместе с Вашим инструментом Makita, описанным в данном руководстве. Использование каких-либо других принадлежностей или насадок может представлять опасность получения травм. Используйте принадлежность или насадку только по указанному назначению.

Если Вам необходимо содействие в получении дополнительной информации по этим принадлежностям, свяжитесь со своим местным сервис-центром Makita.

- Гвозди
- Воздушные шланги
- Защитные очки

**ПРИМЕЧАНИЕ:**

- Некоторые из перечисленных принадлежностей могут входить в базовый комплект поставки инструмента, состав которого может меняться в зависимости от конкретного рынка.

ENG905-1

**Шум**

Типичный уровень взвешенного звукового давления (A), измеренный в соответствии с EN792:

Уровень звукового давления ( $L_{pA}$ ): 98,3 дБ (A)

Уровень звуковой мощности ( $L_{WA}$ ): 98,9 дБ (A)

Погрешность (K): 2,5 дБ (A)

**Используйте средства защиты слуха**

ENG904-2

**Вибрация**

Полная величина вибрации, определенная по стандарту EN792:

Полное виброускорение ( $a_n$ ): 2,52 м/с<sup>2</sup>

Погрешность (K): 1,26 м/с<sup>2</sup>

ENG901-1

- Указанные значения параметров виброускорения измерены в соответствии со стандартной методикой испытаний и могут использоваться для сравнения инструментов между собой.
- Указанное значение виброускорения может также использоваться для предварительной оценки вибрационной экспозиции.

**⚠ ПРЕДОСТЕРЕЖЕНИЕ:**

- Фактическая величина виброускорения зависит от способов применения инструмента и может отличаться от указанного значения.
- Следует принять меры по защите оператора от вибрации, основываясь на результатах оценки вибрационной экспозиции в реальных условиях применения инструмента (необходимо учитывать все этапы рабочего цикла; в частности, помимо времени, в течение которого курковый выключатель нажат, нужно учитывать время нахождения инструмента в выключенном состоянии и время работы в холостом режиме).

**Только для европейских стран**

**Декларация о соответствии ЕС**

**Makita Corporation, являясь ответственным производителем, заявляет, что следующие устройства Makita:**

Обозначение устройства:

Барабанный нейлер

Модель/Тип: AN902

являются серийной продукцией и

**Соответствует следующим директивам ЕС:**  
2006/42/ЕС

И изготовлены в соответствии со следующими стандартами или нормативными документами:

EN792

Техническая документация хранится у официального представителя в Европе:

Makita International Europe Ltd.

Michigan Drive, Tongwell,

Milton Keynes, Bucks MK15 8JD, England

29.3.2011



Tomoyasu Kato

Директор

Makita Corporation

3-11-8, Sumiyoshi-cho,  
Anjo, Aichi, 446-8502, JAPAN

**Objaśnienia do widoku ogólnego**

1 Olej do narzędzi pneumatycznych	8 Pokrywa magazynku	15 Dźwignia zmiany prędkości
2 Regulator	9 Wspornik zwoju	16 Młotek
3 Występ	10 Podziałka	17 Mały pret
4 Otwór	11 Zaczep podający	18 Zawór spustowy
5 Nasadka	12 Przyłącze przewodu pneumatycznego	19 Filtr powietrza
6 Drzwiczki	13 Gniazdo pneumatyczne	20 Olejarka
7 Dźwignia zatrasku	14 Spust	21 Olej do narzędzi pneumatycznych

**DANE TECHNICZNE**

Model	AN902
Ciśnienie powietrza	0,49 – 0,83 MPa (4,9 – 8,3 bar)
Długość gwoźdźcia	Gwoździe koletowane 45 mm – 90 mm
Pojemność magazynka	150 – 300 szt.
Min. średnica węża	6,5 mm
Olej do narzędzi pneumatycznych	Olej turbinowy
Wymiary (dł x szer x wys)	318 mm x 128 mm x 378 mm
Masa netto	3,5 kg

- Ze względu na ciągle prowadzone prace badawczo-rozwojowe, podane tu dane techniczne mogą ulec zmianie bez uprzedniego powiadomienia.
- W różnych krajach urządzenie może mieć odmienne parametry techniczne.
- Masa obliczona zgodnie z procedurą EPTA 01/2003

ENE059-1

**Przeznaczenie**

Narzędzie jest przeznaczone do wstępnych prac wewnętrznych, takich jak mocowanie legarów podłogowych lub krokwi zwykłych oraz wznoszenie konstrukcji drewnianych (2 cale x 4 cale).

ENB090-4

**WAŻNE ZASADY BEZPIECZEŃSTWA**

**OSTRZEŻENIE: PODCZAS UŻYTKOWANIA ELEKTRONARZĘDZI NALEŻY ZACHOWAĆ PODSTAWOWE ŚRODKI OSTROŻNOŚCI, ABY ZMNIEJSZYĆ RYZYKO WYPADKU:**

**PRZECZYTAĆ WSZYSTKIE INSTRUKCJE.**

- Aby zapewnić bezpieczeństwo użytkownika, właściwie działanie i konserwację narzędzia, należy przeczytać niniejszą instrukcję przed rozpoczęciem eksploatacji.
- Należy zawsze nosić okulary ochronne, aby chronić oczy przez pyłem i opiłkami.

**OSTRZEŻENIE:**

Obowiązkiem pracodawcy jest nakazanie stosowania środków ochrony wzroku przez operatorów narzędzi i inne osoby pracujące w pobliżu.

- Należy używać środków ochrony słuchu przed hałasem powodowanym przez narzędzie oraz stosować środki ochrony głowy. Należy również nosić lekką, ale nie luźną odzież. Rękawy powinny być zapięte lub podwiniete. Nie wolno nosić krawatów.
- Pracowanie w pośpiechu lub wymuszanie nadmiernej prędkości narzędzia jest niebezpieczne. Należy ostrożnie postępować z narzędziem. Nie obsługiwać narzędzia pod wpływem alkoholu, leków, środków psychotropowych itp.
- Ogólne wytyczne dotyczące eksploatacji narzędzia:
  1. Należy zawsze zakładać, że w narzędziu znajdują się gwoździe.
  2. Nie wolno kierować narzędzia w kierunku swoim lub innych osób, niezależnie od tego, czy znajdują się w nim gwoździe, czy też nie.
  3. Nie włączać narzędzia, jeśli nie opiera się ono pewnie o materiał roboczy.
  4. O narzędzie należy dbać tak, jak o inne urządzenia robocze.
  5. Narzędzie nie służy do zabawy.
  6. Nie trzymać ani nie przenosić narzędzia w palcem na spuście.
  7. Nie ładować gwoździ do narzędzia, jeśli włączony jest jeden z elementów sterujących.
  8. Nie stosować innego zasilania niż określone w instrukcjach obsługi/bezpieczeństwa narzędzia.
- Nie wolno używać niesprawnego narzędzia.
- Podczas pracy narzędzie wytwarza czasem iskry. Nie należy używać narzędzia w pobliżu lotnych, łatwopalnych materiałów, takich jak benzyna, rozcieńczalniki, farby, gaz, kleje, itp.; mogą one się zapalić i wybuchnąć, powodując poważne obrażenia.



- Obszar roboczy powinien być odpowiednio oświetlony, aby zapewnić bezpieczną pracę. Obszar roboczy powinien być czysty i wolny od śmieci. Należy zawsze zachowywać bezpieczną postawę i równowagę.
- W pobliżu powinny przebywać tylko osoby, które uczestniczą w pracach. Zwłaszcza dzieci nie powinny się zbliżać do narzędzia.
- Miejscowe przepisy mogą określać dopuszczalny poziom hałasu, którego należy przestrzegać. W określonych wypadkach może być konieczne stosowanie żaluzji do ograniczenia hałasu.
- Nie należy modyfikować elementu dociskowego: zapobiega on przypadkowemu uruchomieniu narzędzia, więc powinien być cały czas założony. Mocowanie spustu w pozycji WŁ jest również bardzo niebezpieczne. Nie wolno blokować spustu w żaden sposób. Nie wolno użytkować narzędzia, jeśli jeden z elementów sterujących narzędzia jest niesprawny, odłączony, zmodyfikowany lub nie działa prawidłowo.
- Należy utrzymywać określone ciśnienie powietrza: 0,49 – 0,83 MPa (4,9 – 8,3 bar), aby zapewnić bezpieczeństwo i dłuższą żywotność narzędzia. Nie wolno przekraczać zalecanego maksymalnego ciśnienia roboczego równego 0,83 MPa (8,3 bar). Nie należy podłączać narzędzia do źródła ciśnienia potencjalnie przekraczającego 1,37 MPa (13,7 bar).
- Należy sprawdzić, czy ciśnienie układu zasilania pneumatycznego nie przekracza maksymalnego dopuszczalnego ciśnienia narzędzia. Początkowo ustawić ciśnienie niższe niż zalecane dopuszczalne ciśnienie (patrz DANE TECHNICZNE).
- Nie wolno używać narzędzia z zasilaniem innym niż sprężone powietrze. Jeśli jako zasilanie narzędzia zostanie użyty gaz z butli (dwutlenek węgla, tlen, azot, wodór, powietrze, itp.), lub gaz palny (tlen, propan, acetylen, itp.), narzędzie wybuchnie i spowoduje poważne obrażenia.
- Przed eksploatacją należy zawsze sprawdzić ogólny stan narzędzia i obluźowane śruby. W razie potrzeby dokręcić śruby.
- Przed uruchomieniem upewnić się, że wszystkie zabezpieczenia działają prawidłowo. Narzędzie nie powinno działać, jeśli został naciśnięty tylko spust lub jeśli tylko ramię dociskowe naciska na drewno. Narzędzie powinno uruchamiać się tylko wtedy, gdy wykona się jednocześnie obie te czynności. Należy sprawdzić ewentualne usterki w działaniu, gdy gwoździe są rozładowane, a popychacz jest w pełni odciągnięty.
- Sprawdzić ściany, sufity, podłogi, pokrycie dachu itp., aby uniknąć porażenia prądem elektrycznym, wycieku gazu, wybuchu itp. spowodowanych przebiegiem przewodów pod napięciem, ciągów lub rur z gazem.
- Stosować tylko gwoździe określone w niniejszej instrukcji. Użycie innych gwoździ może spowodować usterkę narzędzia.
- Nie wolno używać gwoździarek oznaczonych symbolem „Nie stosować na rusztowaniach lub drabinach” w określonych sytuacjach, np.:
  - gdy zmiana jednej lokalizacji na drugą wymaga użycia rusztowania, schodów, drabin lub podobnych konstrukcji, np. lat dachowych;
  - przy zamykaniu skrzyń lub pudeł;
  - przy mocowaniu zabezpieczeń transportowych, np. na pojazdach lub wagonach.
- Nie wolno pozwalać, aby osoby niezaznajomione z nim korzystały z narzędzia.
- Należy się upewnić, że przy wbijaniu gwoździ nikogo nie ma w pobliżu. Nie wolno jednocześnie wbijać gwoździ z zewnątrz i od wewnątrz. Gwoździe mogą przebić materiał lub odbić się, stwarzając poważne zagrożenie.
- Pracując z narzędziem, należy zachować odpowiednie oparcie stóp i równowagę. Przy pracach na wysokości należy się upewnić, że nikt nie znajduje się poniżej; należy odpowiednio umocować waży pneumatyczny, aby zapobiec zagrożeniu w razie gwałtownego szarpnięcia lub pochwycenia.
- Na dachach i przy innych pracach na wysokościach wbijać gwoździe, posuwając się do przodu. Cofając się podczas pracy, bardzo łatwo stracić równowagę. Podczas wbijania gwoździ w powierzchnię prostopadłą należy się posuwać z góry na dół. Pozwala to uniknąć nadmiernego zmęczenia.
- Jeśli gwoźdź zostanie wbity w miejscu innego gwoździa lub sęka w drewnie, może się wygiąć lub narzędzie może się zaciąć. Gwoźdź może zostać odrzucony i kogoś trafić lub też samo narzędzie może odskoczyć w niebezpieczny sposób. Należy ostrożnie wbijać gwoździe.
- Nie wolno pozostawiać naładowanego narzędzia lub sprężarki pod ciśnieniem przez dłuższy czas w słońcu. Należy się upewnić, że w miejscu, gdzie zostanie odłożone narzędzie, nie dostanie się do niego kurz, piasek, wióry i inne zanieczyszczenia.
- Nie wolno kierować otworu wyrzutowego w stronę innych osób. Należy trzymać dłoń i stopy z dala od otworu wyrzutowego.
- Gdy waży pneumatyczny jest podłączony, nie należy przenosić narzędzia z palcem na spuście ani nie podawać go w takim stanie komuś innemu. Przypadkowe uruchomienie może być bardzo niebezpieczne.
- Należy ostrożnie obchodzić się z narzędziem, gdyż panujące w nim wysokie ciśnienie może być niebezpieczne, jeśli wskutek nieostrożności nastąpi pęknięcie obudowy (np. przy upadku lub uderzeniu). Nie wolno wyrzynać ani wycinać nic na narzędziu.
- Jeśli narzędzie wykazuje jakiegokolwiek nietypowe lub niepokojące objawy, należy natychmiast przerwać pracę.

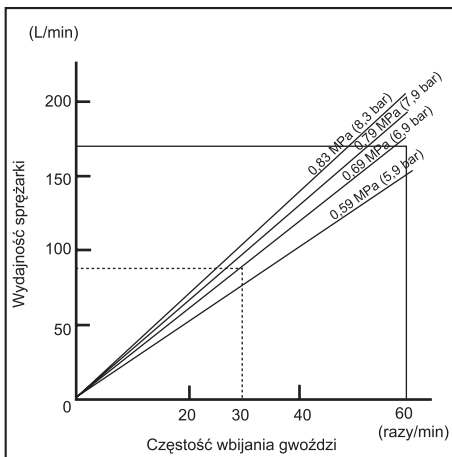
- Należy zawsze odłączyć wąż pneumatyczny i usunąć wszystkie gwoździe:

- Gdy narzędzie jest bez nadzoru.
  - Przed dokonaniem napraw lub konserwacji.
  - Przed usunięciem zacięcia.
  - Przed przeniesieniem narzędzia w inne miejsce.
- Tuż po zakończeniu pracy należy przeprowadzić czyszczenie i konserwację narzędzia. Narzędzie należy utrzymywać w nienagannym stanie. Należy smarować ruchome części, aby zapobiec korozji i zmniejszyć zużycie spowodowane tarciami. Wytrzeć kurz ze wszystkich części.
  - Nie modyfikować narzędzia bez upoważnienia firmy Makita.
  - Należy zlecić okresową kontrolę narzędzia w autoryzowanym punkcie serwisowym firmy Makita.
  - Aby zapewnić **BEZPIECZENSTWO** i **NIEZAWODNOŚĆ** narzędzia, wszelkie naprawy i prace konserwacyjne powinny być przeprowadzane przez autoryzowane punkty serwisowe firmy Makita, zawsze z użyciem części zamiennych firmy Makita.
  - Stosować tylko olej do narzędzi pneumatycznych określony w niniejszej instrukcji.
  - Nie wolno podłączać narzędzia do przewodu sprężonego powietrza, gdy ciśnienie powietrza może przekroczyć zakres dopuszczalnego ciśnienia narzędzia, określony w tabeli „DANE TECHNICZNE” o więcej niż 10%.
  - Wbijarki pneumatyczne powinny być zasilane najniższym ciśnieniem niezbędnym do danej czynności, co pozwala uniknąć nadmiernego hałasu, zwiększonego zużycia i wynikających z tego usterek.
  - Nie przytrzymywać spustu lub elementu dociskowego taśmą samoprzylepną lub drutem. Grozi to śmiercią lub poważnymi obrażeniami.
  - Należy zawsze sprawdzać element dociskowy, jak to podano w niniejszej instrukcji. Jeśli mechanizm zabezpieczający nie działa prawidłowo, może nastąpić przypadkowe wyrzucenie gwoździa.

## ZACHOWAĆ INSTRUKCJĘ OBSŁUGI.

## PODŁĄCZENIE

### Wybór sprężarki



Sprężarka powietrzna musi spełniać wymagania normy EN60335-2-34.

Wybrać sprężarkę, która posiada rezerwę ciśnienia i odpowiednią wydajność, aby zapewnić ekonomiczną eksploatację. Wykres pokazuje zależność pomiędzy częstością wbijania gwoździ, stosowanym ciśnieniem a wydajnością sprężarki.

Na przykład: jeśli gwoździe wbijane są z prędkością ok. 30 razy na minutę przy ciśnieniu 0,69 MPa (6,9 bar), wymagana jest sprężarka o wydajności ponad 80 l/min. Należy stosować regulatory ciśnienia, aby ograniczyć ciśnienie powietrza do ciśnienia nominalnego narzędzia, jeśli doprowadzone ciśnienie przekracza ciśnienie nominalne narzędzia. Nieprzestrzeganie tego zalecenia może prowadzić do poważnych obrażeń operatora narzędzia lub osób w jego pobliżu.

### Wybór węża pneumatycznego (rys. 1)

Należy stosować wąż pneumatyczny tak szeroki i tak krótki, jak to możliwe, aby zapewnić ciągłą i wydajną pracę. Przy ciśnieniu powietrza równym 0,49 MPa (4,9 bar) zaleca się wąż pneumatyczny o średnicy wewnętrznej ponad 6,5 mm oraz długości mniejszej niż 20 m, jeśli odstęp między wbijaniem wynosi 0,5 sekundy. Węże pneumatyczne powinny mieć minimalne ciśnienie robocze równe 1,03 MPa (10,3 bar) lub 150 procent maksymalnego ciśnienia wytwarzanego w układzie, w zależności od tego, która wartość jest wyższa.

### ⚠ PRZESTROGA:

- Niska wydajność sprężarki lub zbyt długi wąż pneumatyczny albo zbyt mała jego średnica w odniesieniu do częstości wbijania gwoździ może spowodować spadek wydajności narzędzia.

## Smarowanie

Aby zapewnić maksymalną wydajność, zespół regulujący (olejarka, regulator, filtr powietrza) powinien znajdować się jak najbliższej narzędzia. Należy tak nastawić olejarkę, aby kropla oleju była wpuszczana co 30 gwoździ. (rys. 2) Gdy nie jest stosowany zespół regulujący, należy przesmarować narzędzie olejem do narzędzi pneumatycznych umieszczając 2 (dwie) lub 3 (trzy) krople w przyłączy przewodu pneumatycznego. Należy to robić przed i po użyciu. Aby zapewnić odpowiednie smarowanie, należy uruchomić narzędzie kilka razy po wpuszczeniu oleju do narzędzi pneumatycznych. (rys. 3)

## OPIS DZIAŁANIA

### ⚠ PRZESTROGA:

- Należy zawsze odłączyć wąż pneumatyczny przed regulacją lub oględzinami narzędzia.

### Regulacja głębokości wbijania gwoździ (rys. 4)

Aby ustawić głębokość wbijania gwoździ, należy przekręcić regulator. Głębokość wbijania jest największa, gdy regulator jest przekręcony do końca w kierunku A pokazanym na rysunku. Głębokość zmniejsza się w miarę, jak regulator jest przekręcany w kierunku B. Jeśli gwoździe nie wbijają się na odpowiednią głębokość nawet wtedy, gdy regulator jest przekręcony całkowicie w kierunku A, należy zwiększyć ciśnienie powietrza. Jeśli gwoździe wbijają się zbyt głęboko nawet wtedy, gdy regulator jest przekręcony całkowicie w kierunku B, należy zmniejszyć ciśnienie powietrza. W zasadzie żywotność narzędzia będzie dłuższa, gdy urządzenie jest używane z niższym ciśnieniem powietrza i regulatorem ustawionym na niższą głębokość.

### ⚠ PRZESTROGA:

- Przed ustawieniem głębokości wbijania należy zawsze odłączyć wąż pneumatyczny.

### Stosowanie nasadki (rys. 5)

### ⚠ PRZESTROGA:

- Należy zawsze odłączyć wąż przed założeniem lub zdjęciem nasadki.

Jeśli należy chronić przed zniszczeniem powierzchni roboczą, na element dociskowy należy założyć nasadkę. Nasadkę należy stosować, gdy powierzchnie roboczą można łatwo uszkodzić. Aby założyć nasadkę na element dociskowy, należy wcisnąć ją na koniec elementu, aż występy w trzech miejscach nasadki wpasują się w trzy otwory w elemencie dociskowym.

## MONTAŻ

### ⚠ PRZESTROGA:

- Należy zawsze odłączyć wąż pneumatyczny przed rozpoczęciem jakichkolwiek prac na narzędziu.

### Ładowanie gwoździarki

Wybrać gwoździe odpowiednie do wykonywanej pracy. Nacisnąć dźwignię zatrzaśku i otworzyć drzwiczki. Następnie zdjąć pokrywę magazynku. (rys. 6) Umieścić i przekręcić wspornik zwoju, aż strzałka rozmiaru gwoździ na wsporniku zwoju będzie wskazywała odpowiedni znak na podziałce na magazynku. Użycie narzędzia ze wspornikiem zwoju ustawionym na niewłaściwy stopień może powodować nieodpowiednie podawanie gwoździ lub usterkę narzędzia. (rys. 7) Umieścić zwoj gwoździ na wsporniku zwoju. Odwinąć wystarczający odcinek zwoju, aby zahaczyć go o zaczep podający. Umieścić pierwszy gwoźdz w kanale prowadzącym, a drugi w zaczepie podającym. Umieścić pozostałe gwoździe z odwiniętego odcinka na korpusie podajnika. Zamknąć pokrywę magazynku po sprawdzeniu, czy zwoj gwoździ jest prawidłowo umieszczony w magazynku. (rys. 8)

### Podłączenie węża pneumatycznego (rys. 9)

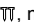
Wsunąć końcówkę węża pneumatycznego w przyłączy przewodu pneumatycznego na gwoździarce. Upewnić się, że gniazdo pneumatyczne jest pewnie umocowane w przyłączy przewodu pneumatycznego. Na lub w pobliżu narzędzia należy zamontować łącznik węża tak, aby zbiornik ciśnieniowy opróżniał się, gdy złącze pneumatyczne zostanie odłączone.

## EKSPLLOATACJA

### ⚠ PRZESTROGA:

- Przed uruchomieniem upewnić się, że wszystkie zabezpieczenia działają prawidłowo.

### Tryb pracy ciągłej

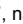
Przekręcić dźwignię w położenie , naciskając przycisk z drugiej strony dźwigni. (rys. 10 i 11)

- Aby wbić gwoźdz należy umieścić element dociskowy na powierzchni roboczej i pociągnąć za spust.
  - Najpierw nacisnąć spust, a następnie umieścić element dociskowy na powierzchni roboczej.
- Metoda pierwsza 1 jest przydatna do wbijania gwoździ z przerwami, gdy gwoźdz ma być wbity ostrożnie i bardzo precyzyjnie. Metoda druga wykorzystywana jest w pracy ciągłej.

### ⚠ PRZESTROGA:

- Uruchamianie narzędzia bez gwoździ skraca jego żywotność, więc należy tego unikać.

### Tryb pracy przerywanej (rys. 12)

Przekręcić dźwignię w położenie , naciskając przycisk z drugiej strony dźwigni.

Aby wbić gwoźdz należy umieścić element dociskowy na powierzchni roboczej i pociągnąć za spust.

### **⚠ PRZESTROGA:**

• GDY SPUST JEST PRZYTRZYMANY WCIŚNIĘTY DO POŁOWY, może nastąpić nieoczekiwane wystąpienie gwoźdźcia, jeśli pod wpływem odrzutu element dociskowy zetknie się z powierzchnią roboczą lub z inną powierzchnią. Aby uniknąć nieoczekiwane wystąpienie gwoźdźcia, należy zachować następujące środki ostrożności:

- Nie naciskać elementem dociskowym do materiału roboczego ze zbyt wielką siłą.
- Pociągnąć do końca za spust i przytrzymać go przez 1 – 2 sekundy po wystąpieniu.

• Uruchamianie narzędzia bez gwoździ skraca jego żywotność, więc należy tego unikać.

### **Zacięcie gwoździarki (rys. 13)**

#### **⚠ PRZESTROGA:**

• Przed usunięciem zacięcia należy zawsze odłączyć wąż pneumatyczny i usunąć wszystkie gwoździe z magazynku.

Gdy gwoździarka się zatnie, należy wykonać następujące czynności:

Otworzyć pokrywę magazynku i wyjąć zwój gwoździ. Wsunąć mały pręt itp. w otwór wyrzutowy i wbić go młotkiem, aby wysunąć zacięty gwoździec z otworu. Ponownie założyć zwój gwoździ i zamknąć pokrywę magazynku.

#### **Gwoździe**

Należy ostrożnie obchodzić się ze zwojami gwoździ i ich opakowaniem. W przypadku nieostrożnego postępowania ze zwojami mogą one się odkształcić lub ich łączniki mogą się przerwać, co utrudni podawanie zwoju. (rys. 14)

Należy unikać przechowywania gwoździ w bardzo wilgotnym lub gorącym miejscu lub w miejscu wystawionym na bezpośrednie działanie promieni słonecznych. (rys. 15)

### **KONSERWACJA**

#### **⚠ PRZESTROGA:**

• Przed przystąpieniem do przeglądu urządzenia lub jego konserwacji należy zawsze odłączyć wąż pneumatyczny.

• Nie wolno stosować benzyny, rozpuszczalników, alkoholu itp. środków. Substancje te mogą spowodować odbarwienia, odkształcenia lub pęknięcia.

#### **Konserwacja gwoździarki**

Przed eksploatacją należy zawsze sprawdzić ogólny stan narzędzia i obłuzowane śruby. W razie potrzeby dokręcić śruby. (rys. 16)

Należy codziennie przeprowadzać oględziny (gdy narzędzie jest odłączone), aby sprawdzić, czy element dociskowy i spust poruszają się swobodnie. Nie używać narzędzia, jeśli element dociskowy lub spust zacina się lub blokuje. (rys. 17)

Jeśli narzędzie nie będzie używane przez dłuższy czas, należy nasmarować je przy użyciu oleju do narzędzi pneumatycznych i odłożyć w bezpieczne miejsce. Należy unikać miejsc z bezpośrednim nasłonecznieniem oraz wilgotnego lub gorącego otoczenia. (rys. 18 i 19)

#### **Konserwacja sprężarki, zespołu regulującego oraz węża pneumatycznego**

Po zakończeniu pracy należy zawsze opróżnić zbiornik sprężarki i filtr powietrza. Jeśli do narzędzia dostanie się wilgoć, może to spowodować pogorszenie wydajności, a nawet usterkę narzędzia. (rys. 20 i 21)

Regularnie sprawdzać, czy w olejance układu regulującego jest wystarczająca ilość oleju. Niewystarczające smarowanie spowoduje szybkie zużycie pierścieni uszczelniających. (rys. 22)

Waż pneumatyczny trzymać z dala od wysokich temperatur (ponad 60°C), chemikaliów (rozpuszczalniki, silne kwasy lub zasady). Waż należy przeprowadzić z dala od przeszkód, które podczas pracy mogłyby go zakleszczyć. Wężę należy również prowadzić z dala od ostrych krawędzi i obszarów, w których mogą ulec przetarciu lub uszkodzeniu. (rys. 23)

Aby zapewnić BEZPIECZEŃSTWO i NIEZAWODNOŚĆ narzędzia, wszelkie naprawy i prace konserwacyjne powinny być przeprowadzane przez autoryzowane punkty serwisowe firmy Makita, zawsze z użyciem części zamiennych firmy Makita.

### **WYPOSAŻENIE DODATKOWE**

#### **⚠ PRZESTROGA:**

• Zaleca się stosowanie następujących akcesoriów lub przystawek z narzędziem Makita opisanym w niniejszej instrukcji. Stosowanie innych akcesoriów lub przystawek grozi wypadkiem. Akcesoria lub przystawki należy wykorzystywać tylko zgodnie z przeznaczeniem.

Więcej szczegółów na temat opisywanego wyposażenia dodatkowego można uzyskać w lokalnym punkcie serwisowym narzędzi Makita.

- Gwoździe
- Wężę pneumatyczne
- Okulary ochronne

#### **UWAGA:**

• Niektóre z pozycji mogą być dołączone do opakowania narzędzia jako wyposażenie standardowe. Wyposażenie dodatkowe może się różnić w zależności od kraju.

ENG905-1

#### **Hałas**

Typowy ważony poziom hałasu A, określony zgodnie z normą EN792:

Poziom ciśnienia akustycznego ( $L_{pA}$ ): 98,3 dB (A)

Poziom mocy akustycznej ( $L_{WA}$ ): 98,9 dB (A)

Niepewność (K): 2,5 dB (A)

**Należy nosić środki ochrony słuchu**

ENG904-2

#### **Drgania**

Łączna wartość drgań określona zgodnie z normą EN792:

Emisja drgań ( $a_{h1}$ ): 2,52 m/s<sup>2</sup>

Niepewność (K): 1,26 m/s<sup>2</sup>

- Deklarowana wartość wytwarzanych drgań została zmierzona zgodnie ze standardową metodą testową i można ją wykorzystać do porównywania narzędzi.
- Deklarowaną wartość wytwarzanych drgań można także wykorzystać we wstępnej ocenie narażenia.

**⚠️ OSTRZEŻENIE:**

- Drgania wytwarzane podczas rzeczywistego użytkowania elektronarzędzia mogą się różnić od wartości deklarowanej, w zależności od sposobu jego użytkowania.
- W oparciu o szacowane narażenie w rzeczywistych warunkach użytkowania należy określić środki bezpieczeństwa w celu ochrony operatora (uwzględniając wszystkie elementy cyklu działania, tj. czas, kiedy narzędzie jest wyłączone i kiedy pracuje na biegu jałowym, a także czas, kiedy jest włączone).

ENH101-15

**Dotyczy tylko krajów europejskich**

**Deklaracja zgodności CE**

**Niniejszym firma Makita Corporation, jako odpowiedzialny producent, oświadcza, że opisywane urządzenia marki Makita:**

Oznaczenie urządzenia:

Gwoździarka pneumatyczna

Nr modelu/typ: AN902

są produkowane seryjnie oraz

**spełniają następujące dyrektywy europejskie:**

2006/42/EC

i są produkowane zgodnie z następującymi normami lub dokumentami normalizacyjnymi:

EN792

Dokumentacja techniczna przechowywana jest przez naszego autoryzowanego przedstawiciela na Europę, którym jest:

Makita International Europe Ltd.

Michigan Drive, Tongwell,

Milton Keynes, Bucks MK15 8JD, Wielka Brytania

29.3.2011



Tomoyasu Kato

Dyrektor

Makita Corporation

3-11-8, Sumiyoshi-cho,

Anjo, Aichi, 446-8502, JAPAN

**Vysvětlivky k obrázkům**

1 Olej pro pneumatiké nářadí	8 Víko zásobníku	15 Přepínací páčka
2 Nastavovací kolečko	9 Dno zásobníku	16 Kladio
3 Výstupek	10 Stupnice zásobníku	17 Malá tyčka
4 Otvor	11 Čelist podavače	18 Vypouštěcí kohout
5 Adaptér nástavce	12 Připojovací vsuvka	19 Čistič vzduchu
6 Dvířka	13 Připojovací hrdlo	20 Maznice
7 Západková páčka	14 Spoušť	21 Olej

**TECHNICKÉ PARAMETRY**

Model	AN902
Tlak vzduchu	0,49 – 0,83 MPa (4,9 – 8,3 bar)
Délka hřebíků	Hřebík spojený drátem 45 mm – 90 mm
Kapacita hřebíků	150 – 300 kusů
Min. průměr hadice	6,5 mm
Olej pro pneumatiké nářadí	Turbinový olej
Rozměry (D x Š x V)	318 mm x 128 mm x 378 mm
Hmotnost	3,5 kg

- Vzhledem k pokračujícímu programu výzkumu a vývoje se zde uvedené technické podmínky mohou měnit bez předchozího upozornění.
- Technické parametry se mohou v jednotlivých zemích lišit.
- Údaj o hmotnosti je v souladu s EPTA-Procedure 01/2003

ENE059-1

**Předpokládané použití**

Nářadí je určeno pro přípravné práce ve vnitřních prostorách, jako je např. k upevnění podlahových polštářů nebo krokví a dřevěných konstrukcí o rozměrech 2" x 4".

ENB090-4

**DŮLEŽITÉ BEZPEČNOSTNÍ POKYNY**

**VAROVÁNÍ: PŘI POUŽÍVÁNÍ TOHOTO NÁŘADÍ JE TŘEBA K MINIMALIZACI NEBEZPEČÍ PORANĚNÍ OSOB DODRŽOVAT ZÁKLADNÍ BEZPEČNOSTNÍ PŘEDPISY VČETNĚ NÁSLEDUJÍCÍCH POKYNŮ:**

**PŘEČTĚTE SI VŠECHNY POKYNY.**

- K zajištění osobní bezpečnosti a správného provozu a údržby nářadí je třeba si před jeho použitím přečíst tento návod k obsluze.
- K ochraně očí před prachem nebo před poraněním hřebíky vždy noste ochranné brýle.  
VAROVÁNÍ:  
Zaměstnavatel je zodpovědný za zajištění používání bezpečnostní ochrany zraku uživateli nářadí a dalšími osobami v bezprostřední blízkosti pracoviště.
- K ochraně sluchu před hlukem výfuku a kvůli ochraně hlavy noste ochranu sluchu. Rovněž noste lehký, ne však volný oděv. Rukávy by měly být zapnuty nebo vyrolovány nahoru. Neměla by se nosit kravata.

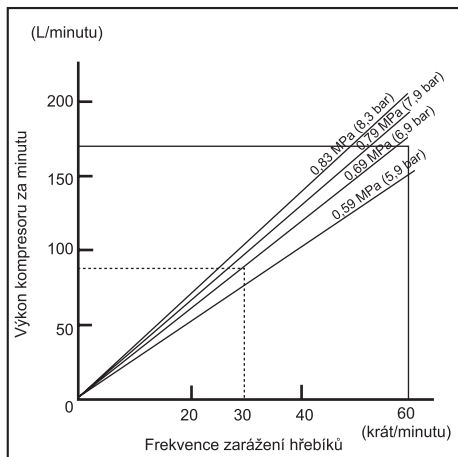
- Spěch při práci nebo vyvíjení síly při používání nářadí jsou nebezpečné. S nářadím zacházejte opatrně. Nářadí nepoužívejte pod vlivem alkoholu, návykových látek apod.
- Obecné zásady pro manipulaci s nářadím:
  1. Vždy vycházejte z toho, že nářadí obsahuje hřebíky.
  2. Nikdy nářadím nesměřujte na sebe samotné nebo na jiné osoby, ať již obsahuje hřebíky nebo ne.
  3. Nářadí uvádějte v činnost pouze tehdy, když je pevně umístěno na pracovním místě.
  4. K nářadí se chovejte jako k pracovnímu prostředku.
  5. Zbytečně s nářadím nemanipulujte.
  6. Nářadí nedržte nebo nepřehánějte s prstem na spoušti.
  7. Do nářadí nevkládejte hřebíky, je-li aktivní některý z ovládacích prvků.
  8. Nářadí používejte jen se zdrojem energie uvedeným v provozních/bezpečnostních pokynech k nářadí.
- Nářadí nepoužívejte, pokud nefunguje správně.
- Při používání nářadí někdy mohou odlétávat jiskry. Nářadí nepoužívejte v blízkosti těkavých hořlavých látek, jako je např. benzín, ředidlo, lak, plyn, lepidlo apod., protože by se mohly vznítit a vybuchnout a způsobit tak vážná zranění.
- Pracoviště by mělo být dostatečně osvětlené, aby byla zajištěna bezpečnost práce. Pracoviště by mělo být čisté a bez odpadků. Vždy dbejte na to, abyste pevně stáli a udržovali rovnováhu.
- V blízkosti pracoviště by se měly nacházet pouze osoby pověřené prací. Zejména děti musí být vždy mimo dosah pracoviště.
- Je třeba se řídit místními předpisy k ochraně proti hluku tím, že budete zachovávat hladinu hluku v rámci předepsaných mezí. V některých případech je třeba k utlumení hluku použít rolety.

- Nehrajte si s kontaktní patkou: brání nechtěnému spuštění, takže musí zůstat na místě a nesmí být odstraněna. Také aretace spouště v zapínací poloze je velmi nebezpečná. Nikdy se nepokoušejte aretovat spoušť. Nářadí nepoužívejte, pokud je některý ovládací prvek nářadí nefunkční, odpojený, zaměněný nebo pokud nepracuje správně.
- K zajištění bezpečnosti a delší životnosti používejte nářadí v rámci předepsaného rozsahu tlaku vzduchu 0,49 – 0,83 MPa (4,9 – 8,3 bar). Nepřekračujte doporučený max. provozní tlak 0,83 MPa (8,3 bar). Nářadí nesmí být připojeno ke zdroji, jehož tlak by mohl potenciálně překračovat 1,37 MPa (13,7 bar).
- Přesvědčte se, zda tlak vzduchu dodávaný systémem stlačeného vzduchu nepřekračuje maximálně přípustný tlak hřebíkovačky. Tlak vzduchu zpočátku nastavte na nižší hodnotu doporučeného přípustného tlaku (viz TECHNICKÉ PARAMETRY).
- Nářadí používejte jen se stlačeným vzduchem. Pokud by se jako zdroj pro toto nářadí používal plyn v lahvích (oxid uhličitý, kyslík, dusík, vodík, stlačený vzduch atd.) nebo hořlavý plyn (vodík, propan, acetylen atd.), hrozilo by nebezpečí výbuchu nářadí, což by mohlo způsobit vážná poranění.
- Před použitím nářadí vždy zkontrolujte jeho celkový stav a zda nejsou uvolněny šrouby. V případě potřeby je utáhněte.
- Před použitím nářadí se přesvědčte, zda jsou všechny bezpečnostní systémy v dobrém provozním stavu. Nářadí nesmíte používat, pokud je jen zatažena spoušť nebo pokud je pouze kontaktní patka přitlačena ke dřevu. Můžete je spustit pouze tehdy, když jsou provedeny obě činnosti. Možný chybný provoz nářadí vyzkoušejte s prázdným zásobníkem a plně přitáženou spouští.
- Pečlivě zkontrolujte stěny, stropy, podlahy, střechy apod., aby bylo zabráněno možným elektrickým šokům, unikáním plynu, výbuchům atd. v důsledku kontaktu s živými kabely, elektrickými instalacemi nebo plynovými trubkami.
- Používejte pouze hřebíky uvedené v tomto návodu. Použití jakýchkoli jiných hřebíků může způsobit funkční poruchu nářadí.
- Nikdy nepoužívejte hřebíkovačky opatřené nápisem "Nepoužívejte na lešeních, žebřících." pro specifické činnosti, jako např.:
  - pokud je pro změnu pracoviště nutné použít lešení, schůdky, žebříky nebo žebříkům podobné konstrukce, např. střešní latě;
  - uzavírání beden nebo bednění;
  - upevňování přepravních bezpečnostních systémů např. na vozídech nebo vagónech.
- Nevyškolené osoby nesmějí nářadí používat.
- Před zarazením hřebíků se ujistěte, že se v blízkosti nikdo nenachází. Nikdy se nepokoušejte zarážet hřebíky zároveň zevnitř i zvenčí. Hřebíky by se mohly probít a/nebo odlétnout, což představuje vážné nebezpečí.
- Při práci s nářadím dbejte na stabilitu a rovnováhu. Při práci na vyvýšených místech se ujistěte, že se pod vámi nenachází žádné osoby, a zajistěte vzduchovou hadici tak, aby se předešlo nebezpečí, k němuž by mohlo dojít jejím náhlým trhnutím nebo zachycením se.
- Při zarazení hřebíků na střeších nebo jiných vysoko položených místech se pohybujte směrem dopředu. Kdybyste se při zarazení hřebíků pohybovali směrem dozadu, snadno byste mohli ztratit stabilitu. Při práci na svislých plochách zarážejte hřebíky shora dolů. Tímto způsobem bude zarazení hřebíků méně únavné.
- Pokud nedopatřením trefíte jiný hřebík nebo suk ve dřevě, hřebík se ohne nebo se zablokuje v nářadí. Hřebík se může vymrštit a někoho zasáhnout nebo může nebezpečně zareagovat i samo nářadí. Hřebíky umísťte velmi opatrně.
- Nářadí s hřebíky nebo kompresor pod tlakem nenechávejte delší dobu ležet na slunci. Dbejte na to, aby se na místě, kam nářadí odkládáte, do něho nedostal prach, písek, třísky nebo cizí tělesa.
- Vyhazovací otvor nesměřujte na nikoho, kdo se nachází v blízkosti. Ruce i nohy mějte mimo oblast vyhazovacího otvoru.
- Nářadí s připojenou vzduchovou hadicí nenoste s prstem na spoušti ani jej v takovém stavu nepředávejte jiné osobě. Náhodné spuštění může být velmi nebezpečné.
- S nářadím zacházejte opatrně, jelikož je uvnitř nářadí vysoký tlak, který může být nebezpečný, pokud by v důsledku hrubého zacházení (pád nebo náraz) došlo k jeho prasknutí. Do nářadí se nepokoušejte něco rýt nebo vyrvát.
- Pokud na nářadí pozorujete nějaký defekt nebo něco neobvyklého, okamžitě zastavte zarazení hřebíků.
- Vždy odpojte vzduchovou hadici a odstraňte všechny hřebíky:
  1. Pokud je nářadí ponecháno bez dozoru.
  2. Před prováděním jakékoli údržby nebo oprav.
  3. Před odstraňováním zablokovaných hřebíků.
  4. Před přepravováním nářadí na jiné stanoviště.
- Bezpečně a po ukončení práce proveďte vyčištění a údržbu nářadí. Nářadí stále udržujte v perfektním stavu. K prevenci před rží a kvůli minimalizaci abrazivního opotřebení mazejte pohyblivé díly. Ze všech částí odstraňte prach.
- Na nářadí neprovádějte žádné změny bez schválení společností Makita.
- Nářadí nechte pravidelně kontrolovat v autorizovaném zákaznickém servisu Makita.
- K zajištění BEZPEČNOSTI a SPOLEHLIVOSTI tohoto výrobku by měly údržbu a opravy provádět zákaznická servisní centra autorizovaná společností Makita, a to výhradně za použití náhradních dílů Makita.
- Používejte pouze olej pro pneumatické nářadí uvedený v tomto návodu.
- Nikdy nepřipojujte nástroj k vedení stlačeného vzduchu, kde tlak vzduchu může přesáhnout vhodný rozsah tlaku vzduchu pro nástroj specifikovaný v tabulce "TECHNICKÉ PARAMETRY" o 10%.
- Hřebíkovačky na stlačený vzduch by se měly používat při co nejnižším tlaku požadovaném pro daný pracovní proces, aby nedocházelo ke zbytečné velkému hluku, vysokému opotřebení a s tím souvisejícím poruchám.
- Spoušť nebo kontaktní patku se nikdy nepokoušejte upevnit ve stisknuté poloze lepicí páskou nebo drátem. Mohlo by dojít ke smrtelnému nebo vážným poraněním.
- Kontaktní patku vždy kontrolujte podle pokynů v tomto návodu. Pokud bezpečnostní mechanismus nefunguje správně, mohlo by dojít k náhodnému vystřelení hřebíků.

**TYTO POKYNY USCHOVEJTE.**

## INSTALACE

### Výběr kompresoru



Vzduchový kompresor musí odpovídat požadavkům normy EN60335-2-34.

K zajištění provozu s přiměřenými náklady vyberte kompresor s dostatečným tlakem vzduchu a výkonem. Graf ukazuje vztah mezi frekvencí záření hřebíků, použitelným tlakem a výkonem kompresoru.

Když se např. hřebíky zářejí rychlostí přibližně 30 krát za minutu při tlaku 0,69 MPa (6,9 bar), je požadován kompresor s výkonem přes 80 litrů vzduchu za minutu.

K omezení tlaku vzduchu na jmenovitý tlak nářadí musí být použity regulátory tlaku, jestliže tlak zdroje vzduchu překračuje jmenovitý tlak nářadí. Pokud byste tak neučinili, mohlo by dojít k vážnému poranění osoby pracující s nářadím nebo osob nacházejících se v blízkosti.

### Výběr vzduchové hadice (obr. 1)

K zajištění plynulého a účinného záření hřebíků použijte co nejsilnější a co nejkratší vzduchovou hadici. Pokud je tlak vzduchu 0,49 MPa (4,9 bar), je doporučena vzduchová hadice s vnitřním průměrem přes 6,5 mm a délkou méně než 20 m při intervalu záření hřebíků 0,5 vteřiny. Podle toho, která hodnota je vyšší, by hadice zdroje vzduchu měly mít minimální pracovní tlak 1,03 MPa (10,3 bar) nebo 150 procent maximálního tlaku tvořeného v systému.

#### ⚠ UPOZORNĚNÍ:

- Nizký výkon kompresoru, příliš dlouhá hadice nebo příliš malý průměr hadice ve vztahu k frekvenci záření hřebíků mohou způsobit pokles výkonu nářadí při záření hřebíků.

### Mazání

K zajištění maximálního výkonu by měla být vzduchová garnitura (maznice, regulátor, vzduchový filtr) nainstalována co nejbližší k nářadí. Maznici nastavte tak, aby na každých 30 hřebíků ukápla jedna kapka oleje. (obr. 2)

Pokud není vzduchová garnitura používána, mazejte nářadí olejem pro pneumatické nářadí tak, že do přípojovací vsuvky kápnete 2 (dvě) nebo 3 (tři) kapky. Toto je třeba provádět před a po použití nářadí. Aby bylo nářadí správně promazáno, je třeba ho po použití oleje po pneumatické nářadí několikrát spustit. (obr. 3)

### POPIS FUNKCE

#### ⚠ UPOZORNĚNÍ:

- Před nastavováním nebo kontrolou nářadí vždy odpojte vzduchovou hadici.

#### Nastavení hloubky záření hřebíků (obr. 4)

Hloubku záření hřebíků nastavíte otočením nastavovacího kolečka. Největší hloubka záření hřebíků je nastavena tehdy, když je nastavovací kolečko otočeno zcela směrem k A, jak je ukázáno na obrázku. Otáčením nastavovacího kolečka směrem k B bude hloubka mělčí. Pokud nemohou být hřebíky zatlučány dostatečně hluboko, i když je nastavovací kolečko otočeno zcela směrem k A, zvýšte tlak vzduchu. Pokud jsou hřebíky zářeny příliš hluboko, i když je nastavovací kolečko otočeno zcela směrem k B, snižte tlak vzduchu. Obecně se dá říci, že životnost nářadí bude delší, pokud bude nářadí používáno při nižším tlaku vzduchu a s nastavovacím kolečkem nastaveným na menší hloubku záření hřebíků.

#### ⚠ UPOZORNĚNÍ:

- Před nastavováním hloubky záření hřebíků vždy odpojte hadici.

#### Použití adaptéru nástavce (obr. 5)

#### ⚠ UPOZORNĚNÍ:

- Před instalací nebo snímáním adaptéru nástavce vždy odpojte hadici.

Chcete-li chránit povrch dřeva, připevněte adaptér nástavce kontaktní patky.

Pokud zářejí hřebíky do dřeva se snadno poškoditelným povrchem, použijte adaptér nástavce. Adaptér nástavce připevníte na kontaktní patku jeho přitlačení na kontaktní patku tak, aby výstupky na třech místech uvnitř adaptéru nástavce zapadly do tří otvorů v kontaktní patce.

### MONTÁŽ

#### ⚠ UPOZORNĚNÍ:

- Než začnete jakkoli pracovat s nářadím, vždy odpojte vzduchovou hadici.

#### Plnění hřebíkováčky

Vyberte hřebíky vhodné pro danou práci. Stlačte západkovou páčku a otevřete dvířka. Otevřete víko zásobníku. (obr. 6)

Nadzvedněte dno zásobníku a otočte ho tak, aby šipka, která na dně zásobníku označuje velikost hřebíků, směřovala k odpovídajícímu stupni na stupnici na víku zásobníku. Pokud by se nářadí používalo se dnem zásobníku nastaveným na špatný stupeň, mohlo by to vést ke špatnému podávání hřebíků nebo k funkční poruše nářadí. (obr. 7)



Pás s hřebíky položte na dno zásobníku. Odmotejte ho tak, aby hřebíky dosahovaly k čelisti podavače. První hřebík umístěte do hnačícího kanálu a druhý hřebík do čelisti podavače. Další odmotané hřebíky umístěte na podavač. Poté, co jste se přesvědčili, že je pás s hřebíky správně usazen v zásobníku, uzavřete víko zásobníku. (obr. 8)

### Připojení vzduchové hadice (obr. 9)

Připojovací hrdlo vzduchové hadice nasuňte na připojovací vsuvku na hřebíkovače. Ujistěte se, že připojovací hrdlo po nasunutí na připojovací vsuvku pevně zapadlo do své pozice. Hadicová spojka musí být na nářadí nebo do jeho blízkosti instalována tak, aby byla zásoba vzduchu vypuštěna v okamžiku, kdy je odpojena spojka zdroje vzduchu.

## PROVOZ

### ⚠ UPOZORNĚNÍ:

- Před použitím nářadí se přesvědčte, zda jsou všechny bezpečnostní systémy v dobrém provozním stavu.

### Režim plynulého zarážení hřebíků

Při stisknutí tlačítka na druhé straně páčky otáčejte páčkou do polohy III. (obr. 10 a 11)

1. Pro zaražení hřebíku položte kontaktní patku na dřevo a stiskněte spoušť.
  2. Nejdříve zatáhněte za spoušť a poté umístěte kontaktní patku na dřevo.
- Postup č. 1 je vhodný pro přerušované zarážení hřebíků, kdy chcete hřebík zarazit pečlivě a s velkou přesností. Postup č. 2 je vhodný pro plynulé zarážení hřebíků.

### ⚠ UPOZORNĚNÍ:

- Provoz nářadí bez hřebíků vede ke zkrácení životnosti nářadí, a proto je třeba se mu vyhýbat.

### Režim postupného zarážení hřebíků (režim přerušovaného zarážení hřebíků) (obr. 12)

Při stisknutí tlačítka na druhé straně páčky otáčejte páčkou do polohy V.

Pro zaražení hřebíku položte kontaktní patku na dřevo a stiskněte spoušť.

### ⚠ UPOZORNĚNÍ:

- POKUD JE SPOUŠŤ DRŽENA V NAPŮL STISKNUTÉ POZICI, může dojít k nečekanému zaražení hřebíků ve chvíli, kdy se kontaktní patka pod vlivem zpětného rázu znovu dostane do kontaktu se dřevem nebo jiným povrchem. Abyste předešli takovému náhlému zaražení hřebíků, postupujte následovně:
  - A. Kontaktní patku netlačte na obrobek za použití nadměrné síly.
  - B. Spoušť zcela domáčkněte a po zaražení hřebíku ji držte stisknutou ještě 1 – 2 vteřiny.
- Provoz nářadí, bez hřebíků vede ke zkrácení životnosti nářadí a proto je třeba se mu vyhýbat.

### Hřebík zablokovaný v hřebíkovače (obr. 13)

### ⚠ UPOZORNĚNÍ:

- Před odstraňováním zablokovaných hřebíků vždy odpojte vzduchovou hadici a odstraňte hřebíky ze zásobníku.

Dojde-li k zablokování hřebíkovačky, postupujte následovně:

Otevřete víko zásobníku a vyjměte pás s hřebíky. Malou tyčku nebo něco podobného zasuňte do vyřazovacího otvoru a poklepejte na ni kladivem tak, abyste zablokovaný hřebík vyrazili z vyřazovacího otvoru. Znovu vložit pás s hřebíky a uzavřete víko zásobníku.

### Hřebíky

S pásy s hřebíky a jejich krabicemi zacházejte opatrně. Při nedbalém zacházení s pásy s hřebíky by mohlo dojít k jejich deformaci nebo se mohou poškodit jejich spojky, což by mělo za následek špatné podávání hřebíků. (obr. 14)

Hřebíky neskladujte na velmi vlhkých nebo velmi teplých místech ani na místech vystavených přímému slunci. (obr. 15)

## ÚDRŽBA

### ⚠ UPOZORNĚNÍ:

- Před prováděním kontroly nebo údržby nářadí vždy odpojte vzduchovou hadici.
- Nikdy nepoužívejte benzín, technický benzín, ředidlo, líh a podobné látky. Mohlo by dojít k odbarvení, deformaci nebo k prasklinám.

### Údržba hřebíkovačky

Před použitím nářadí vždy zkontrolujte jeho celkový stav a zda nejsou uvolněny šrouby. V případě potřeby je utáhněte. (obr. 16)

Po odpojení nářadí provádějte jeho každodenní kontrolu, abyste se ujistili, že se kontaktní patka a spoušť mohou volně pohybovat. Nářadí nepoužívejte, pokud jsou kontaktní patka nebo spoušť přilepené nebo připoutané. (obr. 17)

Pokud nebudete nářadí po delší dobu používat, promažte jej olejem pro pneumatické nářadí a uskladněte na bezpečném místě. Vyhněte se skladování na přímém slunci a/nebo ve vlhkém nebo příliš teplém prostředí. (obr. 18 a 19)

### Údržba kompresoru, vzduchové garnitury a hadice

Po každém použití byste vždy měli vyprázdnit kompresorovou nádrž a vzduchový filtr. Pokud by do nářadí pronikla vlhkost, mohlo by dojít ke zhoršení výkonu a k možnému selhání nářadí. (obr. 20 a 21)

Pravidelně kontrolujte, zda je dostatek oleje v maznici vzduchové garnitury. Při zanedbání udržení dostatečného mazání by došlo k rychlému opotřebení O-kroužků. (obr. 22)

Vzduchovou hadici udržujte mimo dosah tepelných zdrojů (přes 60°C) a chemikálií (ředidla, silné kyseliny nebo louhy). Hadici rovněž vedte mimo překážky, v nichž by se mohla během používání nářadí zachytit, což by bylo nebezpečné. Hadice také nesmí přijít do kontaktu s ostrými hranami a misty, na nichž by mohlo dojít k jejímu poškození nebo odírání. (obr. 23)

K zajištění BEZPEČNOSTI a SPOLEHLIVOSTI tohoto výrobku by měly veškeré opravy či jiné údržby či nastavení provádět zákaznická servisní centra autorizovaná společností Makita, a to výhradně za použití náhradních dílů Makita.

# VOLITELNÉ PŘÍSLUŠENSTVÍ

ENH101-15

## UPOZORNĚNÍ:

- Tato příslušenství nebo nástavce jsou doporučeny pro použití s nářadím Makita uváděném v tomto návodu k obsluze. Při použití jiného příslušenství nebo nástavců by mohlo dojít k riziku zranění osob. Příslušenství nebo nástavce používejte jen za účelem, k němuž jsou určeny.

Pokud potřebujete další informace týkající se těchto příslušenství, obraťte se na místní zákaznické servisní centrum Makita.

- Hřebíky
- Hadice
- Ochranné brýle

## POZNÁMKA:

- Některé položky seznamu mohou být dodány v balení spolu s nářadím jakožto standardní příslušenství. Mohou se v jednotlivých zemích lišit.

ENG905-1

## Hluk

Běžné hlukové hladiny hodnocené A určené podle normy EN792:

Hladina zvukového tlaku ( $L_{pA}$ ): 98,3 dB (A)  
Hladina zvukového výkonu ( $L_{WA}$ ): 98,9 dB (A)  
Nejistota (K): 2,5 dB (A)

### Noste ochranu sluchu

ENG904-2

## Vibrace

Celková hodnota vibrací určená podle normy EN792:

Emise vibrací ( $a_h$ ): 2,52 m/s<sup>2</sup>  
Nejistota (K): 1,26 m/s<sup>2</sup>

ENG901-1

- Deklarovaná hodnota emise vibrací byla měřena v souladu se standardní testovací metodou a může být použita pro vzájemné srovnání přístrojů.
- Deklarovanou hodnotu emise vibrací lze rovněž použít pro předběžné posouzení jejich vlivu.

## VAROVÁNÍ:

- Emise vibrací během aktuálního používání elektrického nářadí se může lišit od deklarované hodnoty emisí v závislosti na tom, jakým způsobem je nářadí použito.
- Na základě odhadu vystavení účinkům vibrací v aktuálních podmínkách použití (vezměte v úvahu všechny části pracovního cyklu, mezi něž patří kromě fáze, kdy je nářadí používáno i doba, kdy je nářadí vypnuto nebo pracuje ve volnoběhu) zajistěte bezpečnostní opatření k ochraně obsluhy nářadí.

Pouze pro evropské země

## ES-Prohlášení o shodě

**Společnost Makita Corporation jakožto odpovědný výrobce prohlašuje, že následující zařízení Makita:**

Označení zařízení: Hřebíkovačka se zásobníkem

Č. modelu/Typ: AN902

vychází ze sériové výroby a

**vyhovuje následujícím evropským směrnici:**  
2006/42/ES

Zařízení bylo vyrobeno v souladu s následujícími standardy nebo normalizovanými dokumenty:  
EN792

Technická dokumentace je k dispozici u našeho autorizovaného zástupce v Evropě, kterým je:

Makita International Europe Ltd.

Michigan Drive, Tongwell,

Milton Keynes, Bucks MK15 8JD, England

29.3.2011



Tomoyasu Kato  
Ředitel

Makita Corporation

3-11-8, Sumiyoshi-cho,  
Anjo, Aichi, 446-8502, JAPAN

**Popis všeobecného pohľadu**

1 Olej do pneumatických náradí	8 Uzáver zásobníka	15 Poistka
2 Nastavovací prvok	9 Podperná doska cievky	16 Kladivo
3 Výčnelok	10 Odstupňovanie	17 Tyčka
4 Otvor	11 Podávací prvok	18 Vypúšťací kohút
5 Adaptér hrotu	12 Vzduchová tvarovka	19 Vzduchový filter
6 Dvierka	13 Vzduchová objímka	20 Olejovač
7 Páčka západky	14 Spúšť	21 Pneumatiký olej

**TECHNICKÉ ÚDAJE**

Model	AN902
Tlak vzduchu	0,49 – 0,83 MPa (4,9 – 8,3 bar)
Dĺžka klincov	Klince vo zvitku spojené drôtom 45 mm – 90 mm
Kapacita klincov	150 – 300 ks
Min. priemer hadice	6,5 mm
Olej do pneumatických náradí	Turbínový olej
Rozmery (D x Š x V)	318 mm x 128 mm x 378 mm
Čistá hmotnosť	3,5 kg

- Technické údaje uvedené v tomto dokumente podliehajú zmene bez upozornenia z dôvodu prebiehajúceho programu výskumu a vývoja.
- V závislosti od krajiny sa technické údaje môžu líšiť.
- Hmotnosť je uvedená podľa EPTA-Procedure 01/2003

ENE059-1

**Zamýšľané použitie**

Tento nástroj je určený pre predbežné práce v interiéri, ako sú upevňovanie podlahových nosníkov alebo priebežných krokiev a montáž rámovej konštrukcie pomocou drevených hranolov s rozmermi 2" x 4".

ENB090-4

**DÔLEŽITÉ BEZPEČNOSTNÉ POKYNY**

**VÝSTRAHA: PRI POUŽÍVANÍ TOHTO NÁSTROJA BY SA VŽDY MALI DODRŽIAVAŤ ZÁKLADNÉ BEZPEČNOSTNÉ OPATRENIA, ABY SA ZNÍŽILO RIZIKO ZRANENIA OSÔB, VRÁTANE NASLEDUJÚCEHO:**

**PREČÍTAJTE SI VŠETKY POKYNY.**

- Pred použitím nástroja si kvôli osobnej bezpečnosti a správne použitiu nástroja a ostatné osoby v bezprostrednej blízkosti pracovnej oblasti používať prostriedky na ochranu zraku.
- Vždy používajte ochranné okuliare na ochranu očí pred prachom alebo zranením od klincov.  
VÝSTRAHA:  
Je to zodpovednosťou zamestnávateľa, aby donútil obsluhu nástroja a ostatné osoby v bezprostrednej blízkosti pracovnej oblasti používať prostriedky na ochranu zraku.
- Používajte prostriedky na ochranu sluchu pred nadmerným hlukom a ochrannú prilbu. Používajte ľahký, ale nie voľný odev. Rukávy by mali byť pripnuté alebo vyhrnuté. Nemala by sa nosiť žiadna viazanka.

- Unáhľená práca alebo násilné používanie nástroja sú nebezpečné. S nástrojom manipulujte opatrne. Nástroj nepoužívajte, keď ste pod vplyvom alkoholu, liekov a podobne.
- Všeobecné pravidlá na manipuláciu s nástrojom:
  1. Vždy predpokladajte, že nástroj obsahuje upevňovacie prvky.
  2. Nikdy nemierte nástroj na seba ani na nikoho iného, či už nástroj upevňovacie prvky obsahuje alebo nie.
  3. Nástroj nenapínajte do činnosti, pokiaľ nie je pevne umiestnený oproti obrobku.
  4. K nástroju pristupujte vždy s plnou pracovnou zodpovednosťou.
  5. Nevykonávajte s ním žiadne žarty.
  6. Nástroj nedržte ani neprenášajte s prstom na spúšti.
  7. Nástroj nenapínajte upevňovacími prvkami, keď je ktorýkoľvek z ovládacích prvkov aktivovaný.
  8. Nástroj nepoužívajte s akýmkoľvek zdrojom napájania iným ako je uvedený v návode/ bezpečnostných pokynoch na obsluhu nástroja.
- Nesprávne fungujúci nástroj sa nesmie používať.
- Pri používaní nástroja niekedy odletujú iskry. Nástroj nepoužívajte blízko prchavých, horľavých materiálov, ako sú benzín, riedidlo, farba, plyn, lepidlá, atď.; zapália sa a vybuchnú, pričom spôsobia vážne zranenie.
- Pracovná oblasť by mala byť dostatočne osvetlená, aby sa zaistila bezpečná prevádzka. Pracovná oblasť by mala byť voľná a čistá. Dávajte obzvlášť pozor na zachovanie dostatočne pevnej pôdy pod nohami a rovnováhy.
- V blízkosti pracovnej oblasti by sa mali nachádzať len osoby zúčastňujúce sa práce. Predovšetkým deťom by sa vždy mal zabrániť vstup do pracovnej oblasti.

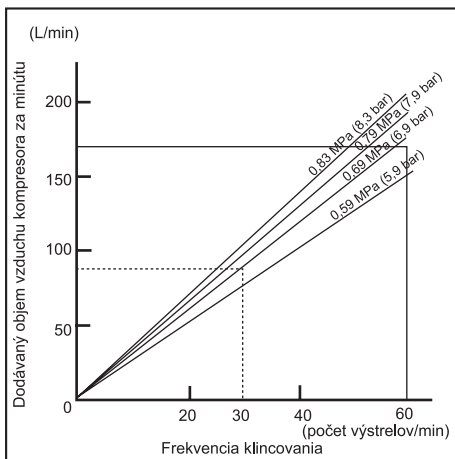
- Je možné, že existujú miestne predpisy týkajúce sa hluku, ktoré sa musia dodržať v súvislosti s maximálnou úrovňou hluku v rámci predpísaných limitov. V určitých prípadoch by sa mali použiť klapky na uši, aby sa obmedzilo pôsobenie hluku.
- Nehrajte sa s kontaktným prvkom: zabraňuje náhodnému výstrelu, preto sa musí ponechať na svojom mieste a nesmie sa odstraňovať. Zaistenie spúšte v polohe spustenia (ON) je tiež veľmi nebezpečné. Nikdy sa nesnažte pripevniť spúšť. Nikdy nepoužívajte nástroj, ak je ktorákoľvek časť ovládacích prvkov nástroja neschopná prevádzky, odpojená, zmenená, alebo nefunguje správne.
- Nástroj používajte len v rámci určenej tlaku vzduchu 0,49 – 0,83 MPa (4,9 – 8,3 bar) kvôli bezpečnosti a dlhšej životnosti nástroja. Neprekračujte odporúčaný max. prevádzkový tlak 0,83 MPa (8,3 bar). Nástroj by nemal byť pripojený k zdroju, ktorého tlak potenciálne prekročí 1,37 MPa (13,7 bar).
- Zabezpečte, aby tlak dodávaný systémom stlačeného vzduchu neprekročil maximálny prípustný tlak nástroja na nastreľovanie upevňovacích prvkov. Spočiatku nastavte tlak vzduchu na nižšiu hodnotu odporúčaného prípustného tlaku (pozrite si TECHNICKÉ ÚDAJE).
- Nikdy nepoužívajte nástroj s iným ako stlačeným vzduchom. Ak sa ako zdroj energie pre tento nástroj použije plyn vo fľaši (oxid uhličitý, kyslík, dusík, vodík, vzduch, atď.) alebo horľavý plyn (vodík, propán, acetylén, atď.), nástroj vybuchne a spôsobí vážne zranenie.
- Pred použitím nástroja vždy skontrolujte celkový stav nástroja a výskyt uvoľnených skrutiek. Podľa potreby ich pritiahnite.
- Pred prácou sa uistite, že sú všetky bezpečnostné systémy prevádzkyschopné. Nástroj sa nesmie uviesť do činnosti, ak sa stlačí len spúšť alebo sa len kontaktné rameno pritiačí k drevu. Smie sa uviesť do činnosti, len ak sa vykonajú naraz oba úkony. Nástroj vyskúšajte v súvislosti s možnou chybnou činnosťou bez klincov v zásobníku a so spúšťou v polohe úplného potiahnutia.
- Dôkladne skontrolujte steny, stropy, podlahy, strechu a podobne, aby nedošlo k možnému zasiahnutiu elektrickým prúdom, úniku plynu, výbuchu, atď. zapríčinených zasiahnutím vodičov pod napätím, potrubí alebo plynových vedení.
- Používajte len klince uvedené v tomto návode. Použitie akýchkoľvek iných klincov môže spôsobiť poruchu nástroja.
- Nikdy nepoužívajte nástroje na nastreľovanie upevňovacích prvkov označené nápisom „Zariadenie nepoužívajte na lešeniach a rebríkoch.“ pre špecifické aplikácie, napríklad:
  - keď sa zmena miesta klincovania spája s použitím lešení, schodov, rebríkov alebo konštrukcií podobných rebríkom, napr. strešných lát;
  - uzatváranie debien alebo prepraviek;
  - montáž prepravných bezpečnostných systémov, napr. na vozidlách a vagónoch.
- Osoby nepoučené o spôsobe používania tohto nástroja nesmú tento nástroj používať.
- Pred klincovaním sa uistite, že sa v blízkosti nikto nenachádza. Nikdy sa nepokúšajte klncovať súčasne zvonka aj zvnútra. Klince by mohli preraziť materiál a/alebo vyletieť, čo by predstavovalo smrteľné nebezpečenstvo.
- Dávajte pozor na pevnú pôdu pod nohami a zachovávajte rovnováhu s nástrojom. Uistite sa, že sa pod vami nikto nenachádza, keď pracujete vo výškach, pričom zaistíte vzduchovú hadicu tak, aby sa predišlo nebezpečenstvu v prípade náhleho potiahnutia alebo zachytenia.
- Na horných častiach striech a v ďalších vysokých polohách klncujte v smere vášho pohybu dopredu. Ľahko by ste mohli stratiť pevnú pôdu pod nohami, keby ste klncovali pri postupnom pohybe dozadu. Pri klncovaní oproti kolmému povrchu klncujte zhora nadol. Úkony spojené s klincovaním môžete tak vykonávať s menšou únavou.
- Klince sa môže ohnúť alebo sa nástroj môže zaseknúť, ak omylom nastrelíte klince na hornú časť iného klinca alebo zasiahnete hrču v dreve. Klince sa môže odraziť a niekoho zasiahnuť, alebo samotný nástroj môže zareagovať nebezpečným spôsobom. Klince umiestňujte opatrne.
- Nenechávajte nástroj naplnený klincami ani vzduchový kompresor pod tlakom dlhodobu na slnku. Zabezpečte, aby do nástroja nevnikli prach, piesok, úlomky a cudzí materiál na mieste, kde ho ponecháte.
- Nemieďte vystreľovací otvor na nikoho v blízkosti. Nepribližujte sa rukami ani nohami do oblasti vystreľovacieho otvoru.
- Keď je pripojená vzduchová hadica, neprenášajte nástroj s prstom na spúšti ani ho nikomu takýmto spôsobom nepodávajte. Náhodné vystrelenie môže byť mimoriadne nebezpečné.
- S nástrojom manipulujte opatrne, keďže vnútri nástroja je vysoký tlak, ktorý môže byť nebezpečný v prípade, že sa v dôsledku nešetrného zaobchádzania vyskytne prasklina (pri páde alebo náraze). Nepokúšajte sa na nástroj rezať ani vyrezávať.
- Ihneď prestaňte klncovať, ak si všimnete niečo nesprávne alebo mimo bežnej činnosti nástroja.
- Vždy odpojte vzduchovú hadicu a vyberte všetky klince:
  1. Keď je nástroj bez dozoru.
  2. Pred vykonávaním akejkoľvek údržby alebo opravy.
  3. Pred odstraňovaním zaseknutia.
  4. Pred premiestňovaním nástroja na nové miesto.
- Čistenie a údržbu vykonajte hneď po ukončení práce. Nástroj udržiavajte v bezchybnom stave. Namažte pohyblivé časti, aby sa zabránilo zhrdzaveniu a opotrebovaniu spojenému s trením. Utrite prach z jednotlivých častí nástroja.
- Nástroj neupravujte bez oprávnenia od spoločnosti Makita.
- Požiadajte autorizované servisné stredisko spoločnosti Makita o pravidelnú kontrolu nástroja.
- Aby sa zachovali BEZPEČNOSŤ a SPOLAHLIVOSŤ výrobku, údržba a opravy by malo vykonávať autorizované servisné stredisko spoločnosti Makita, vždy s použitím originálnych náhradných dielov značky Makita.

- Používajte len olej do pneumatických náradí uvedený v tomto návode.
- Nástroj nikdy nepripájajte k vedeniu vzduchu, ktorého tlak vzduchu môže prekročiť prípustný rozsah tlaku vzduchu nástroja uvedený v tabuľke „TECHNICKÉ ÚDAJE“ o 10%.
- Nástroj poháňaný stlačeným vzduchom sa má používať iba s nastavením na najnižšiu hodnotu tlaku potrebného pri danom procese práce s nástrojom. Zabráni sa tak zbytočne vysokej hladine hluku, zvýšenému riziku opotrebovania a následným poruchám.
- Nepokúšajte sa udržiavať spúšť alebo kontaktný prvok stlačením pomocou pásky alebo drôtu. Mohlo by dôjsť k usmrteniu alebo vážnemu zraneniu.
- Vždy skontrolujte kontaktný prvok tak, ako je to uvedené v tomto návode. Klince sa môžu náhodne vystreliť, ak bezpečnostný mechanizmus nefunguje správne.

## UCHOVAJTE TENTO NÁVOD.

## MONTÁŽ

### Voľba kompresora



Vzduchový kompresor musí spĺňať požiadavky normy EN60335-2-34.

Zvoľte kompresor, ktorý má dostatočný tlak a vývod vzduchu na zaistenie efektívnej prevádzky. Na uvedenom grafe je znázornený vzťah medzi frekvenciou klincovania, použiteľným tlakom a dodávaným objemom vzduchu kompresora.

Tak napríklad, ak sa klincovanie vykonáva s frekvenciou približne 30-krát za minútu pri tlaku 0,69 MPa (6,9 bar), vyžaduje sa kompresor s dodávaným objemom vzduchu viac ako 80 litrov za minútu.

Musia sa použiť regulátory tlaku na obmedzenie tlaku vzduchu na menovitú hodnotu tlaku nástroja tam, kde tlak privádzaného vzduchu prekračuje menovitý tlak nástroja. Nedodržanie tohto opatrenia môže viesť k vážnemu zraneniu obsluhy nástroja alebo osôb v jeho blízkosti.

### Voľba vzduchovej hadice (Obr. 1)

Použite čo najväčšiu a najkratšiu vzduchovú hadicu, aby sa zaistil nepretržitý a efektívny proces klincovania. Pri tlaku vzduchu 0,49 MPa (4,9 bar) sa odporúča vzduchová hadica s vnútorným priemerom viac ako 6,5 mm a dĺžkou menej ako 20 m, keď je interval medzi každým nastrelením klinca 0,5 sekundy. Hadice na prívod vzduchu musia byť dimenzované minimálne na pracovný tlak 1,03 MPa (10,3 bar) alebo 150 percent maximálneho tlaku vyvinutého v systéme, podľa toho, ktorá hodnota je vyššia.

### ⚠ POZOR:

- Nízky dodávaný objem vzduchu kompresora, alebo dlhá vzduchová hadica či hadica s menším priemerom vo vzťahu k frekvencii klincovania môžu spôsobiť zníženie výkonu klincovania nástroja.

### Mazanie

Aby sa zaistil maximálny výkon, nainštalujte vzduchovú zostavu (olejovač, regulátor, vzduchový filter) čo najbližšie k nástroju. Olejovač nastavte tak, aby sa dodávala jedna kvapka oleja pre každých 30 klincov. (Obr. 2)

Ak sa vzduchová zostava nepoužije, nástroj olejujte olejom určeným do pneumatických náradí nakvapnutím 2 (dvoch) alebo 3 (troch) kvapiek do vzduchovej tvarovky. Malo by sa to vykonávať pred použitím a po použití nástroja. Aby sa zaistilo správne namazanie, po zavedení oleja určeného do pneumatických náradí sa s nástrojom musí niekoľkokrát vystreliť. (Obr. 3)

## FUNKČNÝ POPIS

### ⚠ POZOR:

- Pred nastavením alebo kontrolou funkcie na nástroji vždy odpojte vzduchovú hadicu.

### Nastavenie hĺbky klincovania (Obr. 4)

Hĺbku klincovania nastavíte otočením nastavovacieho prvku. Najväčšia hĺbka klincovania sa dosiahne úplným otočením nastavovacieho prvku v smere A znázornenom na obrázku. Menšia hĺbka sa dosiahne otočením nastavovacieho prvku v smere B. Ak sa klince nedajú nastreliť hlbšie ani po úplnom otočení nastavovacieho prvku v smere A, zvýšte tlak vzduchu. Ak sa klince nastreľujú príliš hlboko aj po úplnom otočení nastavovacieho prvku v smere B, znížte tlak vzduchu. Vo všeobecnosti platí, že prevádzková životnosť nástroja bude dlhšia, keď sa nástroj používa s nižším tlakom vzduchu a s nastavovacím prvkom nastaveným na menšiu hĺbku klincovania.

### ⚠ POZOR:

- Pred nastavením hĺbky klincovania vždy odpojte vzduchovú hadicu.

## Použitie adaptéra hrotu (Obr. 5)

### ⚠️ POZOR:

- Pred nasadzovaním alebo odstraňovaním adaptéra hrotu vždy odpojte vzduchovú hadicu.

Ak chcete chrániť povrch obrobku, pripevnite adaptér hrotu kontaktného prvku.

Adaptér hrotu použite pri kĺncovaní obrobkov s povrchom, ktorý sa ľahko poškodí. Ak chcete pripevniť adaptér hrotu ku kontaktnému prvku, zatlačte ho na kontaktný prvok tak, aby výčnelok na troch miestach vnútri adaptéra hrotu zapadol do troch otvorov na kontaktnom prvku.

## MONTÁŽ

### ⚠️ POZOR:

- Vždy odpojte vzduchovú hadicu pred vykonávaním akýchkoľvek prác na nástroji.

### Plenie kĺncovačky kĺncami

Zvoľte kĺnce vhodné pre vašu prácu. Stlačte páčku západky a otvorte dvierka. A potom otvorte uzáver zásobníka. (Obr. 6)

Nadvihnite a otočte podpernú dosku cievky tak, aby šípka s veľkosťou kĺncov vyznačená na podpernej doske cievky ukazovala na zodpovedajúci prírastok odstupňovania vyznačený na zásobníku. Ak sa nástroj bude používať s podpernou doskou cievky nastavenou na nesprávny krok, môže to viesť k nedostatočnému prívodu kĺncov alebo k poruche nástroja. (Obr. 7)

Cievku s kĺncami umiestnite nad podpernú dosku cievky. Odviňte dostatok kĺncov, aby dosiahli podávaci prvok. Umiestnite prvý kĺnec do zavádzacieho kanála a druhý kĺnec do podávacieho prvku. Ďalšie neodvinuté kĺnce umiestnite na teleso podávača. Po skontrolovaní, či je cievka s kĺncami založená v zásobníku správne, zatvorte uzáver zásobníka. (Obr. 8)

### Pripojenie vzduchovej hadice (Obr. 9)

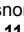
Nasuňte vzduchovú objímku vzduchovej hadice na vzduchovú tvarovku na kĺncovačke. Zabezpečte, aby vzduchová objímka pevne zapadla do požadovanej polohy, keď sa namontuje na vzduchovú tvarovku. Hadicová spojka sa musí namontovať na nástroj alebo v jeho blízkosti takým spôsobom, aby sa tlakový zásobník po odpojení spojky prívodu vzduchu vyprázdnil.

## POUŽITIE

### ⚠️ POZOR:

- Pred prácou sa uistite, že sú všetky bezpečnostné systémy prevádzkyschopné.

### Nepretržitý režim kĺncovania

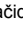
Otočte páčku do polohy  pri súčasnom stlačení tlačidla na opačnej strane páčky. (Obr. 10 a 11)

1. Ak chcete nastreliť do obrobku kĺnec, najprv priložte kontaktný prvok k obrobku a potom potiahnite spúšť.
  2. Najprv potiahnite spúšť a potom priložte kontaktný prvok k obrobku.
- Spôsob č. 1 je určený na prerušované kĺncovanie, keď chcete nastreliť kĺnec do obrobku opatrne a veľmi presne. Spôsob č. 2 je určený na nepretržité kĺncovanie.

### ⚠️ POZOR:

- Používanie nástroja bez kĺncov skracuje životnosť nástroja, a preto je potrebné sa mu vyhýbať.

### Sevkný režim (režim prerušovaného kĺncovania) (Obr. 12)

Otočte páčku do polohy  pri súčasnom stlačení tlačidla na opačnej strane páčky.

Ak chcete nastreliť do obrobku kĺnec, najprv priložte kontaktný prvok k obrobku a potom potiahnite spúšť.

### ⚠️ POZOR:

- SO SPÚŠŤOU V POLOHE POTIAHNUTIA DO POLOVICE môže dôjsť k neočakávanému vystreleniu kĺnca, ak sa kontaktnému prvku umožní znova prísť do kontaktu s obrobkom alebo iným povrchom vplyvom odrazu. Aby nedošlo k takémuto neočakávanému vystreleniu kĺncov, postupujte nasledovným spôsobom;

- A. Nepritláčajte kontaktný prvok k obrobku nadmernou silou.
- B. Úplne potiahnite spúšť a podržte ju ešte na 1 – 2 sekundy po nastrelení kĺnca.

- Používanie nástroja bez kĺncov skracuje životnosť nástroja, a preto je potrebné sa mu vyhýbať.

### Zaseknutá kĺncovačka (Obr. 13)

### ⚠️ POZOR:

- Pred odstraňovaním zaseknutia vždy odpojte vzduchovú hadicu a vyberte kĺnce zo zásobníka.

Keď dôjde k zaseknutiu kĺncovačky, postupujte nasledovným spôsobom:

Otvorte uzáver zásobníka a vyberte cievku s kĺncami. Vložte tyčku alebo podobný predmet do vystreľovacieho otvoru a jej poklepaním kladivom vysuňte zaseknutý kĺnec z vystreľovacieho otvoru. Znovu založte cievku s kĺncami a zatvorte uzáver zásobníka.

### Kĺnce

S cievkami s kĺncami a ich kazetou narábajte opatrne. Pri nešetnom zaobchádzaní s cievkami s kĺncami môže dôjsť k ich zdeformovaniu alebo k poškodeniu ich konektora, čo spôsobí nedostatočné podávanie kĺncov. (Obr. 14)

Vyhýbajte sa skladovaniu kĺncov na veľmi vlhkých alebo horúcich miestach alebo na miestach vystavených pôsobeniu priameho slnečného svetla. (Obr. 15)

## ÚDRŽBA

### ⚠️ POZOR:

- Pred tým, ako začnete vykonávať kontrolu alebo údržbu, vždy odpojte vzduchovú hadicu od nástroja.
- Nikdy nepoužívajte benzín, riedidlo, alkohol ani podobné látky. Mohlo by dôjsť k strate sfarbenia, deformácii alebo popraskaniu.

### Údržba kĺncovačky

Pred použitím nástroja vždy skontrolujte celkový stav nástroja a vyskyt uvoľnených skrutiek. Podľa potreby ich priťahnite. (Obr. 16)

Pri odpojení nástroja vykonávajte dennú kontrolu na zaistenie voľného pohybu kontaktného prvku a spúšte. Nástroj nepoužívajte, ak sa kontaktný prvok alebo spúšť lepia alebo spájajú. (Obr. 17)

Keď sa nástroj nebude dlhodobo používať, namažte ho pomocou oleja do pneumatických náradí a uskladnite ho na bezpečnom mieste. Dbajte na to, aby nástroj nebol vystavený pôsobeniu priameho slnečného svetla a/alebo vlhkého či horúceho prostredia. **(Obr. 18 a 19)**

### Údržba kompresora, vzduchovej zostavy a vzduchovej hadice

Po použití vždy vypustíte nádrž kompresora a vzduchový filter. Ak sa umožní vlhkosti preniknúť do nástroja, môže to viesť k nedostatočnému výkonu a k novej poruche nástroja. **(Obr. 20 a 21)**

Pravidelne kontrolujte, či sa v olejovači vzduchovej zostavy nachádza dostatočné množstvo pneumatického oleja. Nezabezpečenie dostatočného mazania zapríčini rýchle opotrebovanie tesniacich krúžkov. **(Obr. 22)**

Dbajte na to, aby sa vzduchová hadica nedostala do kontaktu s teplom (nad 60 °C), s chemikáliami (riedidlo, silné kyseliny alebo zásady). Taktiež hadicu vedte mimo prekážok, o ktoré by sa počas používania mohla nebezpečne zachytiť. Hadice sa musia nasmerovať aj mimo ostrých hrán a oblastí, ktoré by mohli viesť k poškodeniu alebo odieraniu hadice. **(Obr. 23)**

Aby sa zachovala **BEZPEČNOSŤ** a **SPOLAHLIVOSŤ** výrobu, opravy, akúkoľvek ďalšiu údržbu alebo nastavovanie by mali vykonávať autorizované servisné strediská spoločnosti Makita, a to vždy s použitím originálnych náhradných dielov značky Makita.

### VOVITELNÉ PRÍSLUŠENSTVO

#### **⚠ POZOR:**

- Toto príslušenstvo alebo prídavné zariadenia sa odporúčajú pre použitie s vaším nástrojom značky Makita uvedeným v tomto návode. Použitie akéhokoľvek iného príslušenstva alebo iných prídavných zariadení by mohlo predstavovať riziko zranenia osôb. Príslušenstvo alebo prídavné zariadenia používajte len na ich stanovený účel.

Ak potrebujete akúkoľvek pomoc pri získaní ďalších podrobností týkajúcich sa tohto príslušenstva, požiadajte o ňu svoje miestne servisné stredisko spoločnosti Makita.

- Kince
- Vzduchové hadice
- Ochranné okuliare

#### **POZNÁMKA:**

- Niektoré položky uvedené v tomto zozname môžu byť už súčasťou dodanej súpravy nástroja ako štandardné príslušenstvo. V závislosti od krajiny sa môže líšiť.

### Hluk

Typická hladina hluku (podľa krivky A) stanovená v súlade s normou EN792:

Hladina akustického tlaku ( $L_{pA}$ ): 98,3 dB (A)

Hladina akustického výkonu ( $L_{WA}$ ): 98,9 dB (A)

Neurčitost (K): 2,5 dB (A)

### Používajte prostriedky na ochranu sluchu

ENG904-2

### Vibrácie

Celková hodnota vibrácií stanovená v súlade s normou EN792:

Šírenie vibrácií ( $a_{h1}$ ): 2,52 m/s<sup>2</sup>

Neurčitost (K): 1,26 m/s<sup>2</sup>

ENG901-1

- Uvedená hodnota šírenia vibrácií sa namerala v súlade so štandardnou skúšobnou metódou, pričom sa môže použiť na vzájomné porovnanie jednotlivých nástrojov.
- Uvedená hodnota šírenia vibrácií sa môže použiť aj pri predbežnom odhade pôsobenia.

#### **⚠ VÝSTRAHA:**

- Šírenie vibrácií počas skutočného používania vysokotlakového elektrického nástroja sa môže od uvedenej hodnoty ich šírenia líšiť, a to v závislosti od spôsobu používania nástroja.
- Zabezpečte vykonanie potrebných bezpečnostných opatrení na ochranu obsluhy, ktoré vyplývajú z odhadu vystavenia pôsobenia za skutočných podmienok pri používaní (pričom je potrebné vziať do úvahy všetky časti pracovného cyklu, ako sú intervaly vypnutia nástroja a keď je zapnutý mimo činnosti popri intervaloch klincovania).

ENH101-15

### Len pre európske krajiny

#### **Vyhlasenie o zhode v rámci EÚ**

**My, spoločnosť Makita Corporation, ako zodpovedný výrobca týmto vyhlasujeme, že nasledujúce zariadenie(ia) značky Makita:**

Popis zariadenia: Stavebná pneumatická klincovačka  
Model č./typ: AN902

pochádza zo sérieovej výroby a

**vyhovuje nasledujúcim európskym smerniciam:**  
2006/42/ES

a je vyrobená v súlade s nasledujúcimi normami alebo štandardizovanými dokumentmi:

EN792

Technickú dokumentáciu uchováva náš autorizovaný zástupca v Európe, ktorým je:

Makita International Europe Ltd.

Michigan Drive, Tongwell,

Milton Keynes, Bucks MK15 8JD, Anglicko

29.3.2011



Tomoyasu Kato

Riaditeľ

Makita Corporation

3-11-8, Sumiyoshi-cho,

Anjo, Aichi, 446-8502, JAPAN

**A termék általános áttekintése**

1 Légszerszám olaj	8 Tárfedél	15 Váltókar
2 Beállító	9 Tekerstartó lemez	16 Kalapács
3 Pecek	10 Fokozatjelzés	17 Kis rúd
4 Nyílás	11 Adagolókilincs	18 Leeresztőcsok
5 Fejadapter	12 Levegőcsok	19 Levegőszűrő
6 Ajtó	13 Levegőcsatlakozó	20 Olajzó
7 Reteszelőkar	14 Működtető billentyű	21 Pneumatikaolaj

**MŰSZAKI ADATOK**

Modell	AN902
Levegő nyomása	0,49 – 0,83 MPa (4,9 – 8,3 bar)
Szög hosszúsága	Dobtárba való szögtekercs esetén 45 mm – 90 mm
Betölthető szögek száma	150 – 300 darab
Tömlő minimális átmérője	6,5 mm
Légszerszám olaj	Turbinában használt olaj
Méretek (hossz x mélység x magasság)	318 mm x 128 mm x 378 mm
Nettó súly	3,5 kg

- Folyamatos kutatási és fejlesztési programunk eredményeképpen a dokumentumban szereplő adatok figyelmeztetés nélkül módosulhatnak.
- A műszaki adatok országonként eltérőek lehetnek.
- A súly az EPTA-Procedure 01/2003 eljárásnak megfelelő

ENE059-1

**Rendeltetés**

A szerszám elsődleges felhasználási területe beltéri építési munkák, például párnafák és szarufák rögzítése, házépítésben használt 2" x 4" vázszerkezetek építése.

ENB090-4

**FONTOS BIZTONSÁGI TUDNIVALÓK**

**VIGYÁZAT: A SZEMÉLYI SÉRÜLÉSEK ELKERÜLÉSE ÉRDEKÉBEN A SZERSZÁM HASZNÁLATA SORÁN MINDIG TARTSA BE A KÖVETKEZŐ ALAPVETŐ BIZTONSÁGI INTÉZKEDÉSEKET:**

**OLVASSA EL AZ ÖSSZES UTASÍTÁST.**

- A szerszám rendeltetésszerű alkalmazása, karbantartása és a személyi sérülések elkerülése érdekében a szerszám használata előtt olvassa el a használati útmutatót.
  - Mindig viseljen védőszemüveget, így védje szeméit a portól és szögek okozta sérülésektől.
- VIGYÁZAT:**  
A munkáltató felelőssége biztosítani, hogy a szerszámkezelők és a közvetlen munkaterületen tartózkodó más személyek mindig viseljék a szemvédő felszereléseket.
  - Füleit mindig védje a zajtól, és viseljen fejdédőt is. Könnyű, de ne bő ruházatot viseljen. Az ingujjakat gombolja be, vagy hajtsa fel. Ne viseljen nyakkendőt.

- A munkával ne kapkodjon, és ne erőltesse a szerszámot. A szerszámot körültekintően és óvatosan kezelje. A szerszámot gyógyszerek, alkohol és egyéb hasonló anyag hatása alatt üzemeltetni nem szabad.
- A szerszám kezelésével kapcsolatos általános útmutatás:
  - A szerszámot mindig úgy kezelje, mintha betárazott lenne.
  - Tekintet nélkül arra, hogy a szerszám be van-e tárazva vagy sem, ne irányítsa a szerszámot önmaga vagy más felé.
  - Csak akkor kapcsolja be a szerszámot, ha az szilárdan fekszik fel a munkadarabon.
  - A szerszám munkaeszköz, ennek megfelelően bánjon vele.
  - A szerszám nem játék.
  - A szerszámot ne szállítsa úgy, hogy ujjá a működtető billentyűn nyugszik.
  - Csak akkor töltsön a szerszámba kötélemeket, ha a szerszám egyik kezelőszerve sincs aktíválva.
  - A szerszámot kizárólag a szerszám használati utasításában, illetve biztonsági útmutatójában megadott áramforrásról üzemeltesse.
- A hibásan működő szerszám nem használható.
- A szerszám használata néha szikraképződéssel jár. Ne használja a szerszámot gyúlékony és robbanékony anyagok, például benzin, hígító, gáz, ragasztó stb. közelében, mert az ilyen anyagok lángra kapnak és berobbannak, ezzel súlyos személyi sérülést okozva.
- A biztonságos munkavégzés alapfeltétele, hogy a munkaterület megfelelően meg legyen világítva. A munkaterület legyen tiszta. Arra különösen ügyeljen, hogy lábai szilárdan támaszkodjanak a talajon és egyensúlya is megfelelő legyen.



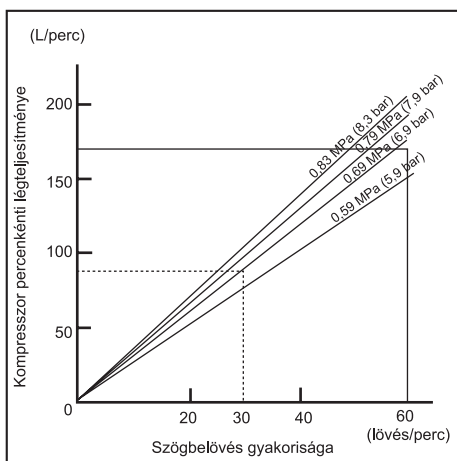
- A munkaterületen csak a munkát végzők tartózkodjanak. A gyerekeket mindig tartsa távol a munkaterülettől.
- Lehetséges, hogy helyi zajkorlátozási rendszabályokat is be kell tartani, ügyelve arra, hogy a zajszint a megadott intenzitás alatt maradjon. Bizonyos helyeken a zaj csillapítására redőnyök használhatók.
- Az érintkezőbetét nem játék: megakadályozza a szerszám véletlen elsütését, emiatt mindig a szerszámon kell hagyni. A működtető billentyű ON helyzetben való rögzítése veszélyes. Emiatt a működtető billentyűt rögzíteni nem szabad. Ha a szerszám bármely alkatrésze működésképtelen, levált, módosították, vagy helytelenül működik, ne használja a szerszámot.
- A biztonságos üzem és a hosszabb élettartam érdekében a szerszámot a megadott levegőnyomással, azaz 0,49 – 0,83 MPa (4,9 – 8,3 bar) értékű nyomással üzemeltesse. Ne lépje túl a legnagyobb javasolt üzemi nyomást, amelynek értéke 0,83 MPa (8,3 bar). A szerszámot nem szabad olyan levegőforráshoz csatlakoztatni, amelynél előfordulhat, hogy a levegő nyomása 1,37 MPa (13,7 bar) értékűnél nagyobb lehet.
- Ügyeljen arra, hogy a sűrített levegős táprendszer nyomása ne haladja meg a szögbelövő szerszámmal engedélyezett maximális nyomásértéket. A légnyomást először a javasolt engedélyezett légnyomástartomány alsó értékére szabályozza be (lásd: MŰSZAKI ADATOK).
- A szerszám csak sűrített levegővel használható. Ha palackozott gázt (szén-dioxidot, oxigént, nitrogént, hidrogént, levegőt stb.) vagy robbanékony gázt (hidrogént, propánt, acetilént stb.) használ a szerszám működtetésére, a szerszám súlyos sérülést okozva felrobban.
- Működtetés előtt mindig ellenőrizze a szerszám általános állapotát, ügyeljen rá, hogy ne legyenek rajta laza csavarok. Szükség szerint húzza meg a csavarokat.
- Üzemeltetés előtt mindig ellenőrizze, hogy az összes biztonsági rendszer megfelelően működik-e. A szerszám nem üzemelhet, ha csak a működtető billentyűt húzzák meg, vagy csak a távtartó kart nyomják a felfültre. A szerszám csak a két művelet együttes végrehajtásakor működhet. Szögek nélkül, a tolattý teljesen kihúzott helyzetben ellenőrizze, hogy tapasztalható-e hibás működés.
- Ügyeljen arra, hogy a mennyezetben, a falban, a tetőszerkezetben és egyéb munkafelületeken munkavégzés közben ne roncsoljon élő vezetéseket vagy csöveket, ezzel gázszivárgást, robbanást vagy áramütést okozva.
- Csak az útmutatóban ismertetett szögeket használja. Az ettől eltérő típusú szögek használata a szerszám hibás működését okozhatja.
- Ha a szögbelövő szerszámon a „Ne használja állványokon és létrákon.” figyelmeztető jelzés látható, ne használja a szerszámot a következő alkalmazási területeken:
  - ha az egyik belövési helyről a másikra való átváltáshoz állványok, lépcsők, létrák vagy ehhez hasonló felépítmény, pl. tetőlécek szükségesek;
  - dobozok és ládák lezárására;
  - közlekedésbiztonsági rendszerek felszerelésére, pl. járművekre és kocsikra.
- A szerszámot csak a használatára kioktatót személy kezelheti.
- Szögbelövés előtt gondoskodjon arról, hogy a munkaterület közelében ne tartózkodjon senki. Ne próbáljon meg szögbelövést végezni a munkadarab két oldaláról egyszerre. Az átszakadó és/vagy elrepülő szögek súlyos veszélyt jelentenek.
- Ügyeljen a stabil helyzetre, tartsa meg egyensúlyát. Magasban végzett munkálatok közben alul ne tartózkodjon senki, a hirtelen csavarás és hűzás megakadályozására rögzítse a levegőtömlőt.
- Tetőkön és más magas helyeken végzett munka közben előre felé haladjon a szögbelövés. Hátrafelé haladva könnyen elveszítheti egyensúlyát. Függetlenül a munkavégzésnél felülről lefelé haladjon. Ha így tesz, sokkal kisebb fáradtsággal végezheti munkáját.
- Ha a szöget véletlenül egy másik szögbe vagy a faanyagban lévő csomóba lövi, a szög elgörbülhet vagy elakadhat. Az elrepülő szög eltalálhatja valakit, vagy a szerszám veszélyesen visszarúghat. A szögeket körültekintően üsse be.
- A feltöltött szerszámot vagy a nyomás alatti légkompresszort ne hagyja sokáig a napon. Csak olyan helyen tegye le a szerszámot, ahol nem juthat bele por, törmelék és semmilyen idegen anyag.
- A kilővönnyílást ne irányítsa a közelben állókra. Keze és lába ne legyen a kilővönnyílás közelében.
- Ha a levegőtömlő csatlakoztatva van, ne hordja és ne adja át senkinek a szerszámot úgy, hogy ujjja a működtető billentyűn nyugszik. A véletlen elsütés különösen veszélyes lehet.
- Mindig nagy körültekintéssel kezelje a szerszámot, hiszen a benne uralkodó nagy nyomású levegő a durva kezelés (ha a szerszámot leejti vagy ütés éri) miatt keletkező repedések miatt veszélyes helyzetet idézhet elő. A szerszámra feliratot vézni nem szabad.
- Ha a szerszám működése során a legkisebb rendellenességet tapasztalja, azonnal hagyjon fel a szögbelövéssel.
- Mindig válassza le a levegőtömlőt és vegye ki az összes szöget, ha:
  1. A szerszámot felügyelet nélkül hagyja.
  2. Karbantartás és javítás előtt.
  3. Elakadás elhárítása előtt.
  4. Mielőtt a szerszámot másik munkahelyre telepíti át.
- A karbantartást és a tisztítást közvetlen a munkavégzés után hajtsa végre. A szerszámot tartsa kiváló állapotban. A kopásból adódó elhasználódás és a rozsdásodás megelőzése érdekében mindig kenje meg a mozgó alkatrészeket. Az alkatrészekről törölje le az összes port.
- A Makita jóváhagyása nélkül ne módosítsa a szerszámot.
- A szerszám időszakos felülvizsgálatához kérje a Makita hivatalos márkaszervizének segítségét.
- A termék BIZTONSÁGOSSÁGÁNAK és MEGBÍZHATÓSÁGÁNAK fenntartása érdekében a javításokat és a karbantartást Makita cserealkatrészek felhasználásával a Makita hivatalos márkaszervizének kell elvégeznie.
- Csak az útmutatóban ismertetett légszerszám olajat használja.

- Soha ne csatlakoztassa a szerszámgépet olyan sűrített levegős vezetékhez, amelynél a légnyomás 10%-kal meghaladhatja a szerszámgéphez alkalmazható, a „MŰSZAKI ADATOK” című táblázatban szereplő légnyomási tartományt.
- A szükségtelenül magas zajszint, a fokozott kopás és az abból eredő hibák megelőzése érdekében a sűrített levegővel működő kötélem-beütő szerszámokat kizárólag az aktuális munkához szükséges legalacsonyabb nyomással szabad működtetni.
- A működtető billentyűt vagy az érintkezőbetétet ne nyomja le szalaggal vagy dróttal. Ellenkező esetben halálos baleset vagy súlyos sérülés történhet.
- Mindig ellenőrizze az érintkezőbetétet az útmutatóban ismertetett módon. Ha a biztonsági mechanizmus nem működik megfelelően, a szerszám véletlenül is kilőhet szöegeket.

## ŐRIZZE MEG A HASZNÁLATI UTASÍTÁSOKAT.

## ÜZEMBE HELYEZÉS

### A kompresszor kiválasztása



A légkompresszornak meg kell felelnie az EN60335-2-34 szabvány előírásainak.

A költséghatékony üzem érdekében olyan kompresszort válasszon, amely elegendő mennyiségű és nyomású levegőt termel. A grafikonról a szögbelövés gyakorisága, a használandó nyomás és a kompresszor levegőkimenete közötti összefüggés olvasható le.

Az ábra alapján tehát, ha a szögbelövés percenként 30 alkalommal történik, a levegő nyomása pedig 0,69 MPa (6,9 bar), 80 liter/perc kapacitású kompresszorra van szükség.

Ha a tápnyomás meghaladja a szerszám névleges nyomását, a táplevegő nyomásának névleges értékre való szabályozásához nyomásszabályzókat kell alkalmazni. Ha nem alkalmaz ilyen berendezést, a kezelő vagy a közelben tartózkodó személyek súlyosan megsérülhetnek.

### A levegőtömlő kiválasztása (1. ábra)

A folyamatos és hatékony szögbelövés érdekében a lehető legvastagabb és legrövidebb tömlőt használja. Ha a levegő nyomása 0,49 MPa (4,9 bar), 6,5 mm belső átmérőjű és 20 méternél rövidebb tömlő használata javasolt, amennyiben a szögbelövések közötti időköz 0,5 másodperc. A táplevegőtömlők minimális üzemi nyomásának 1,03 MPa (10,3 bar) értékűnek vagy a rendszerben létrejövő maximális nyomás 150%-ának kell lennie, amely érték a magasabb.

### ⚠ FIGYELEM:

- Alacsony levegőkimenetű kompresszor, a szögbelövési sebességhez valónál hosszabb vagy kisebb átmérőjű tömlő használata csökkentheti a szerszám szögbelövési képességét.

### Kenés

A maximális teljesítmény érdekében a szerszámhoz a lehető legközelebb szereljen fel egy levegőszabályzót (olajzó, szabályzó, levegőszűrő). Állítsa be úgy az olajzót, hogy minden 30 szögre egy cseppnyi olaj jusson. (2. ábra)

Ha nem használ levegőszabályzót, a levegőcsonkba 2 (két) vagy 3 (három) csepp légszerszám olajat juttatva olajozza meg a szerszámot. A műveletet használat előtt és után is el kell végezni. A megfelelő kenés érdekében a légszerszám olaj bejuttatása után a szerszámot pár alkalommal el kell sütni. (3. ábra)

## A MŰKÖDÉS LEÍRÁSA

### ⚠ FIGYELEM:

- A szerszám működésének ellenőrzése vagy beállítása előtt mindig válassza le a levegőtömlőt.

### A szögbelövés mélységének beállítása (4. ábra)

A szögbelövés mélységének beállításához forgassa el a beállítót. A szögbelövés mélysége akkor a legnagyobb, ha a beállító az ábrán látható módon teljesen el van csavarva az A állásba. A beállítót a B helyzetbe állítva a belövés mélysége csökken. Ha a szögek még úgy sem lehetők be elég mélyre, hogy a beállító teljesen az A helyzetben áll, növelje a levegő nyomását. Ha a szögek még akkor is túl mélyre mennek, ha a beállító teljesen a B helyzetben áll, csökkentse a levegő nyomását. Általános megállapításként megjegyezzük, hogy a szerszám élettartama hosszabb, ha az alkalmazott levegőnyomás alacsonyabb és a beállító helyzete kisebb belövési mélységnek felel meg.

### ⚠ FIGYELEM:

- A belövési mélység beállítása előtt mindig válassza le a tömlőt.

## A fejadapter használata (5. ábra)

### ⚠ FIGYELEM:

- A fejadapter fel-, illetve leszerelése előtt mindig válassza le a tömlőt.

Ha védeni kívánja a munkadarab felületét, szerelje fel a fejadapter érintkezőbetétjét.

Finoman megmunkált felületű munkadarabnál érdemes a fejadaptert használnia. A fejadapter és az érintkezőbetét egymáshoz csatlakoztatásához nyomja rá az adaptert a betétre úgy, hogy a fejadapter belsejének három pecke beleilleszkedjen az érintkezőbetét három nyílásába.

## ÖSSZESZERELÉS

### ⚠ FIGYELEM:

- Ha a szerszámon bármilyen munkát kíván végezni, mindig válassza le a levegőtömlőt.

### A szögbelevő betöltése

Mindig a feladatnak megfelelő szögeket válasszon. Nyomja meg a reteszelőkart, és nyissa ki az ajtót. Nyissa fel a tárfedelelet. (6. ábra)

Emelje meg és fordítsa el a tekerstartó lemezt úgy, hogy a tekerstartó lemez számérettel ellátott nyíla a tár megfelelő fokozatjelzésére mutasson. Ha nem megfelelő fokozatra állított tekerstartó lemezzel működteti a szerszámot, lehetséges, hogy a szögadagolás nem lesz kielégítő vagy meghibásodik a szerszám. (7. ábra)

Helyezze a szögtekerstartó lemezt a tekerstartó lemezre. Tekerjen le annyit szöget, hogy a tekerstartó lemez elérjen az adagolókilincsig. Illesse az első szöget az adagolókilincsbé, a második szöget pedig az adagolókilincsbé. A többi leteker szöget helyezze az adagolóra. Miután ellenőrizte, hogy a szögtekerstartó megfelelően helyezkedik el a tárnban, zárja le a tárfedelelet. (8. ábra)

### Levegőtömlő csatlakoztatása (9. ábra)


Csúszassa a levegőcsatlakozó foglalatát a szerszám levegőcsőnkjára. A levegőcsatlakozó végének biztosan kell csatlakoznia a levegőcsőnkra. A szerszámra vagy annak közelében tömlőcsatlakozót kell elhelyezni úgy, hogy a nyomástároló a táplevegő-csatlakozás leválasztásakor ürítsen.

## MŰKÖDTETÉS

### ⚠ FIGYELEM:

- Üzemeltetés előtt mindig ellenőrizze, hogy az összes biztonsági rendszer megfelelően működik-e.

### Folyamatos szögbelevési üzemmód


Forgassa a kart a  helyzetbe, miközben nyomva tartja a kar másik oldalán lévő gombot. (10 és 11. ábra)

1. Szög belevéséhez az érintkezőbetétet a munkadarabra helyezheti, majd húzza meg a működtető billentyűt.
  2. Először húzza meg a működtető billentyűt, majd helyezze az érintkezőbetétet a munkadarabra.
- Az 1. eljárással szakaszosan lőhet be szögeket; erre pontos és óvatos szögbelevésnél van szükség. A 2. eljárás a folyamatos szögbelevésnél használható.

### ⚠ FIGYELEM:

- A szögek nélküli működtetés a szerszám élettartamának csökkenését idézi elő, így az ilyen használatot kerülni kell.

## Szakaszos üzemmód (szakaszos szögbelevés) (12. ábra)

Forgassa a kart a  helyzetbe, miközben nyomva tartja a kar másik oldalán lévő gombot.

Szög belevéséhez az érintkezőbetétet a munkadarabra helyezheti, majd húzza meg a működtető billentyűt.

### ⚠ FIGYELEM:

- HA A MŰKÖDTETŐ BILLENTYŰ FÉLIG MEGHÚZOTT HELYZETBEN VAN, nem kívánt szögbelevés következhet be, amennyiben az érintkezőbetétet ismét hozzáérinti a munkadarab felületéhez vagy a visszarúgás miatt más felülethez. A nem kívánt szögbelevés elkerülése érdekében a következőképpen járjon el:

A. Az érintkezőbetétet nem szabad a munkadarabra erőltetni.

B. Miután a szöget belötte, 1 – 2 másodpercig tartsa teljesen meghúzva a működtető billentyűt.

- A szögek nélküli működtetés a szerszám élettartamának csökkenését idézi elő, így az ilyen használatot kerülni kell.

## Teendők szögelakadás esetén (13. ábra)

### ⚠ FIGYELEM:

- Mielőtt az elakadást megszüntetné, mindig válassza le a levegőtömlőt, és vegye ki a szögeket a tárból.

Szögelakadások a teendői a következők:

Nyissa fel a tárfedelelet, majd vegye ki a szögtekerstartó. Illeszen egy kis rudat vagy valami hasonlót a kilövőnyílásba, majd a rúd végét kalapáccsal ütögetve távolítsa el a beragadt szöget a kilövőnyílásból. Tegye vissza a szögtekerstartó, majd zárja le a tárfedelelet.

## Szögek

A szögtekerstartókat és azok tárolódobozát körültekintően és óvatosan kezelje. Ellenkező esetben eldeformálódhatnak, csatlakozójuk károsodhat, ezzel elégtelen szögadagolást okozva. (14. ábra)

A szögeket ne tárolja nagyon nedves vagy meleg helyen, és ne tegye ki közvetlen napfénynek sem. (15. ábra)

## KARBANTARTÁS

### ⚠ FIGYELEM:

- Mielőtt bármilyen ellenőrzést vagy karbantartást végez a szerszámon, mindig válassza le a levegőtömlőt.
- Ne használjon benzint, gázolajat, hígítót, alkoholt vagy egyéb hasonló anyagot. Ha mégis ilyet használ, a szerszám elszíneződhet vagy megrepedhet.

### A szögbelevő karbantartása

Működtetés előtt mindig ellenőrizze a szerszám általános állapotát, ügyeljen rá, hogy ne legyenek rajta laza csavarok. Szükség szerint húzza meg a csavarokat. (16. ábra)

A szerszám leválasztása után napi rendszerességgel ellenőrizze az érintkezőbetét és a működtető billentyű akadálymentes mozgását. Ha az érintkezőbetét, illetve a működtető billentyű beragad vagy elakad, ne használja a szerszámot. (17. ábra)

Ha huzamosabb ideig nem használja a szerszámot, kenje meg a szerszámot légszerszám olajjal, majd tárolja a szerszámot biztonságos helyen. Ne tegye ki a szerszámot közvetlen napfénynek és/vagy nedves, illetve forró környezetnek. (18 és 19. ábra)

## A kompresszor, a levegőszabályozó és a levegőtömlő karbantartása

Használat után mindig engedje le a kompresszortartályt és a levegőszűrőt. A szerszámba jutó nedvesség elégtelen működést és meghibásodást okozhat. **(20 és 21. ábra)**

Rendszeresen ellenőrizze, hogy a levegőszabályzó olajjában elegendő mennyiségű légszerszám olaj van-e. Elegendő kenés hiányában a tömítőgyűrűk gyorsan elhasználódnak. **(22. ábra)**

A levegőtömlőt tartsa távol a hőforrásoktól (60°C felett) és vegyi anyagoktól (hígító, erősen maró savak és lúgok). A levegőtömlőt úgy kell elvezetni, hogy működtetés közben ne akadjon bele semmibe. A tömlő közelében nem lehetnek éles tárgyak, sem pedig olyan felületek, amelyek a tömlőt károsíthatják vagy kidörzsölhetik. **(23. ábra)**

A termék **BIZTONSÁGOSSÁGÁNAK** és **MEGBÍZHATÓSÁGÁNAK** fenntartása érdekében a javításokat, a karbantartást és beállításokat Makita cserealkatrészek felhasználásával a Makita hivatalos márkaszervizének kell elvégeznie.

## OPCIONÁLIS TARTOZÉKOK

### ⚠ FIGYELEM:

• A tartozékok vagy kiegészítők használata kizárólag az útmutatóban ismertetett Makita szerszámmal együtt javasolt. Ettől eltérő tartozékok és kiegészítők használata személyi sérülést okozhat. A tartozékokat és kiegészítőket csak rendeltetésszerűen használja.

Ha a tartozékokkal kapcsolatban segítségre vagy részletesebb tájékoztatásra van szüksége, kérje a helyi Makita márkaszerviz segítségét.

- Szögek
- Levegőtömlők
- Védőszemüveg

### MEGJEGYZÉS:

• Lehetséges, hogy a listában szereplő egyes tételek normál tartozékként a csomag részét képezik. A tételek országonként eltérőek lehetnek.

ENG905-1

### Zaj

Az EN792 szabvány szerint meghatározott A hangszint:  
Hangnyomásszint ( $L_{pA}$ ): 98,3 dB (A)  
Hangteljesítményszint ( $L_{WA}$ ): 98,9 dB (A)  
Bizonytalanság (K): 2,5 dB (A)

### Viseljen fülvédőt

ENG904-2

### Vibráció

A vibráció EN792 szabvány szerint meghatározott összértéke:

Kibocsátott vibráció ( $a_h$ ): 2,52 m/s<sup>2</sup>  
Bizonytalanság (K): 1,26 m/s<sup>2</sup>

ENG901-1

- A kibocsátott vibráció itt feltüntetett értékét a szabványos tesztljárással állapították meg, és szerszámok összehasonlítására használható.
- A kibocsátott vibráció itt feltüntetett értéke a kitettség előzetes számításához is felhasználható.

### ⚠ VIGYÁZAT!

- A szerszám használata közben generált vibráció a szerszám használati módjának függvényében eltérhet az itt feltüntetett értékektől.
- A kezelő védelmének érdekében a tényleges használati körülményeket figyelembe vevő becsült számítások alapján mindenképpen alkalmazza a kezelő védelmét szolgáló biztonsági intézkedéseket (az üzemeltetési folyamat valamennyi szakaszát vegye figyelembe, így a működtető billentyű használatán kívül a készülék kikapcsolását, készenléti állapotban való működtetését is).

ENH101-15

## Csak az európai országok számára

### EU-megfelelőségi nyilatkozat

**A gyártó, a Makita Corporation nevében kijelentjük, hogy a következő Makita készülék(ek):**

Gép megnevezése: Építőipari szögbelövő

Modellszám/típus: AN902

sorozatgyártott eszköz és

**megfelel a következő európai irányelveknek:**

2006/42/EK

A készülék gyártása a következő szabványokkal és előírásokkal összhangban történik:

EN792

A műszaki dokumentáció európai képviselőnkél található:

Makita International Europe Ltd.

Michigan Drive, Tongwell,

Milton Keynes, Bucks MK15 8JD, England

29.3.2011



Tomoyasu Kato

Igazgató

Makita Corporation

3-11-8, Sumiyoshi-cho,

Anjo, Aichi, 446-8502, JAPAN

## 普通视图说明

1 气动工具机油	8 钉盒盖	15 切换杆
2 调节器	9 钉卷支撑板	16 铁锤
3 突出部	10 刻度	17 小铁棒
4 孔	11 进钉爪	18 排放栓
5 枪头适配器	12 输气头	19 空气过滤器
6 门	13 气座	20 加油器
7 门杠	14 扳机	21 气动机油

## 规格

机型	AN902
空气压力	0.49 — 0.83 MPa (4.9 — 8.3 bar)
钉子长度	卷钉枪钉 45 mm — 90 mm
钉子容量	150 — 300 枚
最小软管直径	6.5 mm
气动工具机油	蜗轮机油
尺寸（长 x 宽 x 高）	318 mm x 128 mm x 378 mm
净重	3.5 kg

- 因我们持续进行研发，这里的规格如有变更，恕不另行通知。
- 规格可能因国家而异。
- 重量按照 EPTA- 采购 01/2003

ENB059-1

## 用途

本工具用于初步的内饰作业，例如固定地板托梁或普通的椽及 2" x 4" 壳体框架作业。

ENB090-4

## 重要安全指南

**警告：使用本工具时，务必遵循基本安全注意事项，以减少人身伤害的危险，包括以下：**

## 阅读所有指南。

- 为个人安全及正确操作和保养本工具，在使用工具之前请阅读本说明书。
- 务必戴上安全眼镜以保护您的眼睛免受灰尘或钉子伤害。

## 警告：

雇主有责任强制工具操作员和工具区域附近的人员使用眼睛安全保护装置。

- 请戴上护耳以保护您的耳朵免受排气噪声影响和保护头部。另外要穿轻便但不松弛的衣服。袖子应当扣上或卷起。不要戴领带。
- 赶工或强行工具很危险。请小心使用工具。喝酒后或服药之后不要进行操作。

## 工具一般操作指南：

1. 始终假设工具里面有钉子。
2. 请勿将本工具对准您自己或他人，无论里面是否有钉子。
3. 除非将本工具紧靠作业件，否则不要启动工具。
4. 请将本工具视作工作辅助器具。
5. 不要拿来玩。
6. 请勿将一根手指放在扳机上握持或携带本工具。

7. 当任何一个操作控件启动时，请勿将本工具装入钉子。

8. 除在本工具操作 / 安全指南中规定的以外，请勿用任何其他电源操作工具。

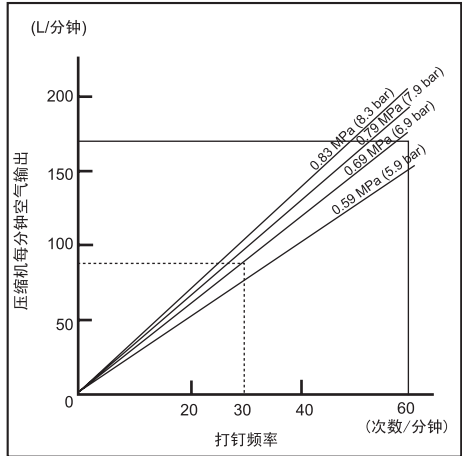
- 切勿使用功能失常的工具。
- 使用本工具时，有时可能飞出火星。请勿在汽油、稀释剂、油漆、煤气、胶水等易挥发、易燃的材料附近使用本工具；否则可能被点燃和爆炸，造成严重伤害。
- 作业区域应当充分照明，以确保安全作业。作业区域应当清洁，没有垃圾。要特别小心保持站稳和平衡。
- 附近只能有与工作相关的人员。任何时候，特别是小孩，必须远离。
- 关于噪声，可能有地方法规需要遵循，保持噪声级别在规定的限度以内。在某些情况下，应当使用门窗来收纳噪声。
- 请勿玩耍接触件：它用来防止意外放钉，因此必须将其保持打开并且不可卸下。将扳机置于打开位置也非常危险。切勿试图扣紧扳机。如果本工具操作控件的任何部分不能操作、断开连接、被改动或不能正常工作，请勿操作工具。
- 为了安全和保持本工具较长使用寿命，请在规定的 0.49 — 0.83 MPa (4.9 — 8.3 bar) 的气压之内操作工具。请勿超过推荐的最大 0.83 MPa (8.3 bar) 的工作压力。不能将本工具连接压力可能超过 1.37 MPa (13.7 bar) 的气压源。
- 确保加压空气系统提供的压力不会超过打钉机允许的最大压力。初始将气压设为推荐的允许压力的低值（参见规格）。
- 切勿给本工具使用加压空气以外的动力源。如果给本工具使用瓶装气体（二氧化碳、氧气、氮气、氢气、空气等）或可燃气（氢气、丙烷、乙炔等）作为动力源，工具将会爆炸并导致严重伤害。
- 在操作之前，务必检查工具整体情况及螺钉是否松动。必要时拧紧。
- 在操作之前，确保所有安全系统都处于工作状态。如果只扣动扳机或只有接触臂压在木头上，切勿操作工具。只有同时进行两个动作时，才能作业。将钉子撤下并完全拉起扳机以测试是否可能有故障。

- 请仔细检查墙壁、天花板、地板、屋顶等地方以避免可能因打到电线、导管或煤气管道而引起触电、煤气泄漏、爆炸等。
- 务必使用本说明书中规定的钉子。使用任何其他钉子均可能导致工具故障。
- 切勿将标有“请勿站在脚手架、梯子上使用”标记的打钉工具用于某些场合，例如：
  - 当从一个打钉位置转移到另一个位置涉及使用脚手架、台阶、梯子或屋顶板条等象梯子那样的构造物时；
  - 闭合箱子或板条箱；
  - 安装运输安全系统，例如在汽车和货车上。
- 请勿让不熟悉本工具使用的人使用工具。
- 在打钉之前，确保没有人在附近。切勿试图同时从内部和外部两侧打钉。否则钉子可能打穿和 / 或打飞，构成严重危险。
- 注意您的站脚，并保持与工具的平衡。当在高处作业时，确保下面没人，并收好输气软管以防被突然扯到而造成危险。
- 在屋顶或其他高处，请向前移动并打钉。如果您向后移动并打钉，很容易失足。对竖立的表面打钉时，请从上往下打钉。这样做可以减轻打钉作业带来的疲劳。
- 如果您误将钉子打到另一个钉子上或打到木头的结节上，钉子将变弯或工具可能卡住。钉子可能打飞并打到他人，或工具本身可能产生危险反应。请小心放置钉子。
- 请勿在太阳底下长时间放置上了钉子的工具或加压的空气压缩机。确保在放置工具的地方不要让灰尘、沙子、碎屑和异物进入工具。
- 请勿将弹出口对准附近的任何人。使手和脚离开弹出出口区域。
- 当连接输气软管时，请勿将手指放在扳机上携带工具，或在此状态递给某人。意外打钉会很危险。
- 要小心使用工具，如果因使用不当（掉落或敲击）造成裂痕，因工具内部有高压，会带来危险。切勿试图在工具上刻写。
- 如果您发现工具出了问题或有异常，请立即停止打钉作业。
- 务必断开输气软管并取下所有钉子：
  1. 当没人看管时。
  2. 在进行任何保养或维修之前。
  3. 在清除卡钉之前。
  4. 在将工具移到新场所之前。
- 在完成作业之后随即进行清洁和保养。将工具保持在最佳使用状态。润滑移动的部件以防止生锈和最小化摩擦造成的磨损。擦除部件上任何灰尘。
- 未经 Makita 授权，请勿改造工具。
- 请联系 Makita 授权的维修中心以对工具进行定期检查。
- 为保持产品安全可靠，保养和维修应当由 Makita 授权的维修中心来进行，务必使用 Makita 的更换部件。
- 务必使用本说明书中指定的气动工具机油。
- 切勿将本工具连接至气压会超过“规格”表中指定的工具适合气压范围 10% 的压缩空气管线。
- 用压缩空气驱动的打钉工具应当以手头作业所需最低压力工作，以防产生不必要的高噪声、增加磨损及导致故障。
- 切勿尝试用胶带或线缆保持扳机或接触件压住。否则可能导致死亡或严重伤害。
- 务必按照本说明书中的指示检查接触件。如果安全机制不能正确工作，钉子可能意外打出。

请保管好本说明书。

## 安装

### 选择压缩机



空气压缩机必须符合 EN60335-2-34 的要求。

请选择具有充足压力和空气输出的压缩机以确保经济有效地作业。图中显示打钉频率、适用的压力和压缩机空气输出之间的关系。

因此，如果在 0.69 MPa (6.9 bar) 的压缩下以大约每分钟 30 次的频率打钉，则需要空气输出在 80 L/分钟以上的压缩机。

如果空气供给压力超过本工具的额定压力，必须使用压力调节器来将空气压力限制到工具额定的压力。否则可能对工具操作员或附近的人造成严重伤害。

### 选择输气软管 (图 1)

请使用尽可能大和尽可能短的输气软管来确保连续、有效的打钉作业。如果空气压力为 0.49 MPa (4.9 bar)，当每次打钉间隔时间为 0.5 秒时，推荐内径在 6.5 mm 以上并且长度短于 20 m 的输气软管。输气软管应当具有最低工作压力额定 1.03 MPa (10.3 bar)，或系统中产生的最大压力的 150%，以较高者为准。

### ⚠️注意：

- 相对于打钉频率，压缩机空气输出低或输气软管长或直径较小可能导致本工具打钉能力下降。

### 润滑

为确保最高性能，尽可能接近工具安装一个气件（加油器、调节器、空气过滤器）。调节加油器以给每 30 个钉子提供一滴油。（图 2）

不使用气件时，请滴两至三滴气动工具机油到输气头中给工具加油。这应当在使用之前和之后完成。为适当润滑，在加入气动工具机油之后，必须用工具打几次钉子。（图 3）

## 功能说明

### ⚠️注意:

- 在调节或检查工具的机能之前，务必断开输气软管。

### 调节打钉深度（图 4）

要调节打钉深度，请转动调节器。当如图所示，当将调节器往 A 方向转到头时，则打钉的深度将最深。将调节器往 B 方向转动时，深度将变浅。如果即使将调节器往 A 方向转到头，钉子也不能打得足够深，请增加空气压力。如果即使将调节器往 B 方向转到头，钉子也打得太深，请减小空气压力。一般而言，用较低的空气压力并将调节器设到较浅的打钉深度，这样来使用工具可延长工具的使用寿命。

### ⚠️注意:

- 在调节打钉深度之前，务必断开软管。

### 使用枪头适配器（图 5）

### ⚠️注意:

- 在安装或卸下枪头适配器之前，务必断开软管。

如果您要保护作业件的表面，请装上接触件的枪头适配器。

当对表面容易损毁的作业件打钉时，请使用枪头适配器。要将枪头适配器装到接触件上，将其压到接触件上，直到枪头适配器内三个位置的突出部嵌入接触件中的三个孔。

## 组装

### ⚠️注意:

- 在对本工具进行任何作业之前，务必断开输气软管。

### 装填打钉机

选择适合您作业的钉子。压下闩杠并打开舱门。然后打开钉盒盖。（图 6）

抬起并转动钉卷支撑板，钉卷支撑板上指示的有钉子大小的箭头朝向钉盒上标记的刻度增量。如果将钉卷支撑板设在错误的阶段上操作工具，可能导致工具进钉不良或故障。（图 7）

将钉卷放在钉卷支撑板上。解开足够的钉子以达到进钉爪。将第一颗钉子放在驱动通道中，第二颗钉子放在进钉爪中。将其他未卷的钉子放在进钉盒中。在确认将钉卷正确放入钉盒中之后，关闭钉盒盖。（图 8）

### 连接输气软管（图 9）

将输气软管的气座滑到打钉机的输气头上。安装到输气头上时，确保气座锁紧到位。在工具上或其附近必须安装软管耦合器，以使输气耦合断开时可排掉储备的压力。

## 操作

### ⚠️注意:

- 在操作之前，确保所有安全系统都处在工作状态。

### 对于连续打钉模式

在按住杠子另一侧的按钮的同时，将杠子转到 III 位置。

（图 10 和 11）

- 要打钉，您可以将接触件压到作业件上并扣动扳机。
  - 先扣动扳机然后将接触件压到作业件上。
- 第一种方法用于间歇打钉，当您想仔细且非常精确地打钉时。第二种方法用于连续打钉。

### ⚠️注意:

- 操作没有钉子的工具将缩短工具的使用寿命，故应当避免。

### 对于顺序模式（间歇打钉模式）（图 12）

在按住杠子另一侧的按钮的同时，将杠子转到 II 位置。

要打钉，您可以将接触件压到作业件上并扣动扳机。

### ⚠️注意:

- 将扳机扣在半扣的位置，如果让接触件在后座力的影响下与作业件或其他表面重新接触，可能发生意外打钉。为避免发生意外打钉，请按如下操作：
  - 不要将接触件用力压在作业件上。
  - 将扳机扣到底并在打钉之后保持住 1 至 2 秒。
- 操作没有钉子的工具将缩短工具的使用寿命，故应当避免。

### 卡住的打钉机（图 13）

### ⚠️注意:

- 在清除卡住之前，务必断开输气软管并从钉盒去除钉子。

当打钉机卡住时，按以下进行操作：

打开钉盒盖并卸下钉卷。将一根小铁棒或类似物件插入弹出口并用铁锤敲击以从弹出口驱出卡钉。复位钉卷并关闭钉盒盖。

## 钉子

请小心操作钉卷及其钉盒。如果粗暴地对待钉卷，它们可能会变形或者其接头断裂，导致进钉效果差。（图 14）避免将钉子存储在非常潮湿或热的地方，或暴露在直射阳光下的地方。（图 15）

## 保养

### ⚠️注意:

- 在试图进行检查或保养之前，务必从本工具断开输气软管。
- 切勿使用汽油、挥发油、稀释剂、酒精或类似物品。否则可能导致变色、变形或裂纹。

### 打钉机的保养

在操作之前，务必检查工具整体情况及螺钉是否松动。必要时拧紧。（图 16）

工具断开连接时，进行日常检查以确保接触件和扳机可以自由移动。如果接触件或扳机卡住或绑定，请勿使用工具。（图 17）

长时间不使用本工具时，请使用气动工具机油润滑工具并将工具保存在安全的地方。避免暴露在直射阳光和 / 或潮湿或热的环境中。（图 18 和 19）

### 压缩机、气件和输气软管的保养

作业之后，务必排空压缩机箱和空气过滤器。如果让湿气进入工具，可能导致性能不良和造成工具故障。（图 20 和 21）

定期检查气件的加油器中是否有足够的气动机油。不能保持足够的润滑将导致 O 形环快速磨损。（图 22）

使输气软管远离热源（超过 60°C），远离化学品（稀释剂、强酸或强碱）。另外，将软管绕开障碍物，否则在作业中可能发生被扯到的危险。还需将软管绕开尖利的边缘和可能对软管造成损坏或磨损的区域。（图 23）

为保持产品安全可靠，维修、任何其他保养或调节应当由 Makita 授权的维修中心来进行，务必使用 Makita 的更换部件。

## 选购附件

### ⚠注意:

- 推荐将这些选购附件用于本说明书中规定的 Makita 工具。使用任何其他选购附件可能对人构成伤害危险。仅将选购附件用于其注明的用途。

如果您对有关这些选购附件的详情需要更多了解，请咨询本地的 Makita 维修中心。

- 钉子
- 输气软管
- 安全眼镜



1 압축 공기 공구 오일	8 탄창 덮개	15 전환 레버
2 조절기	9 코일 지지 판	16 망치
3 돌출부	10 눈금	17 작은 막대
4 구멍	11 공급기	18 배출 코크
5 노우즈 어댑터	12 에어 피팅	19 에어 필터
6 도어	13 에어 소켓	20 오일러
7 래치 레버	14 방아쇠	21 압축 공기 오일

사양

모델	AN902
공기 압력	0.49 – 0.83 MPa (4.9 – 8.3 바)
못 길이	코일 연결 못 45 mm – 90 mm
못 용량	150 – 300 개
최소 호스 직경	6.5 mm
압축 공기 공구 오일	터빈 오일
치수 (길이 x 폭 x 높이)	318 mm x 128 mm x 378 mm
순 중량	3.5 kg

- 당사의 끊임 없는 연구 개발 프로그램으로 인해 여기에 기재된 사양은 예고 없이 변경될 수 있습니다.
- 사양은 나라에 따라 다를 수 있습니다.
- EPTA 지침 01/2003 에 따른 중량

ENE059-1

용도

본 공구의 용도는 2" x 4" 하우징에서의 바닥 장선 고정이나 공용 서까래 및 프레임 작업 등과 같은 예비 인테리어 작업입니다.

ENB090-4

중요 안전 지침

**경고: 본 공구를 사용할 때는 부상의 위험을 줄이기 위해 다음과 같은 사항을 포함한 기본 안전 주의 사항을 반드시 준수해야 합니다.**

**모든 설명을 빠짐 없이 읽어 주십시오.**

- 안전 및 공구의 올바른 조작과 유지 보수를 위해 공구를 사용하기 전에 본 사용 설명서를 읽어 주십시오.
- 먼지 또는 못으로 인한 눈의 부상을 방지하기 위해 항상 보안경을 착용하여 주십시오.  
경고:  
고용자의 책임 하에 공구 작업자 및 작업 영역 내의 다른 사람들이 안전하게 눈을 보호하는 장구를 착용하도록 해야 합니다.
- 배기 음에 대해 청각을 보호하는 청각 보호 장구 및 머리 보호 장구를 착용하여 주십시오. 뿐만 아니라 가벼우면서도 험령하지 않은 작업복을 착용하여 주십시오. 소매는 버튼을 채우거나 위로 접어 주십시오. 넥타이는 절대로 착용하지 마십시오.
- 작업을 서두르거나 공구에 무리한 힘을 가하는 행위는 위험합니다. 공구를 조심스럽게 다루어 주십시오. 술을 마시거나 약을 복용한 상태에서는 공구를 다루지 마십시오.

일반적인 공구 취급 설명 :

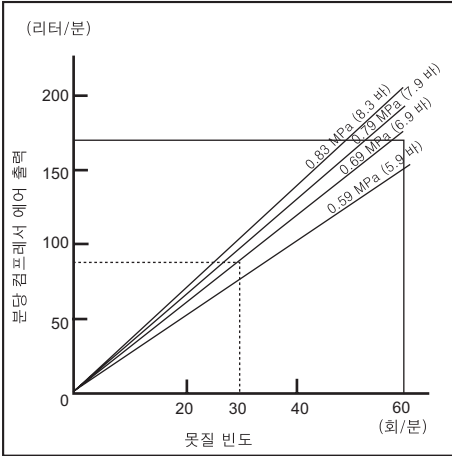
1. 공구에는 항상 못이 장전되어 있다는 생각을 가져 주십시오.
  2. 못이 장전되어 있는지에 관계 없이 자신 또는 타인에게 공구를 향하지 마십시오.
  3. 공구가 대상 소재에 확실하게 대어 있지 않는 한 공구를 작동하지 마십시오.
  4. 공구를 작업 기계라고 생각하여 주십시오.
  5. 위험한 장난을 치지 마십시오.
  6. 방아쇠에 손가락을 건 채로 공구를 휴대 또는 운반하지 마십시오.
  7. 조작 손잡이나 버튼 중 어느 하나라도 작동 시에는 못을 장전하지 마십시오.
  8. 공구 사용 / 안전 설명서에 지정된 것 이외의 전원을 사용하여 공구를 작동하지 마십시오.
- 제대로 작동하지 않는 공구는 사용해서는 안됩니다.
  - 공구 사용 시에는 스파크가 튀는 경우가 있습니다. 휘발유, 시너, 페인트, 가스, 접착제 등의 휘발성, 인화성 물질 근처에서는 발화 및 폭발로 인한 심각한 부상의 우려가 있으므로 공구를 사용하지 마십시오.
  - 안전한 작업을 위해 작업 영역은 충분한 조명에 갖추어져 있어야 합니다. 작업 영역은 탁 트이고 쓰레기가 없어야 합니다. 발을 잘 딛고 균형을 유지하도록 각별한 주의를 기울여 주십시오.
  - 작업에 관계된 사람과 주위에 있어야 합니다. 특히 어린이는 항상 멀리 떨어져 있도록 하여 주십시오.
  - 경우에 따라서는 소정의 한도 내에서 소음 레벨을 유지하도록 하는 소음을 관한 지역 규정이 있을 수 있습니다. 그러한 경우에는 소음을 차단하도록 서터를 사용해야 합니다.
  - 접촉부를 가지고 장난치지 마십시오. 우발적인 발사를 방지하므로 절대로 제거하지 말고 부착된 상태를 유지하여 주십시오. 방아쇠를 ON 위치로 고정해 놓는 것도 단면히 위험합니다. 절대로 방아쇠를 고정하려고 하지 마십시오. 공구 조작 손잡이나 버튼 중 어느 하나라도 작동하지 않거나, 분리되거나, 개조되거나 또는 제대로 작동하지 않을 때는 공구를 작동하지 마십시오.

- 안전 및 공구 수명 유지를 위해서는 0.49 – 0.83 MPa (4.9 – 8.3 바) 의 지정 공기 압력 내에서 공구를 작동하여 주십시오 . 권장 최대 작동 압력 0.83 MPa (8.3 바) 를 넘지 않도록 하여 주십시오 . 압력이 잠재적으로 1.37 MPa (13.7 바) 를 초과하는 기에 공구를 연결해서는 안됩니다 .
- 반드시 압축 공기 시스템에서 공급되는 압력이 못 구동 공구의 최대 허용 압력을 넘지 않도록 하여 주십시오 . 초기에는 공기 압력을 권장 허용 압력의 낮은 값에 설정하여 주십시오 ( 사양 참조) .
- 압축 공기 이외에는 절대로 공구에 사용하지 마십시오 . 병에 든 가스 ( 이산화탄소, 산소, 질소, 수소, 공기 등 ) 또는 가연성 가스 ( 수소, 프로판, 아세틸렌 등 ) 를 본 공구의 파워 소스로 사용하면 공구가 파열되어 심각한 부상을 초래할 수 있습니다 .
- 작업을 시작하기 전에 항상 공구의 전반적인 상태를 점검하고 나사 튜를 느슨하게 풀어 주십시오 . 그리고 나서 필요에 따라 조여 주십시오 .
- 작업을 시작하기 전에 모든 안전 시스템이 제대로 작동하는지 반드시 확인하여 주십시오 . 방아쇠를 당기거나 접촉 압을 나무에 대고 누르는 것만으로 공구가 작동해서는 안됩니다 . 두 동작이 함께 수행되었을 때만 공구가 작동해야 합니다 . 못을 장착하지 않고 푸셔가 완전히 당겨진 위치에서 가능한 오동작을 점검하여 주십시오 .
- 전선, 도관, 또는 가스관 등을 가격함으로 인한 모든 가능한 감전, 가스 누출, 폭발 등을 방지하기 위해 벽, 천장, 바닥, 지붕 등을 주의 깊게 점검하여 주십시오 .
- 본 설명서에 지정된 못만 사용하여 주십시오 . 다른 종류의 못을 사용하면 공구의 고장을 유발하는 원인이 될 수 있습니다 .
- “발판이나 사다리 위에서 사용하지 말 것” 라고 표기된 못 구동 공구는 다음과 같은 용도에서 사용하지 마십시오 .
  - 못질 위치 이동 시에 발판, 계단, 사다리, 또는 지붕 라스와 같은 사다리 구조를 사용하는 경우 .
  - 박스나 상자를 닫는 경우 .
  - 자동차나 수레 등에 교통 안전 시스템을 탑재하는 경우 .
- 훈련 받지 않은 사람이 공구를 사용하지 않도록 하여 주십시오 .
- 못질하기 전에 주위에 사람이 없는지 반드시 확인하여 주십시오 . 절대로 안쪽과 바깥쪽에서 동시에 못을 박지 마십시오 . 못이 뚫고 나오거나 튀어서 심각한 부상을 초래할 수 있습니다 .
- 발을 잘 딛고 공구와의 균형을 유지하여 주십시오 . 높은 곳에서 작업할 때는 밑에 아무도 없는지 확인하고 공기 호스를 갑자기 채거나 잡지 않도록 고정시켜 주십시오 .
- 지붕 위나 높은 곳에서는 앞으로 전진하면서 작업을 수행하여 주십시오 . 뒤로 물러서면서 작업하면 발을 헛디딜 수 있습니다 . 수직 면에 못질할 때는 위에서 아래로 작업을 수행하여 주십시오 . 그렇게 하면 덜 피로하게 못질 작업을 수행할 수 있습니다 .
- 잘못해서 다른 못 위로 못질하거나 나무의 마디를 치게 되면 못이 구부러지거나 공구가 막히게 되는 경우가 있습니다 . 못이 사람한테 튀거나 공구 자체가 위험하게 반응할 수 있습니다 . 못은 잘 보관하여 주십시오 .
- 장전된 공구 또는 압력이 가해진 에어 컴프레서를 햇빛 아래 장시간 두지 마십시오 . 공구를 두는 곳에 먼지, 모래, 가루, 이물 등이 공구에 들어가지 않도록 하여 주십시오 .
- 발사구를 주위 사람에게 향하지 마십시오 . 손과 발은 발사구 부위로부터 멀리 떨어지도록 하여 주십시오 .
- 공기 호스가 연결된 상태에서는 방아쇠에 손가락을 댄 채로 운반하거나 이 상태로 다른 사람에게 건네지 마십시오 . 우발적인 발사는 대단히 위험합니다 .
- 공구 내부가 고압으로 되어 있어 거친 취급 ( 떨어뜨리거나 충격을 가하는 등 ) 으로 인해 금이 가거나 하면 대단히 위험하므로 조심해서 공구를 다루 주십시오 . 공구를 깎거나 표면에 뭔가를 새기거나 하지 마십시오 .
- 공구 사용에 있어서 누군가가 잘못되거나 이상을 감지했을 때는 즉시 못질 작업을 중지하여 주십시오 .
- 다음과 같은 경우에는 항상 공기 호스를 분리하고 모든 못을 제거하여 주십시오 .
  1. 주위를 떠날 때 .
  2. 보수 또는 수리를 수행하기 전에 .
  3. 막힌 곳을 해결하기 전에 .
  4. 공구를 새로운 위치로 옮기기 전에 .
- 작업이 완료되면 즉시 청소와 보수를 수행하여 주십시오 . 공구를 최상의 상태로 유지하여 주십시오 . 녹을 방지하고 마찰로 인한 마모를 최소화하도록 가동부에 윤활유를 주입하여 주십시오 . 각 부분부터 모든 먼지를 제거하여 주십시오 .
- Makita 로부터의 허가 없이는 공구를 개조하지 마십시오 .
- 공구의 정기 점검에 관해서는 Makita 의 공인 서비스 센터에 문의하여 주십시오 .
- 제품의 안전 및 신뢰성을 유지하기 위해 보수 및 수리는 반드시 Makita 의 순정 부품을 사용하여 Makita 의 공인 서비스 센터에서 수행해야 합니다 .
- 본 설명서에 지정된 압축 공기 공구 오일만 사용하여 주십시오 .
- 공기 압력이 “사양” 표에 지정된 공구의 적정 공기 압력 범위를 10% 초과할 수 있는 압축 공기 라인에는 절대로 공구를 연결하지 마십시오 .
- 불필요하게 높은 소음 레벨, 마모 증가, 및 그로 인한 고장을 방지하기 위해 압축 공기로 작동하는 못 구동 공구는 당면 작업 처리에 필요한 최저 압력으로 작동해야 합니다 .
- 테이프 또는 와이어로 방아쇠나 접촉부를 누른 상태로 고정하지 마십시오 . 사망 또는 심각한 부상을 초래할 우려가 있습니다 .
- 항상 본 설명서의 지시대로 접촉부를 점검하여 주십시오 . 안전 기구가 제대로 작동하지 않으면 못이 우발적으로 발사될 수 있습니다 .

## 설명서를 잘 보관하여 주십시오 .

## 설치

### 컴프레서 선택



에어 컴프레서는 EN60335-2-34 의 요구를 만족해야 합니다.

충분한 압력을 가지고 비용 대 효과가 높게 공기를 출력하는 컴프레서를 선택하여 주십시오. 그래프는 못질 빈도, 적용 압력, 및 컴프레서 공기 출력 간의 관계를 보여줍니다.

그러므로, 예를 들어, 0.69 MPa (6.9 바) 의 압력으로 분당 약 30 회의 빈도로 못질을 하는 경우에는 80 리터 / 분을 초과하는 공기 출력의 컴프레서가 필요합니다.

공기 공급 압력이 공구의 정격 압력을 초과하는 경우 공기 압력을 공구의 정격 압력으로 제한하도록 압력 조절 장치를 사용해야 합니다. 그렇지 않으면 공구 작업자 또는 주위의 사람에게 심각한 부상을 초래할 수 있습니다.

### 공기 호스 선택 (그림 1)

효과적으로 연속해서 못질 작업을 수행하려면 가능한 한 굵고 짧은 공기 호스를 사용하여 주십시오. 공기 압력이 0.49 MPa (4.9 바) 인 경우 못질 간격이 0.5 초일 때 내경이 6.5 mm 이상이고 길이가 20 m 미만인 공기 호스를 사용하는 것이 좋습니다. 공기 공급 호스는 최소 작업 압력 정격이 1.03 MPa (10.3 바) 이거나 시스템 내에서 발생하는 최대 압력의 150 퍼센트 중에서 높은 값을 가져야 합니다.

### ⚠ 주의:

- 못질 빈도에 대해 낮은 공기 출력의 컴프레서 또는 길거나 직경이 작은 공기 호스를 사용하면 공구의 구동 능력이 저하되는 원인이 될 수 있습니다.

## 운행

최대의 성능을 발휘하기 위해서는 에어 세트 (오일러, 조절 장치, 에어 필터) 를 최대한 공구에 가깝게 설치하여 주십시오. 30 회의 못질마다 한 방울의 오일이 공급되도록 오일러를 조절하여 주십시오. (그림 2)

에어 세트를 사용하지 않는 경우에는 2 (두 방울) 또는 3 (세 방울) 의 압축 공기 공구 오일을 에어 피팅에 떨어뜨려 공구에 오일을 공급하여 주십시오. 사용 전 및 사용 후에 이 작업을 수행해야 합니다. 적절한 윤활을 위해서는 압축 공기 공구 오일 공급 후에 공구를 두세 번 발사해야 합니다. (그림 3)

## 기능 설명

### ⚠ 주의:

- 공구의 기능 조절 또는 점검 시에는 사전에 반드시 공기 호스를 분리하여 주십시오.

### 못질 깊이 조절 (그림 4)

못질 깊이를 조절하려면 조절기를 돌려 주십시오. 조절기를 그림의 A 방향으로 끝까지 돌리면 못질 깊이가 깊어집니다. 조절기를 B 방향으로 돌리면 못질 깊이가 얕아집니다. 조절기를 A 방향으로 끝까지 돌려도 못이 충분히 깊이 박히지 않을 때는 공기 압력을 높여 주십시오. 조절기를 B 방향으로 끝까지 돌려도 못이 깊게 박힐 때는 공기 압력을 낮춰 주십시오. 일반적으로 공기 압력을 낮게 하고 못질 깊이를 얕게 설정해서 공구를 사용하면 공구의 수명이 길어집니다.

### ⚠ 주의:

- 못질 깊이를 조절하기 전에 반드시 호스를 분리하여 주십시오.

### 노우즈 어댑터를 사용하여 주십시오 (그림 5)

### ⚠ 주의:

- 노우즈 어댑터를 설치 또는 제거하기 전에 반드시 호스를 분리하여 주십시오.

대상 소재의 표면을 보호하려면 접촉부의 노우즈 어댑터를 부착하여 주십시오. 대상 소재에 못질할 때는 노우즈 어댑터를 사용하여 주십시오. 접촉부에 노우즈 어댑터를 부착하려면 노우즈 어댑터 내부의 세 군데 돌출부가 접촉부의 세 군데 구멍에 들어맞도록 접촉부에 대고 눌러 주십시오.

## 조립

### ⚠ 주의:

- 공구에 대해 작업을 수행할 때는 반드시 사전에 공기 호스를 분리하여 주십시오.

### 못질기 로딩

작업에 적합한 못을 선택하여 주십시오. 래치 레버를 누르고 도어를 열어 주십시오. 그리고 나서 탄창 덮개를 열어 주십시오. (그림 6)

코일 지지판을 들어서 돌려서 코일 지지판에 표시된 못 크기 화살표가 탄창에 표시된 대응하는 눈금 간격을 가리키도록 하여 주십시오. 코일 지지판이 잘못된 간격을 가리키도록 설정해서 공구를 작동하면 못 공급 불량 또는 공구의 고장을 초래할 수 있습니다. (그림 7)

코일 지지판에 못 코일을 덮어 주십시오. 공급기에 달도록 못을 충분히 풀어 주십시오. 첫 번째 못을 구동 체널에 놓고 두 번째 못을 공급기에 놓아 주십시오. 다른 못은 공급기 몸체에 놓아 주십시오. 못 코일이 탄창 내에 적절하게 설치된 것을 확인하고 탄창 덮개를 닫아 주십시오. (그림 8)

### 공기 호스 연결 (그림 9)


공기 호스의 에어 소켓을 못질기의 에어 피팅에 대고 밀어 주십시오. 에어 피팅 위에 설치했을 때 반드시 공기 소켓이 제 위치에 확실하게 들어맞도록 하여 주십시오. 공기 공급 커플링이 분리되면 공기통이 배출되도록 호스 커플링을 공구 또는 근처에 설치해야 합니다.

## 조작

### ⚠주의:

- 작업을 시작하기 전에 모든 안전 시스템이 제대로 작동하는지 반드시 확인하여 주십시오.

### 연속 못질 모드

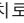
레버의 반대쪽 버튼을 누른 채로 레버를  위치로 돌려 주십시오. (그림 10 및 11)

1. 못을 박으려면 접촉부를 대상 소재에 대고 방아쇠를 당겨 주십시오.
  2. 방아쇠를 먼저 당기고 접촉부를 대상 소재에 대 주십시오.
- 첫 번째 방법은 주의해서 아주 정확하게 못을 박고자 할 때 간헐적인 못질을 위한 방법입니다. 두 번째 방법은 연속 못질을 위한 방법입니다.

### ⚠주의:

- 못이 없이 공구를 작동하면 공구의 수명이 짧아지므로 피해 주십시오.

### 순차 모드 (간헐 못질 모드) (그림 12)

레버의 반대쪽 버튼을 누른 채로 레버를  위치로 돌려 주십시오.  
못을 박으려면 접촉부를 대상 소재에 대고 방아쇠를 당겨 주십시오.

### ⚠주의:

- 방아쇠를 반쯤 당긴 상태에서 되감기의 영향으로 접촉부가 대상 소재 또는 그 밖의 면에 다시 닿게 되면 예상치 못한 못질이 발생할 수 있습니다. 이러한 예상치 못한 못질을 방지하려면 다음과 같이 수행하여 주십시오.
  - A. 과도한 힘을 가해 접촉부를 대상 소재에 대고 누르지 마십시오.
  - B. 방아쇠를 끝까지 당기고 못질 후에 1-2 초 정도 그대로 유지하여 주십시오.
- 못이 없이 공구를 작동하면 공구의 수명이 짧아지므로 피해 주십시오.

### 막힌 못질기 (그림 13)

### ⚠주의:

- 막힌 것을 제거할 때는 사전에 반드시 공기 호스를 분리하고 탄창으로부터 못을 제거하여 주십시오.

못질기가 막혔을 때는 다음과 같이 수행하여 주십시오. 탄창 덮개를 열고 못 코일을 제거하여 주십시오. 작은 막대 같은 것을 발사구에 넣고 망치로 두드려서 발사구로부터 막힌 못을 밀어내 주십시오. 못 코일을 다시 설치하고 탄창 덮개를 닫아 주십시오.

## 못

못 코일과 상자는 조심스럽게 다루어 주십시오. 못 코일을 거칠게 다루면 형상이 틀어지거나 커넥터가 파손되어 못 공급 불량 원인이 될 수 있습니다. (그림 14)  
대단히 습하거나 뜨거운 곳 또는 직사광선이 비치는 곳에 는 못을 보관하지 마십시오. (그림 15)

## 유지 보수

### ⚠주의:

- 점검 또는 보수를 수행할 때는 사전에 반드시 공기 호스를 분리하여 주십시오.
- 휘발유, 벤젠, 시너, 알코올 등은 절대로 사용하지 마십시오. 변색, 변형, 또는 갈라짐을 초래하는 원인이 될 수 있습니다.

### 못질기의 보수

작업을 시작하기 전에 항상 공구의 전반적인 상태를 점검하고 나사 류를 느슨하게 풀어 주십시오. 그리고 나서 필요에 따라 조여 주십시오. (그림 16)

공구를 분리한 상태로 접촉부와 방아쇠가 자유롭게 움직이는지 매일 점검을 수행하여 주십시오. 접촉부 또는 방아쇠가 뻑뻑하거나 걸렸을 때는 공구를 사용하지 마십시오. (그림 17)

공구를 장시간 사용하지 않을 때는 압축 공기 공구 오일을 주입하고 안전한 곳에 공구를 보관하여 주십시오. 직사광광 및 / 또는 습하거나 뜨거운 환경에의 노출은 피해 주십시오. (그림 18 및 19)

### 컴프레서, 에어 세트, 및 공기 호스의 보수

작업 후에는 항상 컴프레서 탱크와 에어 필터를 비워 주십시오. 공구에 습기가 차면 성능이 저하되거나 고장을 일으키는 원인이 될 수 있습니다. (그림 20 및 21)

에어 세트의 오일러 내에 충분한 압축 공기 오일이 들어 있는지 정기적으로 확인하여 주십시오. 충분한 윤활유를 유지하지 않으면 O 링이 빨리 마모될 수 있습니다. (그림 22)

공기 호스는 열 (60°C 이상), 화학 용제 (시너, 강한 산 또는 알칼리) 로부터 멀리 떨어져 주십시오. 뿐만 아니라 작동 중에 위험을 초래할 수 있는 장애물로부터 호스를 멀리 돌려 주십시오. 호스에 손상 또는 마모를 초래할 수 있는 날카로운 가장자리나 영역으로부터도 호스를 멀리 떨어지도록 해야 합니다. (그림 23)

제품의 안전 및 신뢰성을 유지하기 위해 보수, 수리, 또는 조절은 반드시 Makita 의 순정 부품을 사용해서 Makita 의 공인 서비스 센터에서 수행해야 합니다.

Makita Corporation

Anjo, Aichi, Japan