

# SPARE PARTS LIST

MODEL NO. DCS6401

ITEM	PART NO.	DESCRIPTION	QTY	NOTE
001	038310020	TUBULAR HANDLE ASSY.	1	
002	038310060	CLAMP	1	
003	908006145	FILLISTER HEAD SCREW 6X14	1	
004	913455204	FILLISTER HEAD SCREW 5.5X20	4	
005	038114600	TANK CPL. INC. 6-16	1	
006	957114060	AIR VALVE CPL.	1	
007	038114630	GRIP PLATE	1	
008	038117020	CATCH LEVER	1	
009	038117030	ROCKER	1	
010	038117010	THROTTLE LEVER	1	
011	038117050	SPRING	1	
012	935930240	CYLINDRICAL PIN 3X24	1	
013	935930280	CYLINDRICAL PIN 3X28	1	
014	010117040	BOWDEN CABLE	1	
015	913340204	SCREW 4X20	1	
016	038114050	FUEL LINE	1	
017	975001210	SHORT CIRCUIT SWITCH	1	
018	010114050	TANK CAP ASSY.(FUEL) INC. 19	1	
019	963228030	O-RING 28	1	
020	963601130	SUCTION HEAD(FUEL) INC. 21	1	
021	963601240	FELT	1	
022	038118620	COVER	1	
023	*****	*****	***	*****
024	038118630	BOTTOM INC. 25,26,31	1	
025	038118110	RUBBER FLAP	2	
026	938650062	RIVET	2	
027	038118080	ADJUSTING GUIDE	1	
028	038155050	CHOKE SHAFT	1	
029	038155020	CHOKE GUIDE	1	
030	965401020	RUBBER BUSH	1	
031	001118100	BUSHING	2	
032	038155050	CHOKE SHAFT	2	
033	908005205	FILLISTER HEAD SCREW M5X20	2	
034	001118100	BUSHING	2	
035	038111050	CLIP	2	
036	038111060	SQUARE NUT M5	2	
037	908204555	SCREW 4X55	2	
038	921804004	SQUARE NUT M4	2	
039	038155010	RETAINING CLIP	1	
040	038131030	INSERT FOR SUCTION HOSE	1	
041	038171041	FLANGE	1	
042	038131010	SUCTION HOSE	1	
043	965603050	CLAMP	1	
044	965452380	VENTILATION LINE	1	
045	038171010	CONNECTING MUFF	1	
046	038118690	HOOD CPL.	1	
047	038118140	INSERT	1	
048	038118130	CABLE GUIDE	1	
049	917105205	SCREW M5X20	2	
050	038171030	HOLDER	1	
051	038118100	PLUG	1	
052	038118071	STEEL CLIP	2	
053	038174200	MUFFLER	1	
054	965531130	GASKET	1	
055	038174020	COVER PLATE	1	
056	038174030	CONNECTING LINK	1	
057	908305405	SCREW M5X40	1	

# SPARE PARTS LIST

MODEL NO. DCS6401

ITEM	PART NO.	DESCRIPTION	QTY	NOTE
058	908405205	SCREW 5X20	2	
059	040130030	CYLINDER/PISTON CPL.47MM DECO INC. 60	1	
060	325132031	PISTON CPL.47MM INC. 61-63	1	
061	325132050	PISTON RING 47MM	1	
062	119132030	PISTON PIN	1	
063	119132060	SPRING RING	2	
064	001131150	DECOMPLESSION VALVE	1	
065	908005205	FILLISTER HEAD SCREW M5X20	4	
066	038114150	SPRING WITH THREADED INSERT	1	
067	965531121	GASKET	1	
068	038120020	CRANKSHAFT CPL.	1	
069	962210019	NEEDLE CAGE	1	
070	960102159	BALL BAERING 6202	1	
071	960102179	BALL BEARING 6203	1	
072	038111630	CRANKCASE MAGNET SIDE INC. 70	1	
073	038111640	CRANKCASE CLUTCH SIDE INC. 71	1	
074	038250020	SPIKE BAR	1	
075	038111080	CHAIN CATCH	1	
076	908005165	FILLISTER HEAD SCREW M5X16	1	
077	010114050	TANK CAP ASSY.(FUEL) INC. 78	1	
078	963228030	O-RING 28	1	
079	962900052	RADIAL RING	1	
080	962900061	RADIAL RING	1	
081	038114130	SPRING CPL.WITH CAP	1	
082	913455204	FILLISTER HEAD SCREW 5.5X20	1	
083	038114130	SPRING CPL.WITH CAP	1	
084	038114190	POT	1	
085	913455204	FILLISTER HEAD SCREW 5.5X20	1	
086	038114140	SPRING CPL.WITH CAP	1	
087	908005305	FILLSTER HEAD SCREW M5X30	6	
088	936430160	SPIRAL CLAMPING PIN	2	
089	038111042	GASKET	1	
090	934660250	SLOTTED PIN 6X24	1	
091	908005125	FILLISTER HEAD SCREW M5X12	1	
092	010245030	VENT VALVE	1	
093	038232010	BOLT	2	
094	038160600	STARTER ASSY. INC. 95-103	1	
095	928405000	SPRING WASHER	1	
096	038112630	FAN HOUSING	1	
097	001161010	STARTER GRIP	1	
098	*****	*****	***	*****
099	908605205	SCREW M5X20	3	
100	038162050	SPACER	1	
101	038162021	CABLE DRUM CPL.	1	
102	924605510	WASHER 5.5/18X1.6	1	
103	913455204	FILLISTER HEAD SCREW 5.5X20	1	
104	908114835	LABEL DCS6401	1	
105	038112020	AIR DUCT	1	
106	970502110	INSULATING HOSE	1	
107	038143020	IGNITION COIL INC. 108	1	
108	038143030	CABLE HARNESS	1	
109	957604240	SPARK PLUG CAP CPL.	1	
110	965603021	SPARK PLUG BPMR7A	1	
111	965401011	RUBBER BUSHING	1	

# SPARE PARTS LIST

MODEL NO. DCS6401

ITEM	PART NO.	DESCRIPTION	QTY	NOTE
112	970311540	EARTH CABLE	1	
113	915135100	THREAD FORMING SCREW 3.5X9.5	1	
114	908304205	SCREW M4X20	2	
115	038111110	CLIP	2	
116	038141000	FLYWHEEL ASSY. INC. 117	1	
117	108166051	STARTER RATCHET ASSY.	2	
118	926208001	SPRING WASHER 8	1	
119	920208024	HEXAGONALNUT M8X1	1	
120	038245010	OIL PUMP CPL. INC. 121,124	1	
121	030245070	REPAIR KIT CPL.	1	
122	001245140	ANGULAR NIPPLE	1	
123	038245110	OIL LINE	1	
124	038245030	PUMP DRIVE	1	
125	908005125	FILLISTER HEAD SCREW M5X12	2	
126	038224020	DISC	1	
127	038245060	OIL LINE	1	
128	038245020	SUCTION LINE OIL CPL. INC. 122,123,129,130	1	
129	900005066	DISTANCE RING	1	
130	963601100	SCREEN	1	
131	001182041	GUIDE DISC	1	
132	038180010	CLUTCH ASSY.	1	
133	024184021	TENSION SPRING INC. 140	3	
134	038223020	CLUTCH DRUM	1	
135	962210024	NEEDLE CAGE	1	
136	119224070	RIM SPROCKET	1	
137	001224011	DISC	1	
138	021224010	SHIM	1	
139	927408000	WASHER	1	
140	038213220	HAND GUARD CPL. INC. 141	1	
141	980114237	LABEL	1	
142	908405205	SCREW 5X20	1	
143	038213160	BUSHING	1	
144	957213030	BREAKING MECHANISM INC. 145	1	
145	927304000	SAFETY WASHER	1	
146	908005206	SCREW 5X20	1	
147	038213150	POT	1	
148	038213130	SPRING	1	
149	038213200	FORM SPONGE	1	
150	038213010	BREAK SPRING	1	
151	915135100	THREAD FORMING SCREW 3.5X9.5	1	
152	038213040	PLATE	1	
153	915135100	THREAD FORMING SCREW 3.5X9.5	1	
154	038111030	GUIDE PLATE	1	
155	915135100	THREAD FORMING SCREW 3.5X9.5	1	
156	038213600	SPROCKET GUARD CPL. INC. 157-160,167,168	1	
157	038213635	SPROCKET GUARD	1	
158	980114784	MAKITA LABEL	1	
159	038213190	CHIP GUIDE	1	
160	957213020	CHAIN TENSIONER CPL. INC. 162,164-166	1	
161	038213080	BUSHING	1	
162	038213210	SPRING WASHER	2	
163	028213010	WASHER 12X9	1	
164	038213120	TENSIONING SCREW 12X9	1	

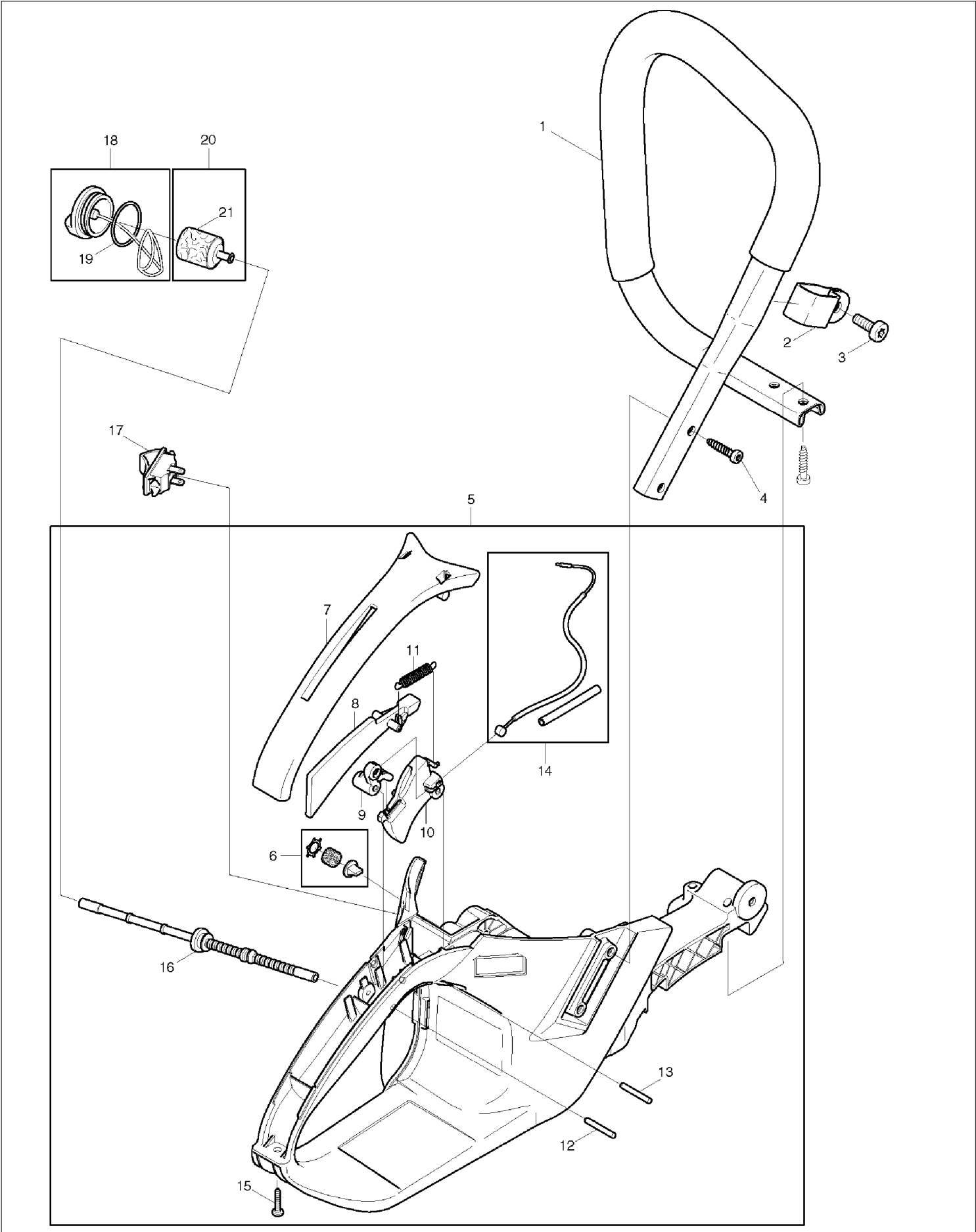
# SPARE PARTS LIST

MODEL NO. DCS6401

ITEM	PART NO.	DESCRIPTION	QTY	NOTE
165	038213090	TENSIONING NUT	1	
166	038213070	TENSIONING SCREW BEARING	1	
167	915135100	THREAD FORMING SCREW 3.5X9.5	1	
168	024213240	CHAIN GUIDE	1	
169	923208004	HEXAGONAL NUT M8	2	
170	957250060	SPIKE BAR	1	
171	908005125	FILLISTER HEAD SCREW M5X12	2	
172	920405000	HEXAGONAL NUT M5	2	
173	038153010	CARBURETOR INC. 174-178,180-189	1	
174	038153030	PUMP COVER	1	
175	038153360	SCREW	1	
176	038153040	DIAPHRAGM COVER	1	
177	001153020	SCREW	4	
178	038153060	SET DIAPHRAGM / GASKETS INC. 179	1	
179	038153070	PUMP DIAPHRAGM	1	
180	038153210	LOCKING BALL	1	
181	038153220	IDLE STOP SCREW	1	
182	028153180	SCREEN	1	
183	957153060	KIT THROTTLE SHAFT	1	
184	957153050	KIT CHOKE SHAFT	1	
185	957153070	CONTROL PARTS	1	
186	038153260	SPRING	2	
187	038153230	IDLE ADJUSTMENT SCREW	1	
188	038153240	MAIN ADJUSTMENT SCREW	1	
189	038153270	RUBBER RING	1	
190	*****	*****	***	*****
191	*****	*****	***	*****
A01	*****	*****	***	*****
A02	940827000	ANGLED SCREW DRIVER	1	
A03	941719131	UNIVERSAL WRENCH	1	
A04	944340001	SCREW DRIVER	1	
A05	950004001	PLASTIC BAG	1	

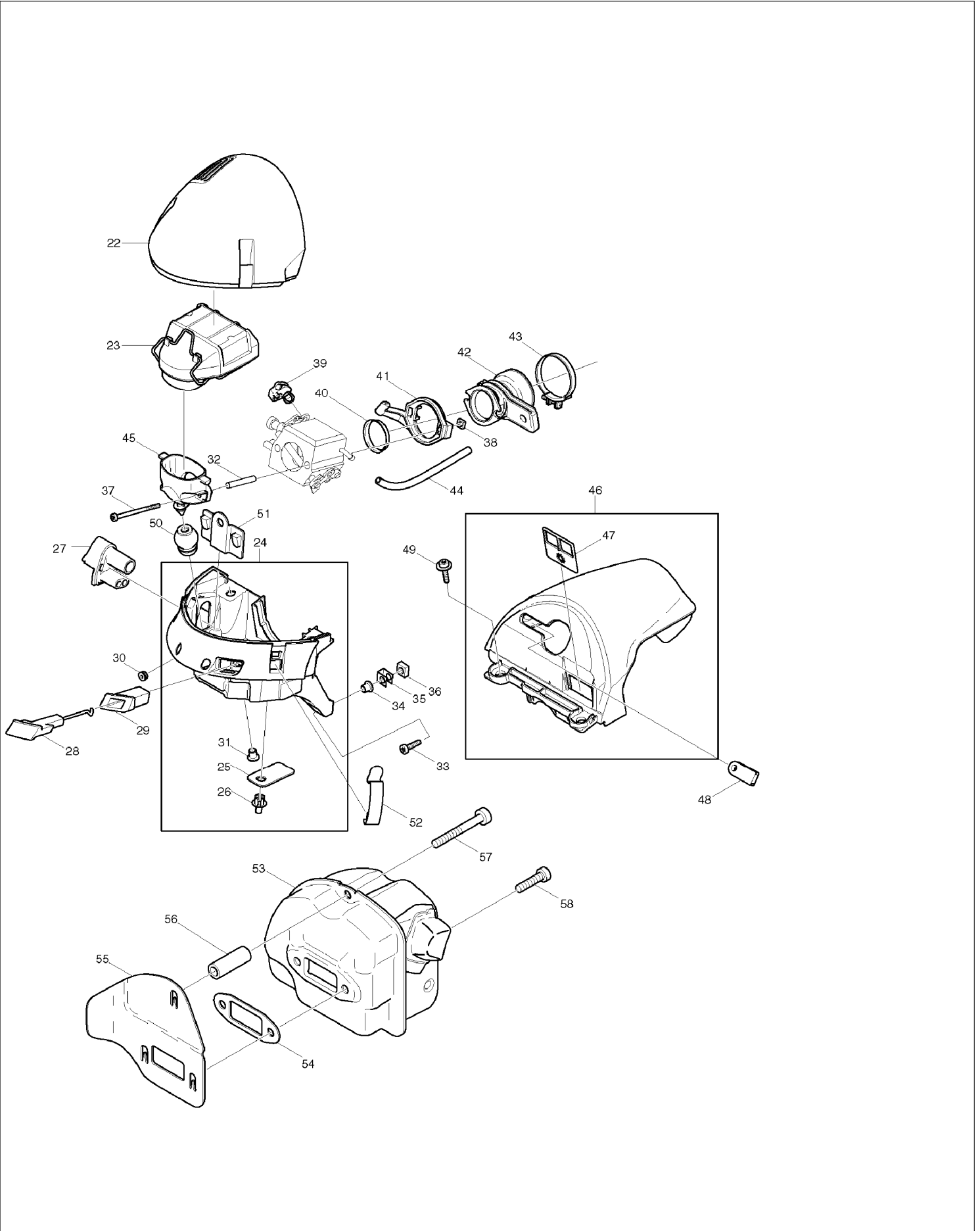
# SERVICE DRAWING

MODEL NO. DCS6401



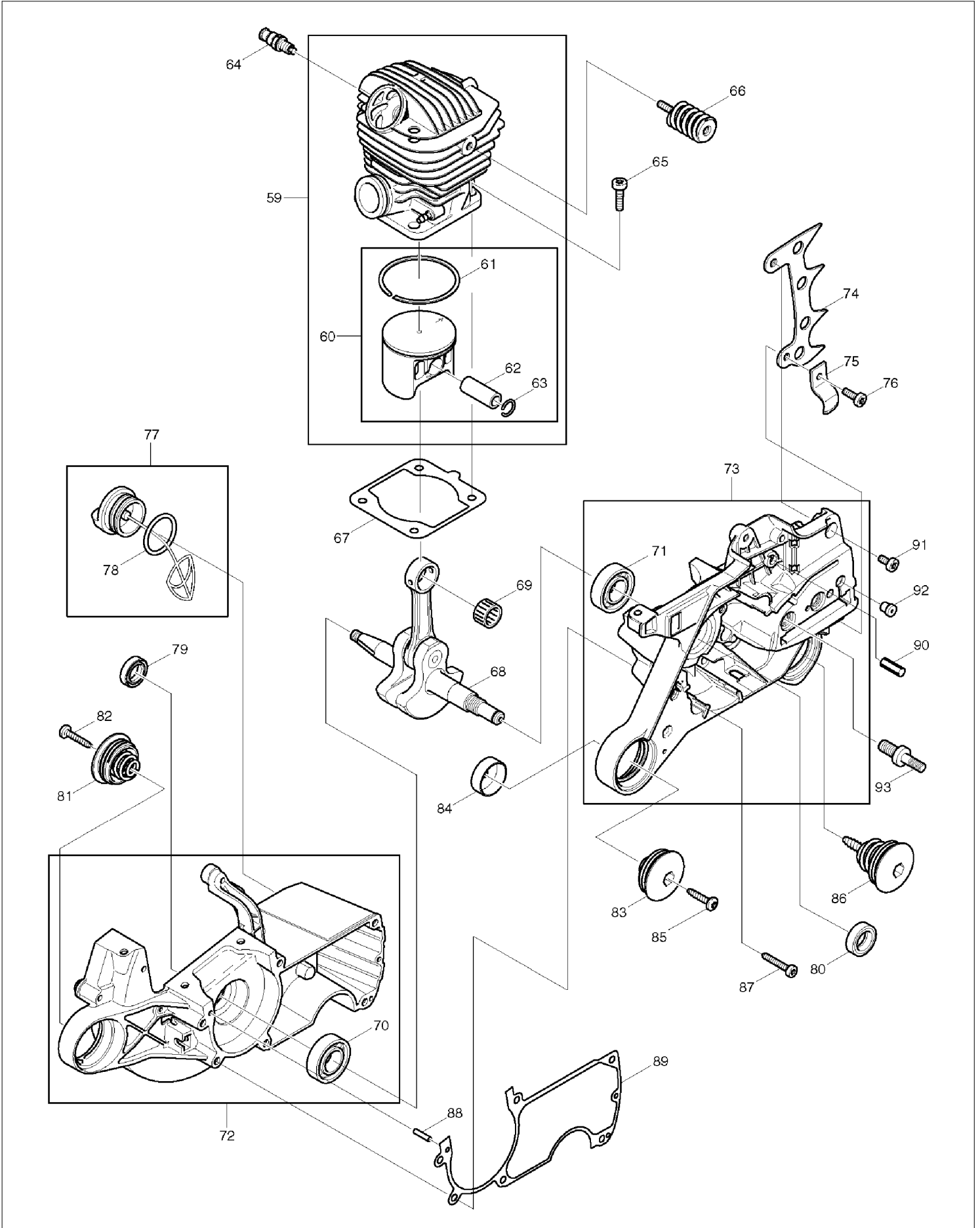
# SERVICE DRAWING

MODEL NO. DCS6401



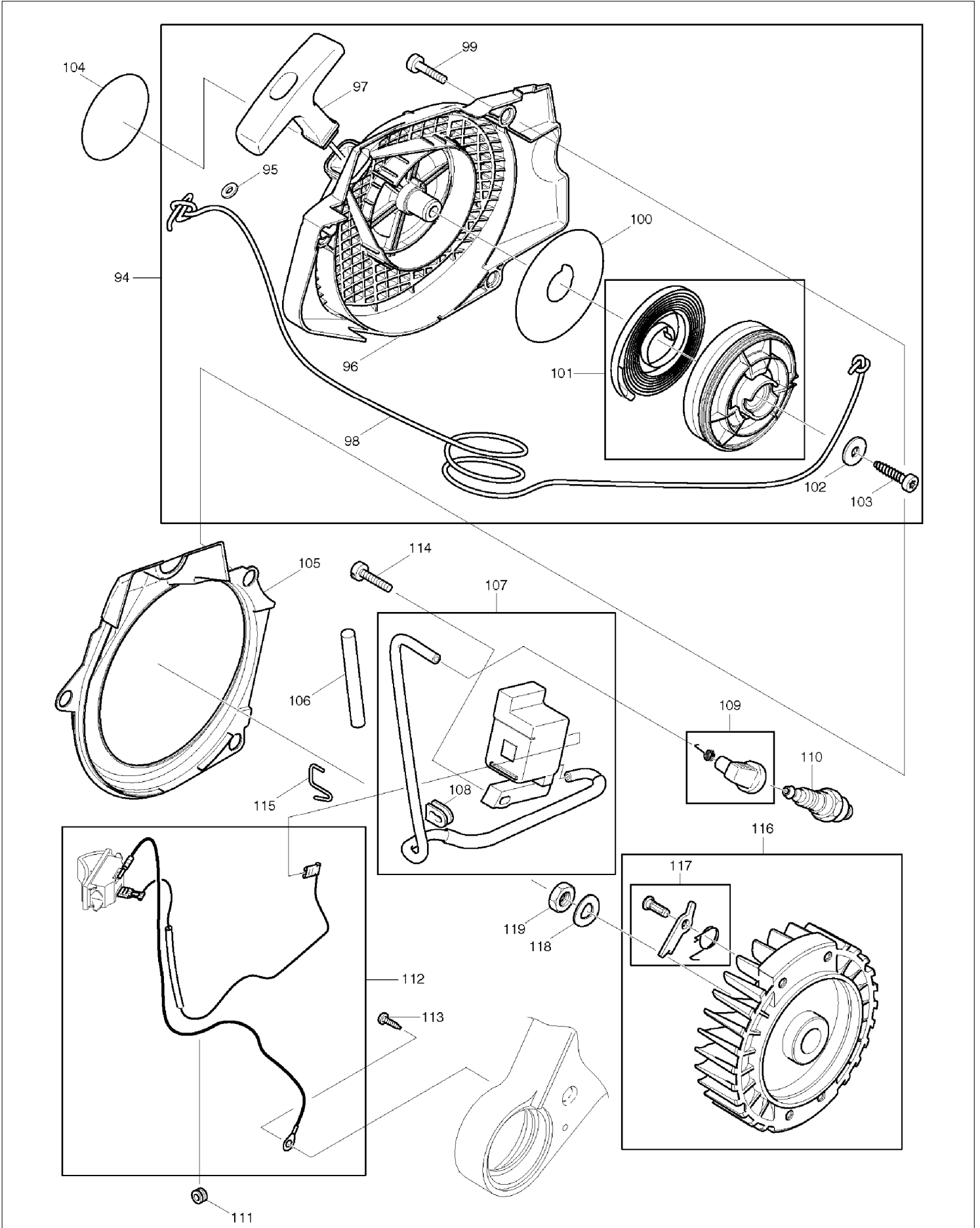
# SERVICE DRAWING

MODEL NO. DCS6401



# SERVICE DRAWING

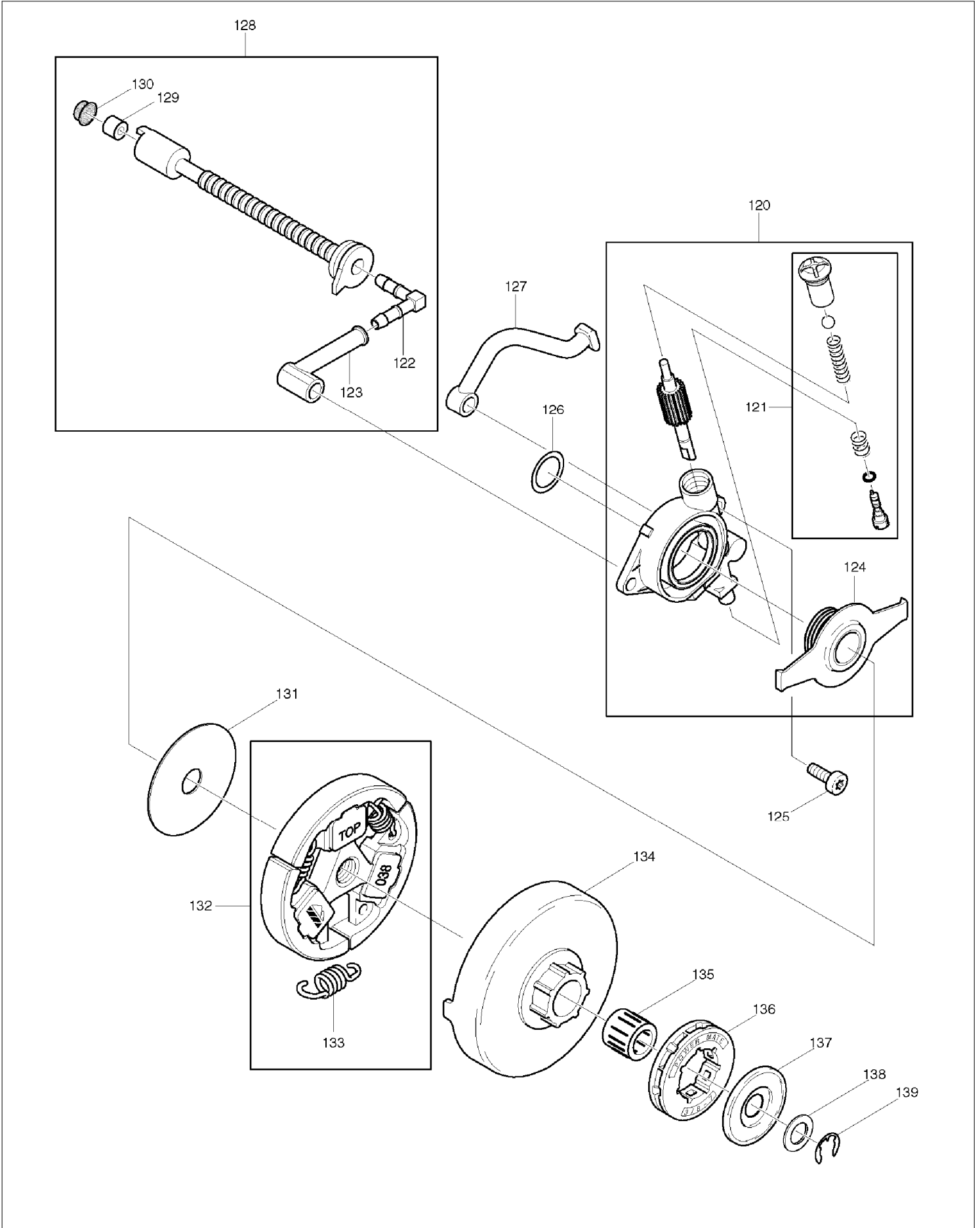
MODEL NO. DCS6401





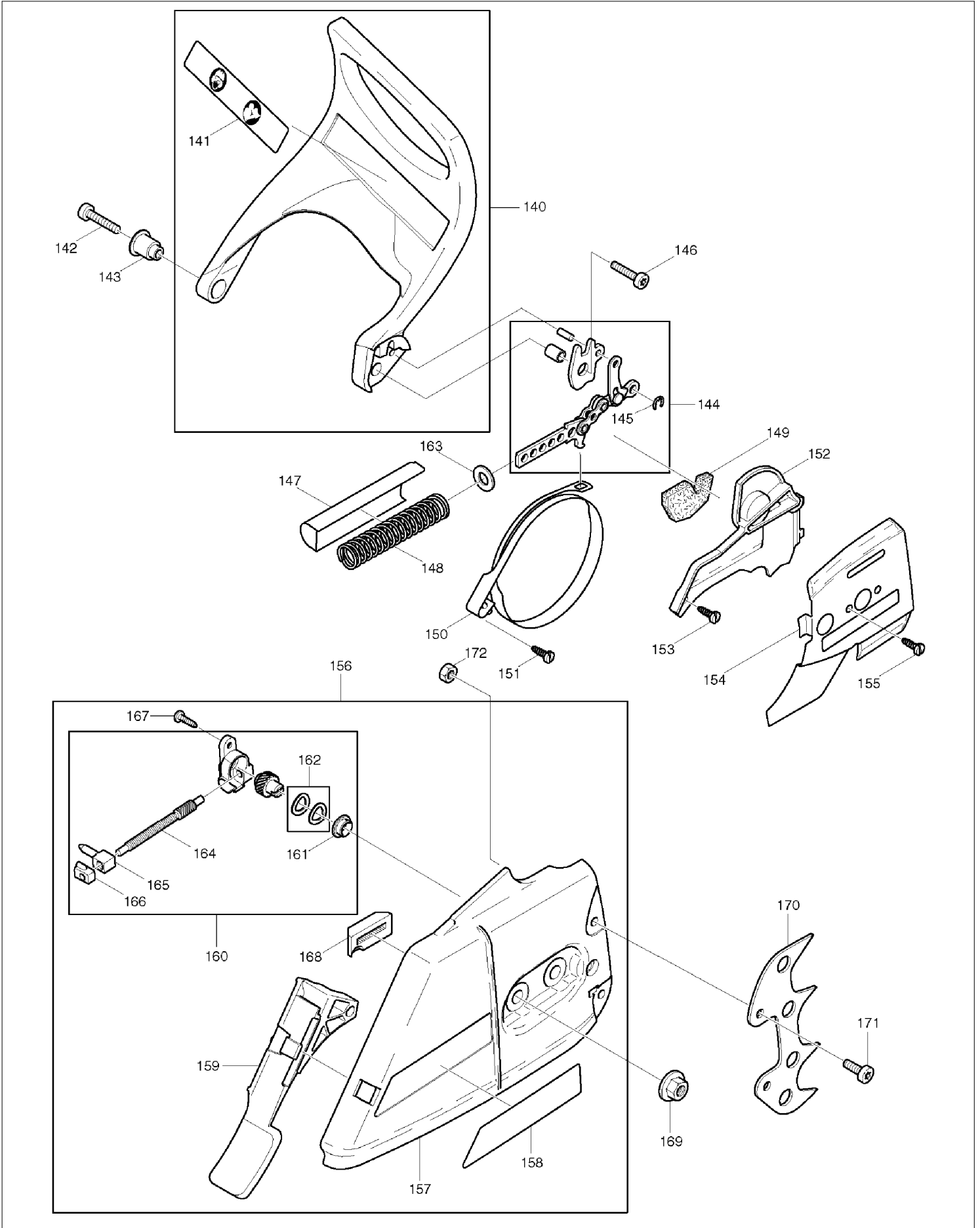
# SERVICE DRAWING

MODEL NO. DCS6401



# SERVICE DRAWING

MODEL NO. DCS6401



# SERVICE DRAWING

MODEL NO. DCS6401

