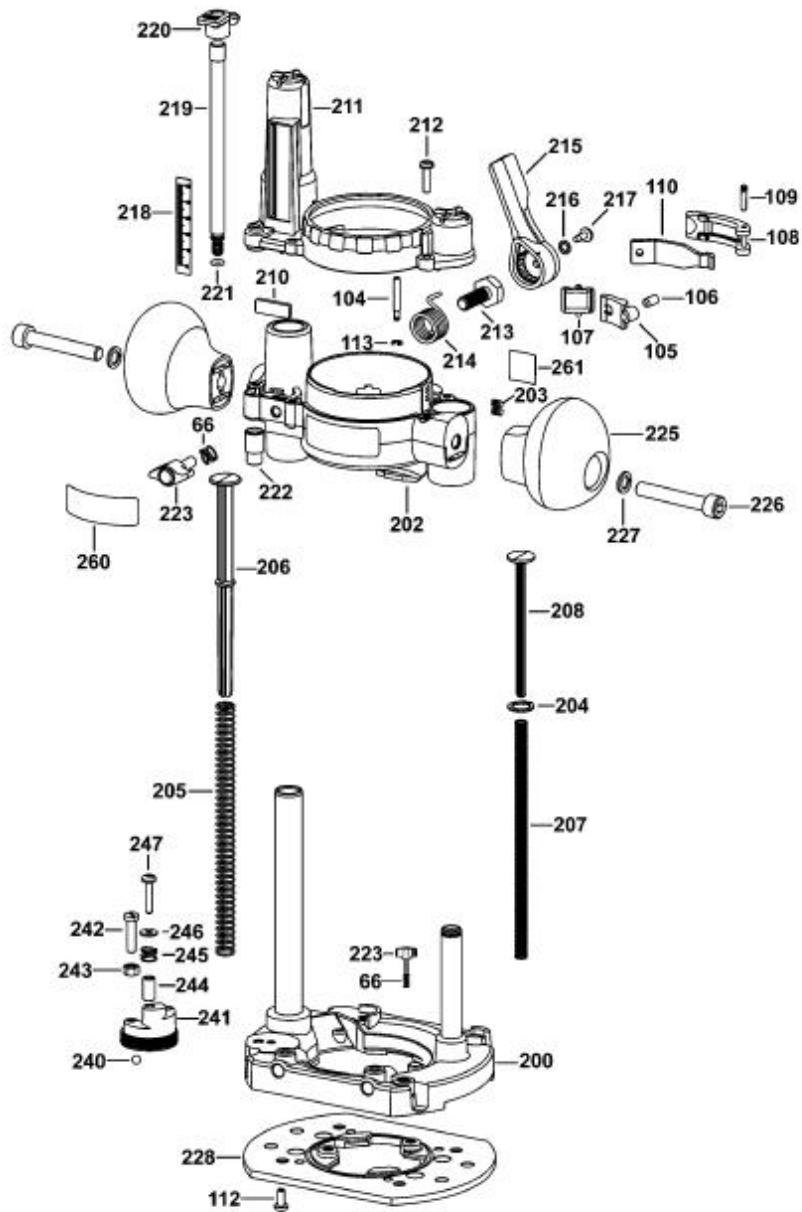


ROUTER ATTACH

D26203K

TYPE 1

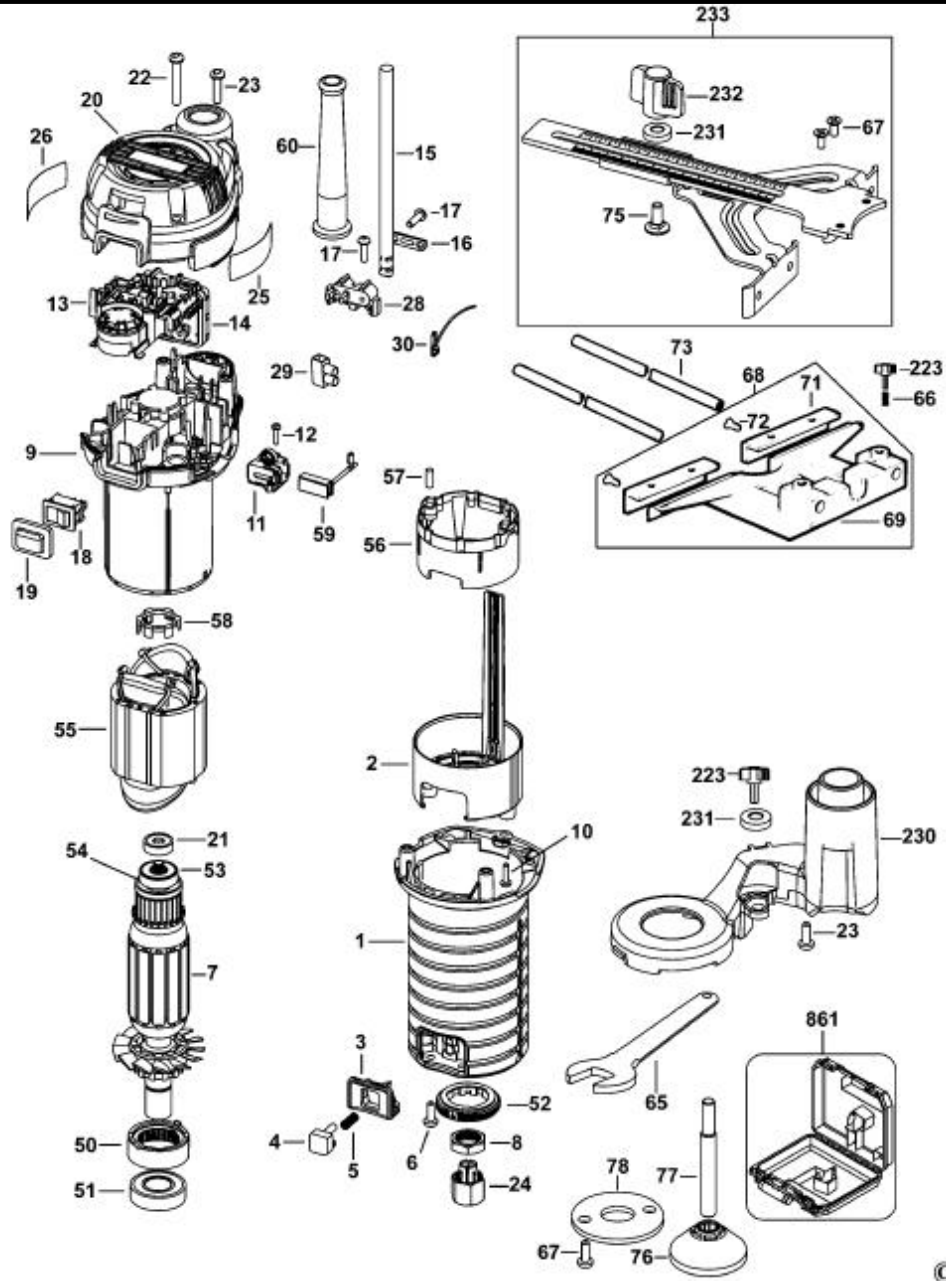


E16222.tif

ROUTER ATTACH

D26203K

TYPE 1



E16221.tif