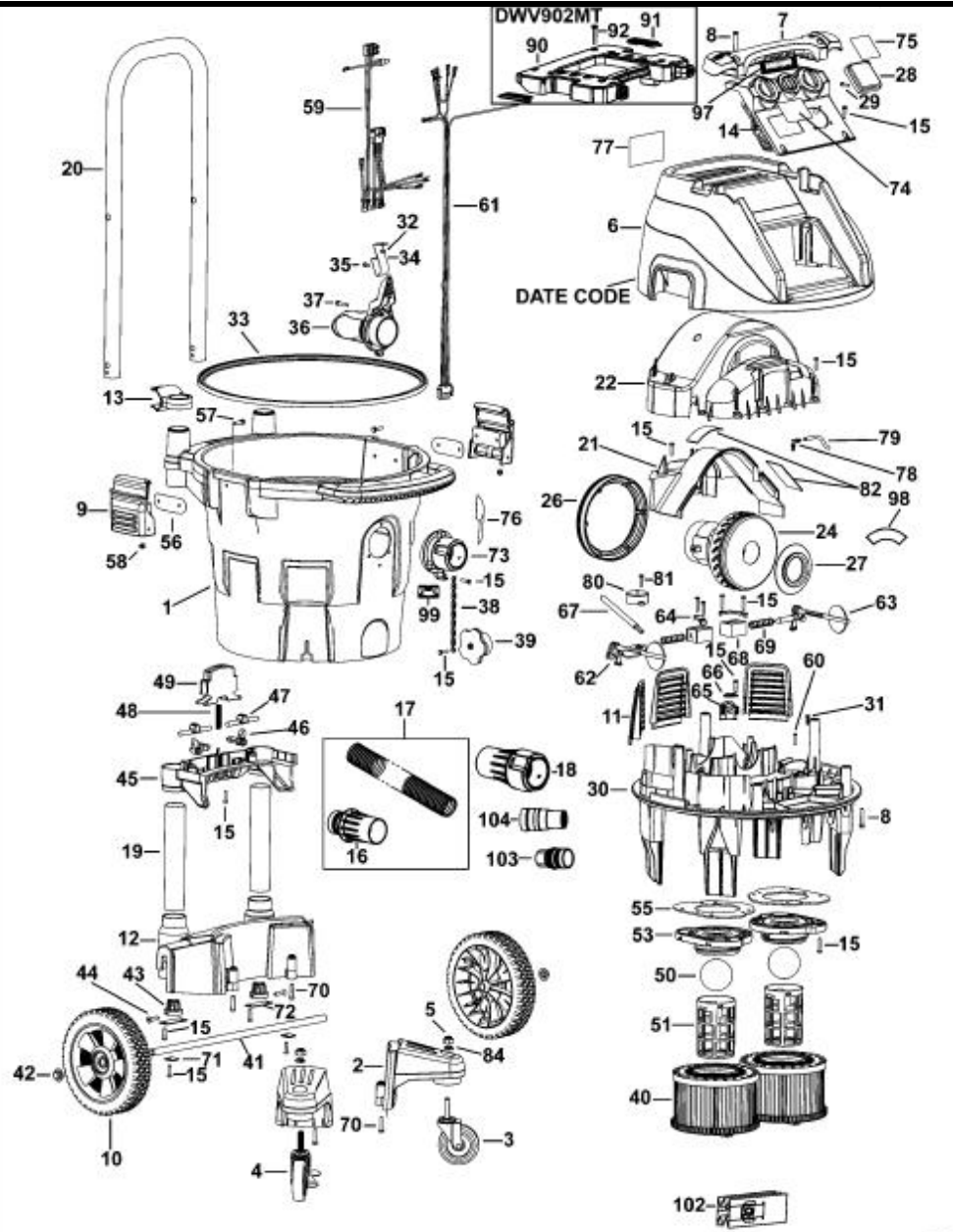


# DUST EXTRACTOR

# DWV902M

# TYPE 2



E17293.tif